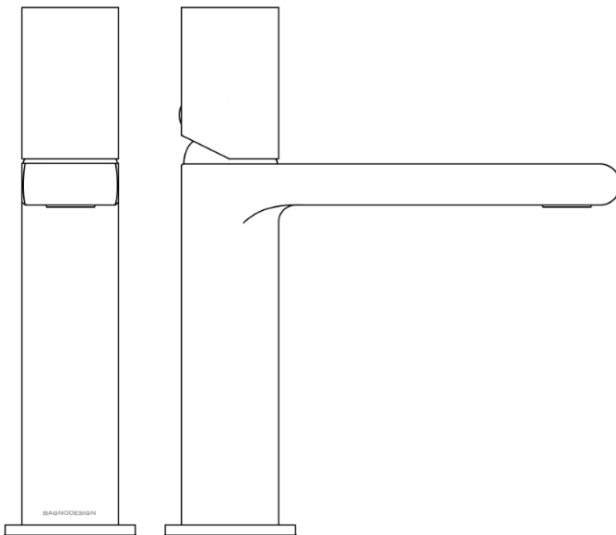


BAGNODESIGN

EXPERTLY CRAFTED BATHROOMS

General Installation Guide



Toko

MODELS COVERED:

- MONO BASIN MIXER W/PUW
- MONO SMOOTH BODIED BASIN MIXER
- TALL SMOOTH BODIED BASIN MIXER
- BIDET MIXER W/PUW
- CONCEALED BASIN MIXER
- 4 HOLE DECK MOUNTED BATH MIXER W/O HANDSHOWER

Please leave these instructions with the customer

IMPORTANT PLEASE READ

All products manufactured and supplied by BAGNODESIGN are fit for purpose as long as they are Installed, used correctly, cleaned and receive regular maintenance in accordance with these instructions...

Remove all packaging and check the product for damage or missing parts before commencing with the installation.

Any alterations made to this product and its components may infringe product certification, infringe water regulations and invalidate the guarantee. The Installation must comply with all local/national water supply authority regulations/byelaws and building and plumbing regulations, therefore we strongly recommend that your product be installed by a reputable qualified trade's person.

PRODUCT LIFECYCLE

"The product lifecycle is the collective stages that a product goes through from its conception and design through to its ultimate disposal."

DISPOSAL GUIDANCE

The best way to ensure your Product has a long life is to follow the Care and Maintenance guides set by the Manufacture after purchase. This document can be found at www.bagnodesignlondon.com. The lifecycle of the product is not in correlation to the product Guarantee; the standards the products are manufactured or certified to (e.g. CE & WRAS) can exceed past the Guarantee duration. After the lifecycle of the product is deemed complete by the end-user please follow the below to dispose of the items correctly...

Mixers (Taps):

If the mixers are no longer accepted due to mechanical use or aesthetic style, these can be disposed of at a registered Local Authority waste recycling centre where the individual components can be sorted.

CLEANING CARE GUIDE

Only use a mild soap and water for cleaning.
Rinse with water to remove the mild soap solution.
We recommend the product is dried using a soft cloth after every use.

Never use any abrasive or strong cleaning products containing, bleaches, acids (hydrochloric, formic, phosphorus, chlorine or acetic), strong detergents, limescale remover, alcohol or dyes etc.

Never use abrasive cleaning pads, wire wool or microfibre cloths.

Never use cleaning equipment that may have been pre-used and contaminated with the above substances.

Never apply the cleaning product directly onto the finished surface.



GENERAL INSTALLATION:

To the installer, please read and follow these instructions carefully, as the guarantee is only valid if the product is installed as directed.

Don't rush, read the instructions first and run through them before you begin, keep the fittings together to avoid loss, do not overtighten screws or bolts.

If the product is covered with polythene protective film, do not remove until the installation is complete to grant maximum protection. However, remove film where any two surfaces will be in permanent contact. If tools are required to be used on a 'finished' surface, please place a cloth or similar over the area to protect the item from unnecessary scratching.

Before making any inlet pipe connections, all supply pipes **MUST** be flushed to remove debris such as solder, swarf, plastics and other building/construction substances.

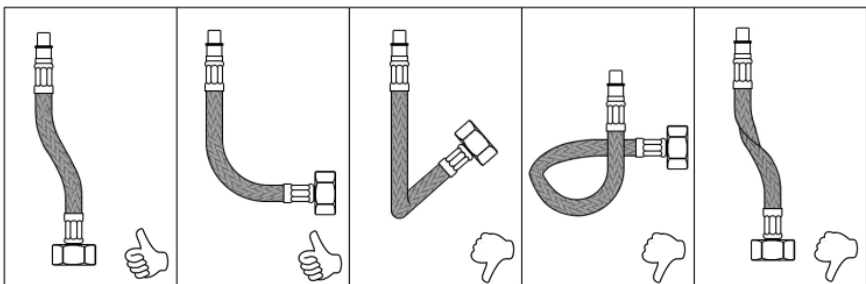
The fitting of an in-line filter is recommended, failure to do this could result in damage to the cartridge and its components, it could also result in poor performance water flow from the outlet.

The fitting of isolation/stop valves on the inlet feeds is advised for ease of maintenance.

On fittings such as faceplates a small amount of lubrication is recommended on the rubber seals for ease of fitting.

CONNECTIONS:

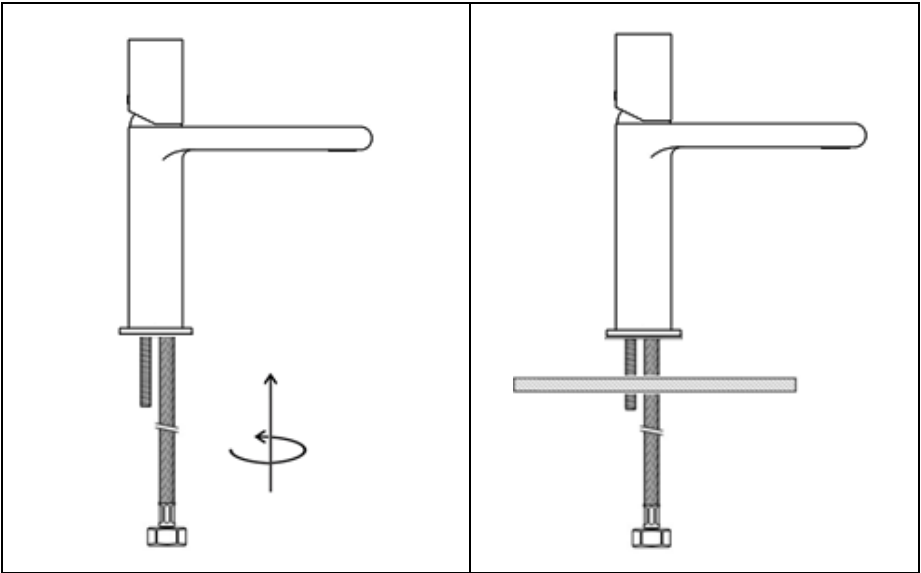
Flexible inlet pipes must be connected carefully to the plumbing system so that they do not **bend, twist or kink**. Failure to do so can result in poor performance from the mixer and possible failure of the hose leading to bursting and leakage.



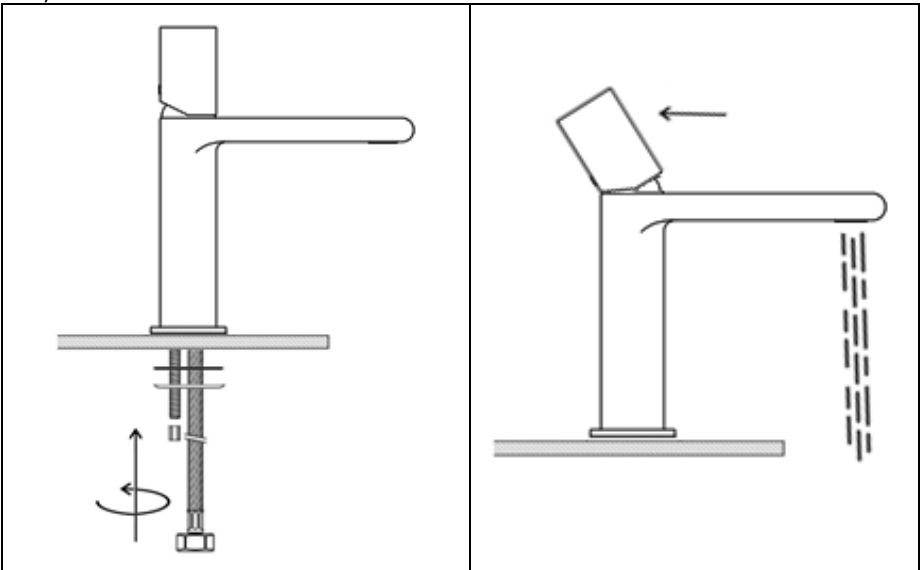
Pipework to concealed mixers must be installed in accordance to local regulations and is recommended to be insulated to prevent heat loss, prevent freezing and reduce condensation.

Hot and cold operating pressures should be kept as balanced as possible in order to maintain maximum efficiency.

MONO BASIN MIXER W/PUW
 MONO SMOOTH BODIED BASIN MIXER
 TALL SMOOTH BODIED BASIN MIXER
 BIDET MIXER W/PUW

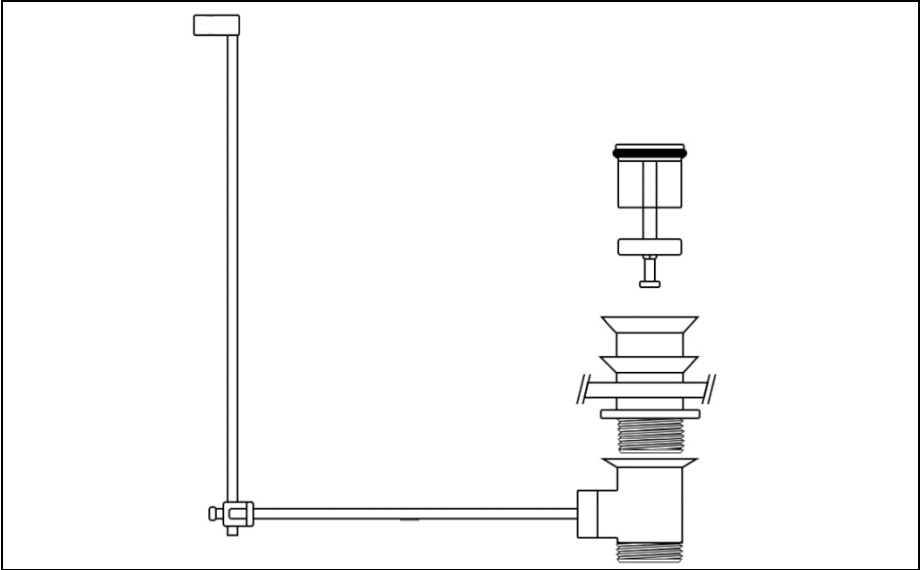


Install the threaded rod and **hand-tighten** the flexi-pipes into the bottom of the mixer body. Feed the assembly through the hole in the basin/countertop.



Slide the rubber 'C' washer followed by the metal 'C' washer and tighten the back nuts with a spanner to secure the mixer. Flush the pipework then, connect the flexi-pipes to the isolation valves, Turn on the water, run the tap and check for leaks.

POP-UP WASTE ASSEMBLY (PUW)

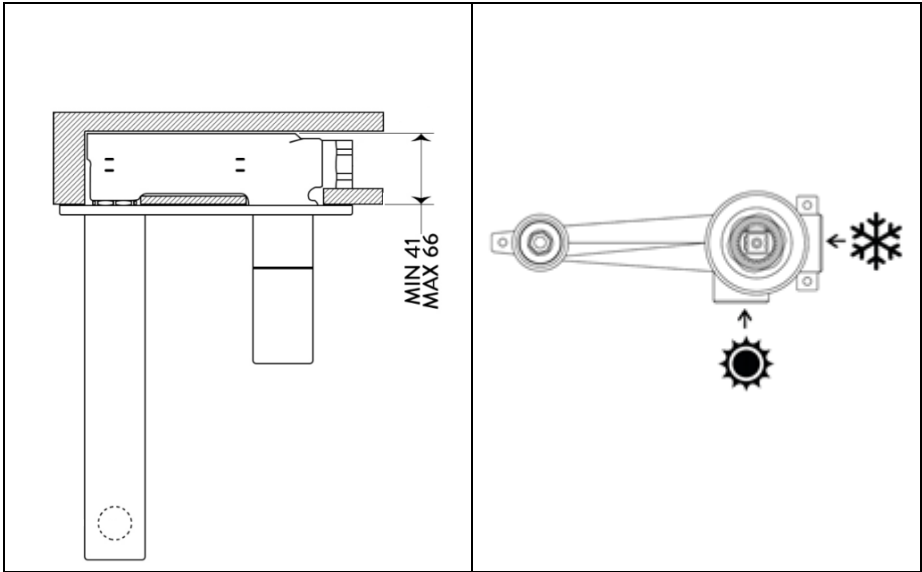


Install the waste ensuring that the foam washer is in between the waste and the basin on the top portion of the waste, the rubber washer is to be placed under the basin before the bottom part of the waste is connected and tightened up.

Insert the vertical pop up rod into the mixer body and connect to the horizontal rod on the waste body using the connector provided. Slide down push rod into rod link then push both rods down to the furthest point and tighten.

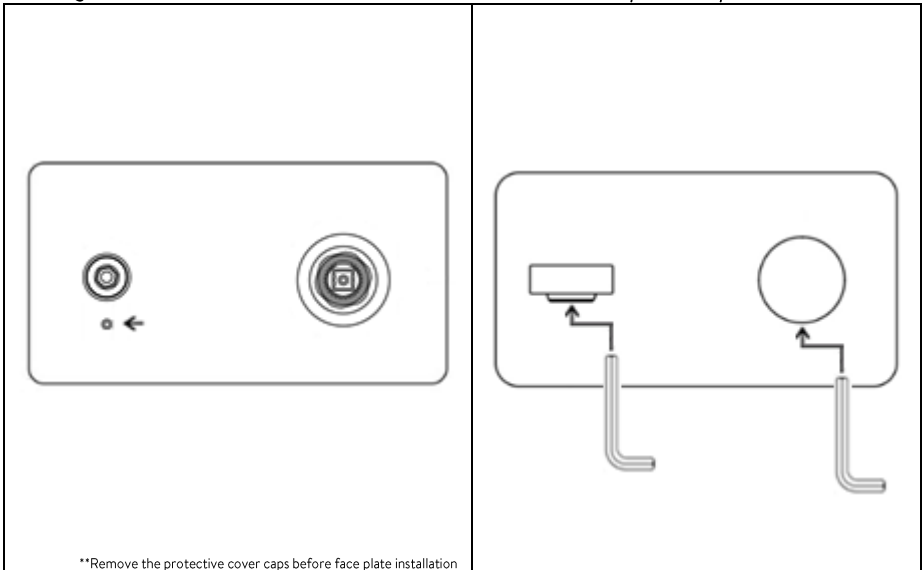
Adjust the plunger by screwing in/out to suit the depth required, secure with the backnut.

CONCEALED BASIN MIXER



Install the concealed part at a depth so that the finished surface is between the Min/Max markings shown above.

Install the **cold** water supply from the right and the **hot** water supply from underneath (if possible pressure test).

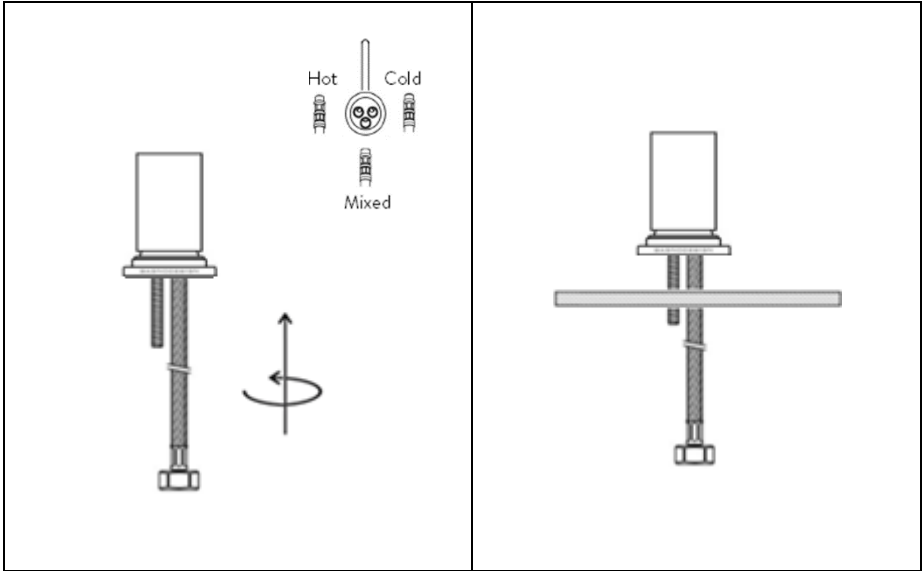


**Remove the protective cover caps before face plate installation

Apply the surrounding finishes, fit the face-plate onto the valve body and secure by installing the face plate screw.

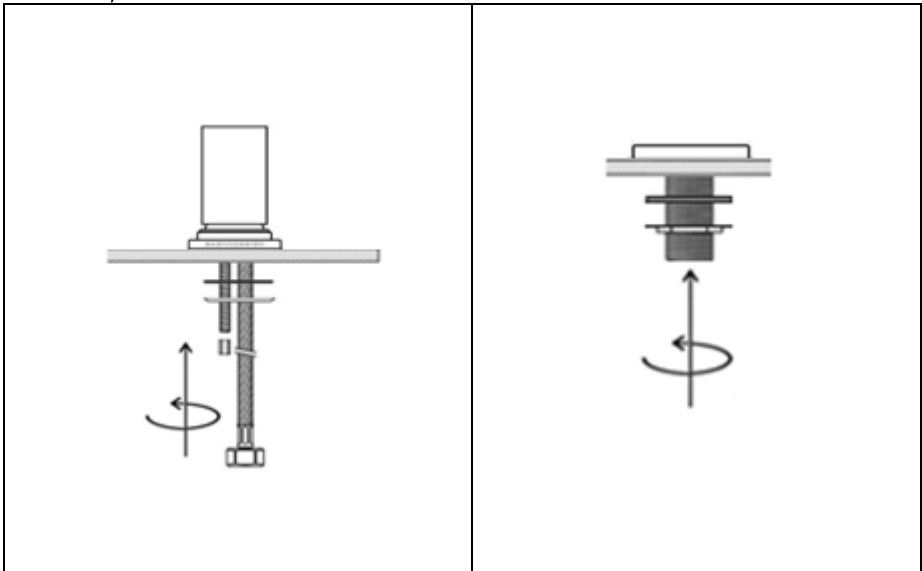
Install the handle and spout secure by tightening the grub screws. Turn on the water and test the mixer.

4 HOLE DECK MOUNTED BATH MIXER



Install the threaded rod and **hand-tighten** the 3 flexi-pipes into the bottom of the mixer body.

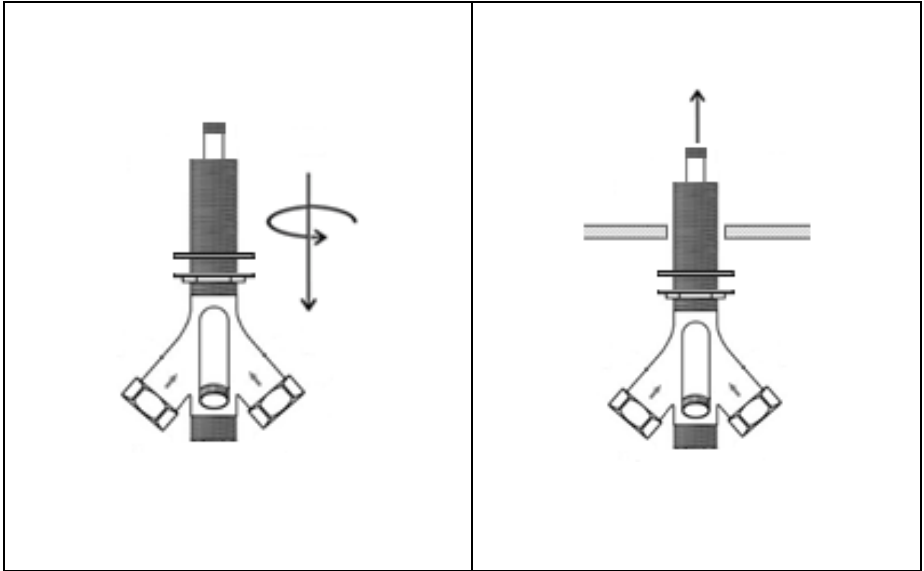
Feed the assembly through the hole in the bath/countertop.



Slide the rubber 'C' washer followed by the metal 'C' washer and tighten the back nuts with a spanner to secure the mixer valve.

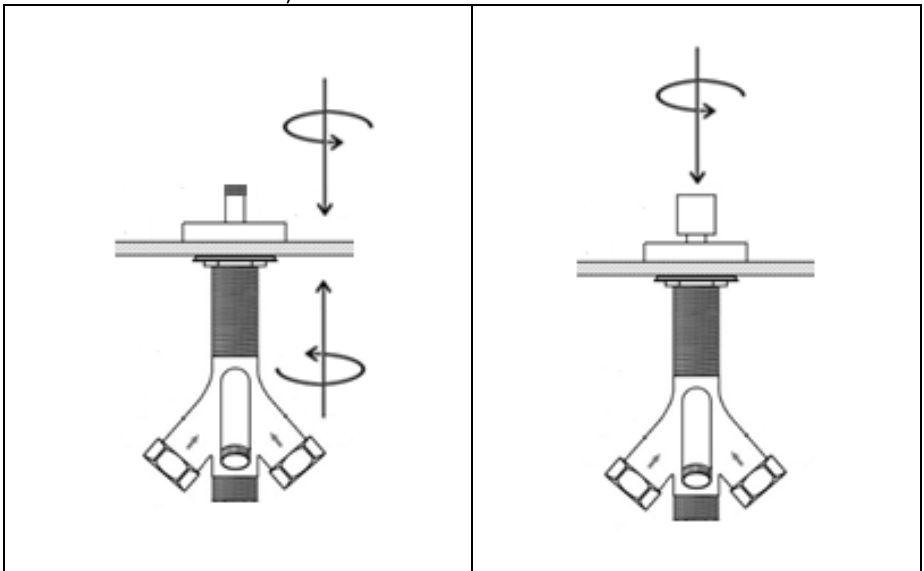
The spout and hand-shower holder can simply be installed by placing through and tightening with the washer and back-nut.

4 HOLE DECK MOUNTED BATH MIXER CONT...



Remove the knob and base plate from the diverter, screw on the back-nut and rubber washer down the valve body.

Push the diverter assembly up through the bath/countertop from underneath.

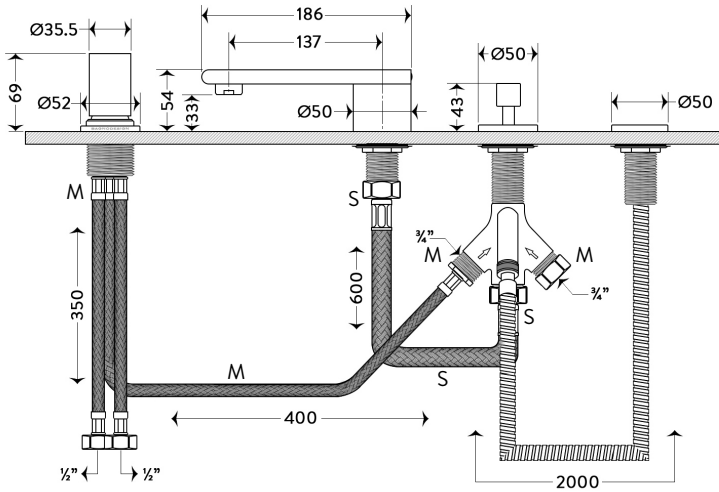


First screw the base plate onto the diverter top, then from underneath tighten the back-nut up to secure.

Re-install the diverter knob.

4 HOLE DECK MOUNTED BATH MIXER CONT...

*On some models the hand-shower is not supplied

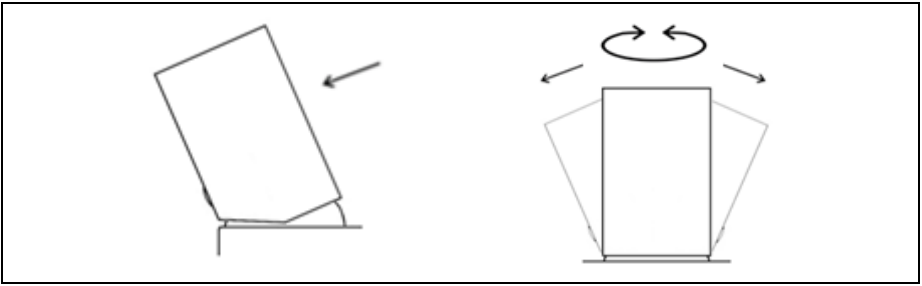


Connect the **M** flexible to either of the **M** locations on the diverter valve

Connect the **S** flexible from the bottom of the diverter to the spout connection.

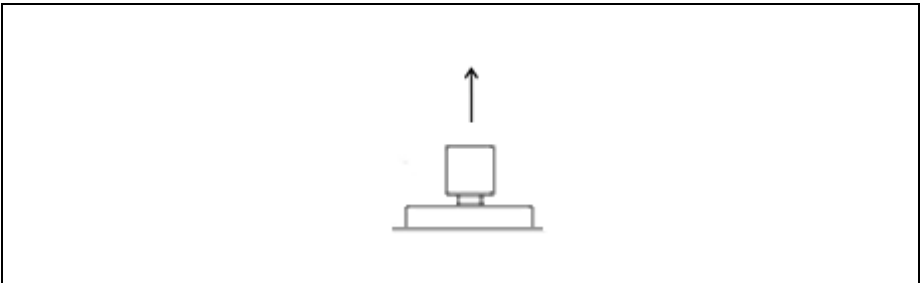
Slide the **H** hose down through the holder and connect to the **H** outlet on the diverter

OPERATION MONO



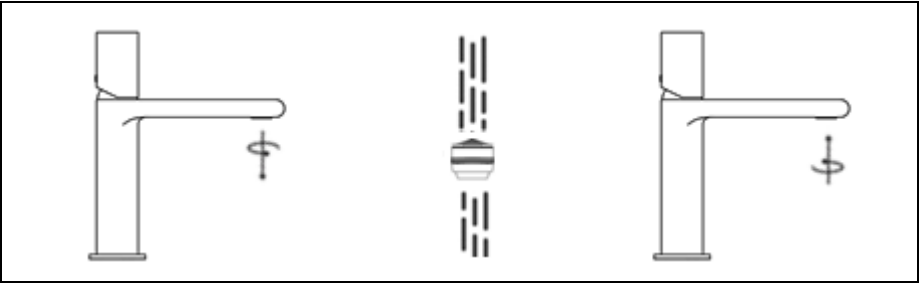
To control water flow on deck mounted mixers push the handle backward. To adjust the temperature, turn the handle and tilt to the right for cold water and left for hot water.

OPERATION DIVERTER



All diverters only function when the main water supply is turned on, for deck/floor mounted bath/shower mixers pull the diverter knob.

MAINTENANCE AERATOR



Periodically the aerator will need to be cleaned. Using an aerator key, remove the aerator from the spout, flush the aerator under water to remove the small debris or soak overnight. Re-install the aerator back into the tap and re-tighten.

MAINTENANCE CARTRIDGE



Remove the push cover. Using an Allen key loosen the grub screw this will allow the handle to be removed. Unwind the shroud, Care-fully with a spanner loosen the locking nut, this will allow the cartridge to be taken out and replaced. When inserting the new cartridge make sure the 2 locating points align, then re-assemble.

BAGNODESIGN

EXPERTLY CRAFTED BATHROOMS

Oakwell Way, Birstall
Leeds, England WF9 17LU

A member of  SANIPEXGROUP