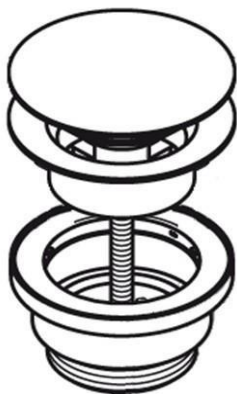


BAGNODESIGN

EXPERTLY CRAFTED BATHROOMS

General Installation Guide



WASTES

always open basin
push type slotted basin
push type non-slotted basin
push type bath
pop-up bath

A member of  SANIPEXGROUP

Please leave these instructions with the customer

IMPORTANT PLEASE READ

Remove all packaging and check the product for missing parts or damage before starting installation.

Any alterations made to this product and fittings may infringe water regulations and invalidate the guarantee.

The Installation must comply with all Local/National Water Supply Authority Regulations/Byelaws and Building and Plumbing Regulations.

We strongly recommend that your product be installed by a reputable qualified trade's person.

General Installation:

To the Installer, please read and follow this instruction carefully, as the guarantee is only valid if the product is installed as directed.

Don't rush, read the instructions first and run through them before you begin. Keep fittings together to avoid loss. Do not over tighten screws or bolts.

If the product is covered with polyethylene protective film, do not remove until installation is complete to grant maximum protection. However, remove film where any two surfaces will be in permanent contact.

Please leave this installation manual with the end user once the product has been installed.

Product Aftercare:

We recommend cleaning with a soft damp cloth and mild soap solution.

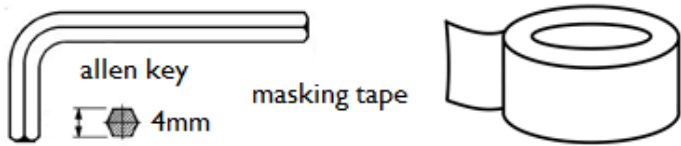
Do not use cream cleaners or cleaners containing bleach.

Do not scrub or scour.

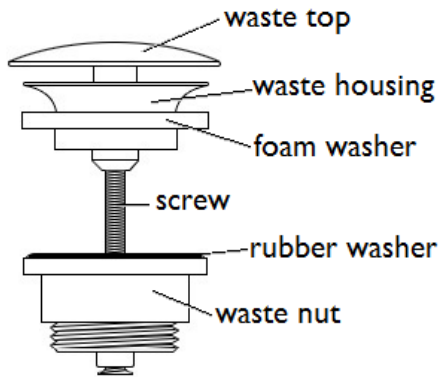
Do not use abrasive cleaning agents.

Do not use solvent based cleaners.

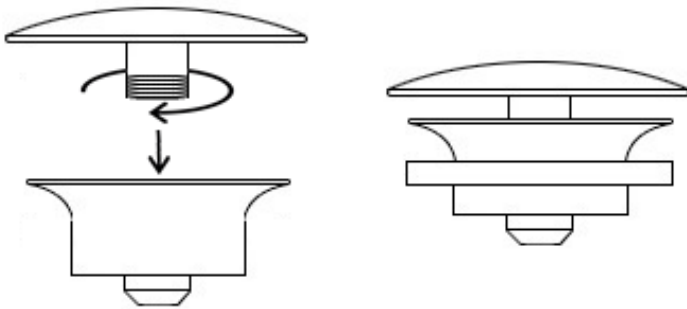
TOOLS REQUIRED (Not supplied)



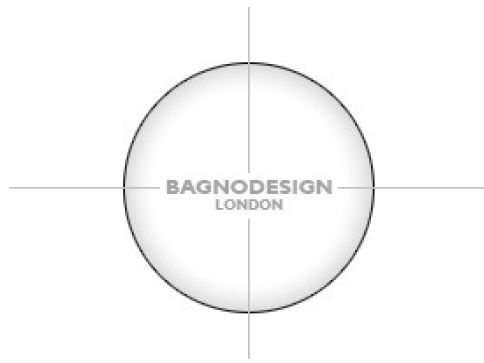
Always Open Wastes:



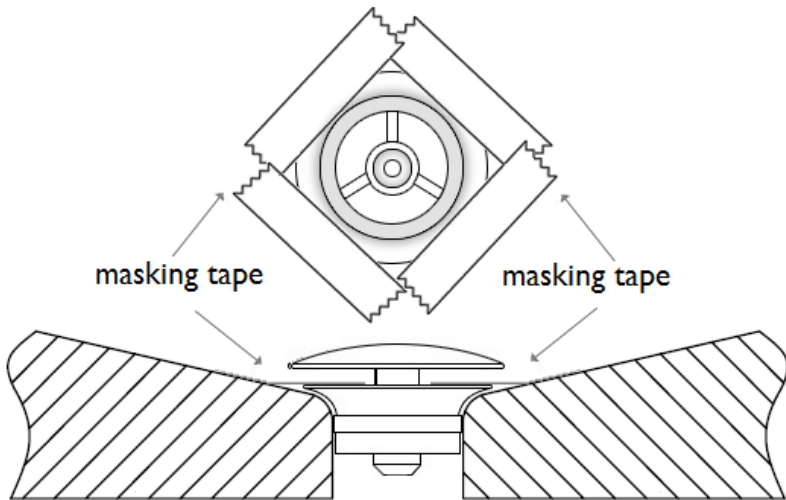
Firstly, dis-assemble the waste into its component parts shown above.



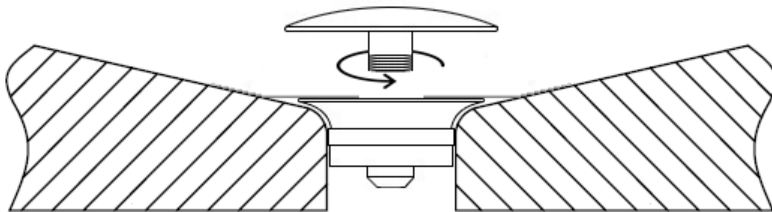
Fully hand tighten the waste top into the waste housing, then place the foam washer onto the waste housing.



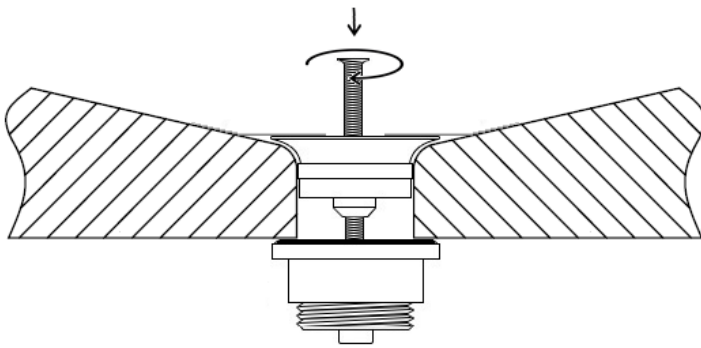
Place the waste top and housing into the wash basin and align the **BAGNODESIGN** logo so that it is horizontal.



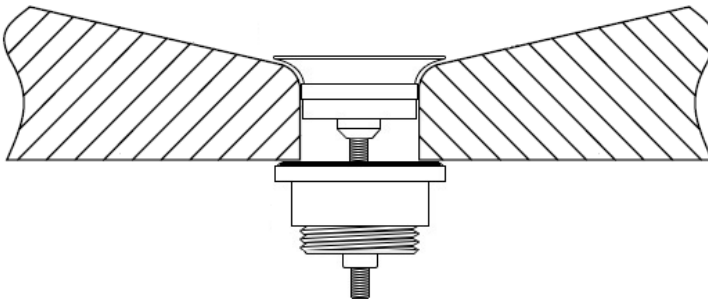
Place masking tape from the wash basin onto the waste housing, this will ensure the alignment position of the **BAGNODESIGN** logo when re-fixing waste top.



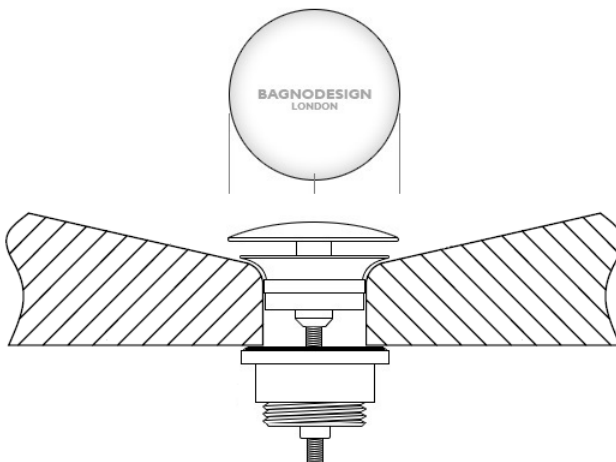
Carefully un-wind the waste top from the waste housing, for extra care, place a thumb on-top of the waste housing to ensure it does not move.



Insert the screw through the waste housing and tighten it using an allen key into the waste nut.



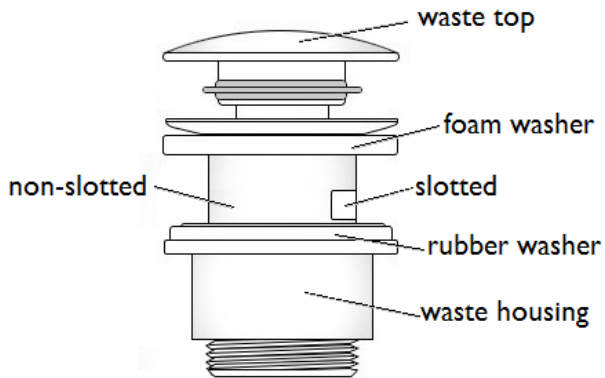
With the waste fully tight, carefully remove the the masking tape.



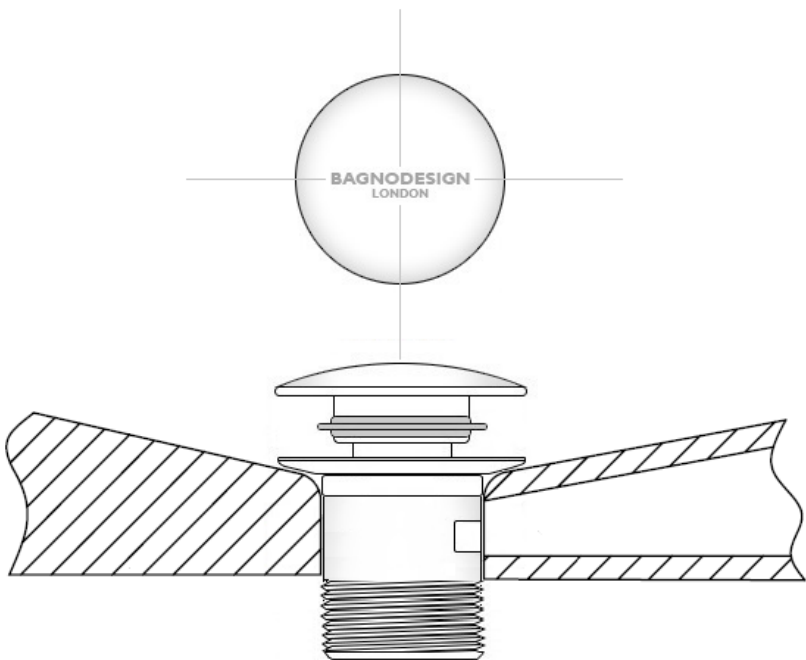
Tighten the waste top into the housing, the **BAGNODESIGN** logo will be in the previous aligned position.

INSTALLATION COMPLETE!!!

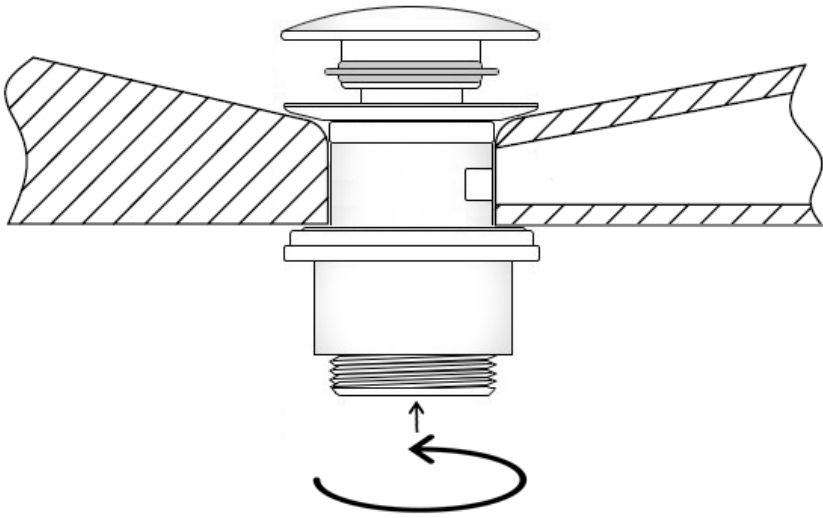
Push Type Basin Wastes (slotted & non-slotted)



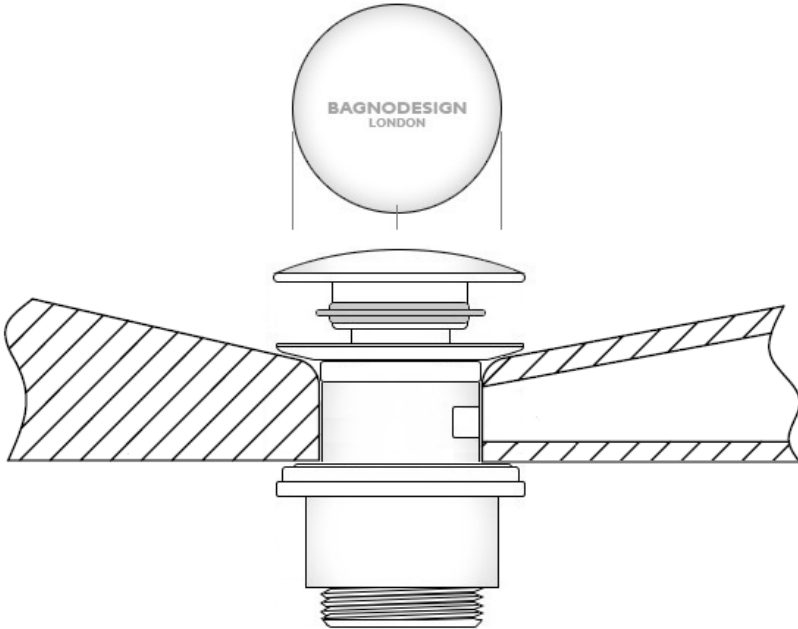
Firstly, dis-assemble the waste into its component parts shown above.



Place the waste top with foam washer into the wash basin and align the **BAGNODESIGN** logo so that it is horizontal, for wash basins with overflow, ensure that the slotted part of the waste aligns with the overflow hole.

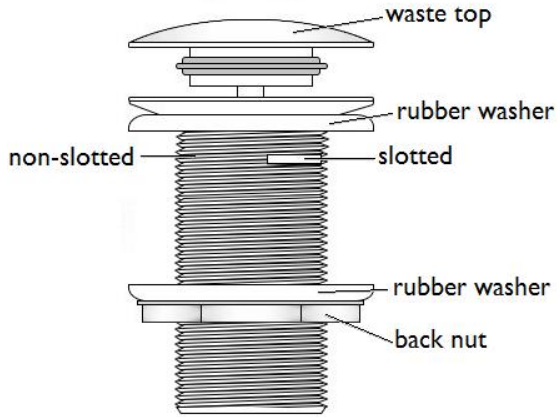


From underneath, tighten the waste housing up to the wash basin, holding the waste top during tightening will keep the **BAGNODESIGN** logo aligned.

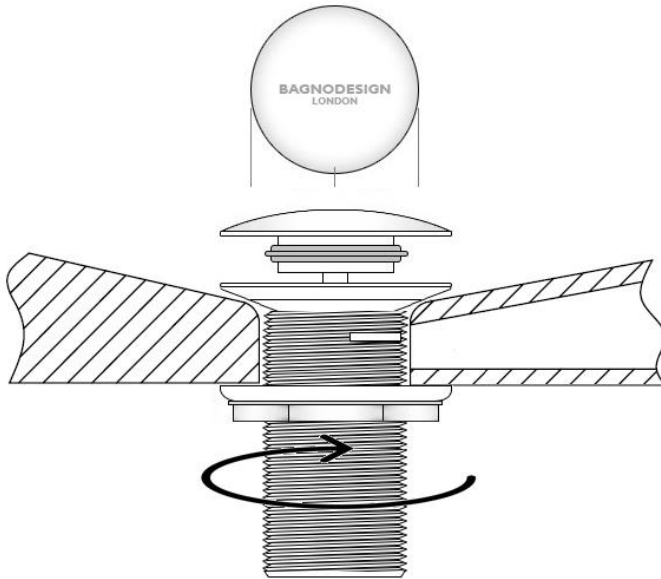


INSTALLATION COMPLETE!!!

Push Type Bath/Basin Waste



Firstly, dis-assemble the waste into its component parts shown above.

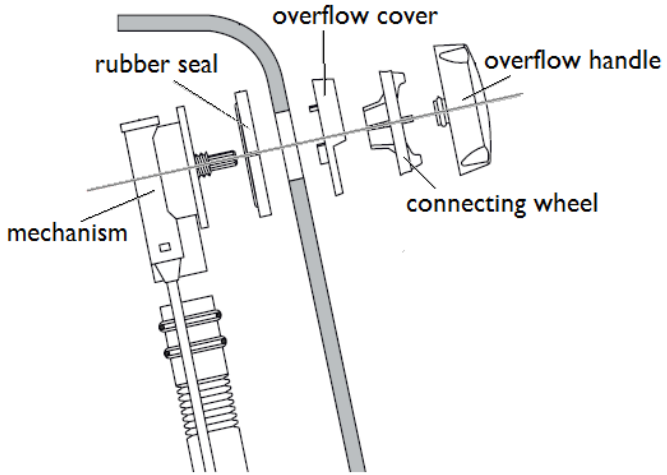


Place the waste top with 1 of the rubber washers into the wash basin and align the **BAGNODESIGN** logo so that it is horizontal, for wash basins with overflow, ensure that the slotted part of the waste aligns.

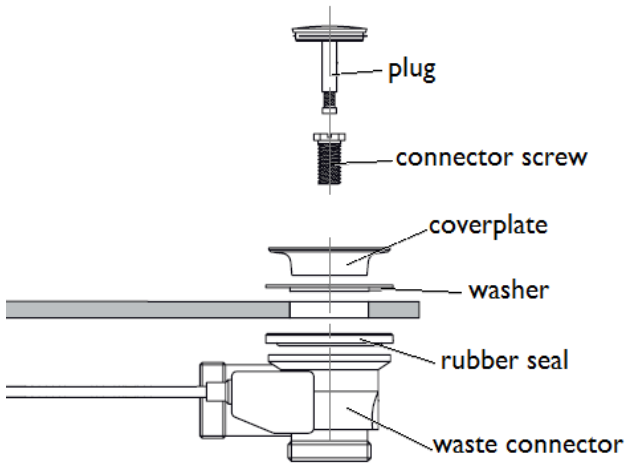
From underneath, tighten the waste housing up to the wash basin, holding the waste top during tightening will keep the **BAGNODESIGN** logo aligned.

INSTALLATION COMPLETE!!!

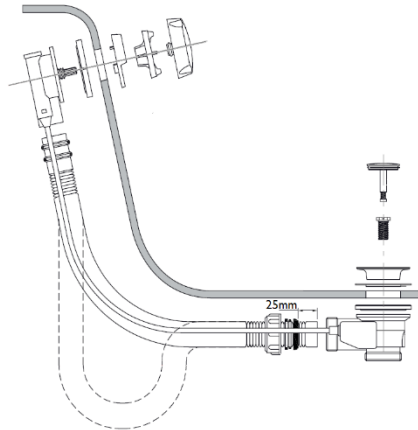
Pop-Up Bath Waste



Place the rubber seal onto the mechanism and place on the outside of the bath tub, place the overflow cover on and secure with the connecting wheel, align the overflow handle and secure with the grub screw on the underside.

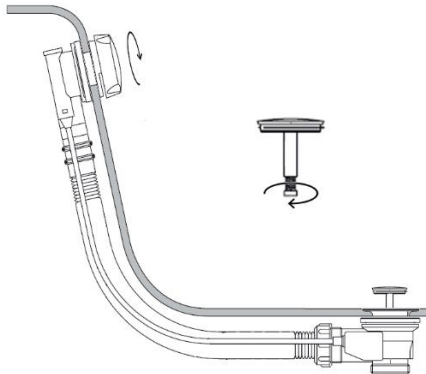


Place the rubber seal onto the waste connector and place on the underside of the bath tub place the washer in the waste hole and tighten the cover plate with the connector screw into the waste connector. Place the plug in position.



Install the overflow pipe on to the mechanism by pushing the pipe over the outlet. Install the overflow pipe into the waste connector using the compression nut and rubber olive, this connection can be cut to length to avoid creating an un-necessary trap (shown above). Make sure that at least 25mm of the overflow pipe is inserted into the waste connector then tighten.

Also check that the pop-up cable is not at a sharp angle as this will restrict movement.



With all the items installed the mechanism can be tested, rotate the overflow handle to allow the pop-up plug to move up and down, if the pop-up plug is not high enough, it can be adjusted on the screw as shown above. If your bath waste is a combination bath filler, fit as above then connect the $\frac{1}{2}$ " outlet to the bath/shower mixer.

INSTALLATION COMPLETE!!!

BAGNODESIGN

EXPERTLY CRAFTED BATHROOMS



Oakwell Way, Birstall
Leeds, England WF9 17LU

A member of  SANIPEXGROUP