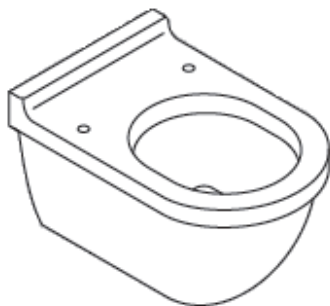


# BAGNODESIGN

EXPERTLY CRAFTED BATHROOMS

---

## General Installation Guide



## WALL-MOUNTED WC

Bottom fixing – side fixing – top fixing – bolt and cap  
fixing

A member of  SANIPEXGROUP

Please leave these instructions with the customer



## IMPORTANT PLEASE READ

Remove all packaging and check the product for missing parts or damage before starting installation.

Any alterations made to this product and fittings may infringe water regulations and invalidate the guarantee.

The Installation must comply with all Local/National Water Supply Authority Regulations/Byelaws and Building and Plumbing Regulations.

We strongly recommend that your product be installed by a reputable qualified trade's person.

### **General Installation:**

**Please note this product can require 2 or more persons to lift and manoeuvre into position.**

The installation of the wall mounted WC may require previous installation of concealed/furniture cistern, please ensure correct distances and provisions are left for WC Installation.

To the installer: Please read and follow this instruction carefully, as the guarantee is only valid if the product is installed as directed.

Don't rush, read the instructions first and run through them before you begin. Keep fittings together to avoid loss. Do not over tighten screws or bolts.

If the unit is covered with polyethylene protective film, do not remove until installation is complete to grant maximum protection. However, remove film where any two surfaces will be in permanent contact.

Verify that all dimensions on the plan are the same as the ones of the product.

Please leave this installation manual with the end user once the product has been installed.

### **Product Aftercare:**

We recommend cleaning with a soft damp cloth and mild soap solution.

Do not use cream cleaners or cleaners containing bleach.

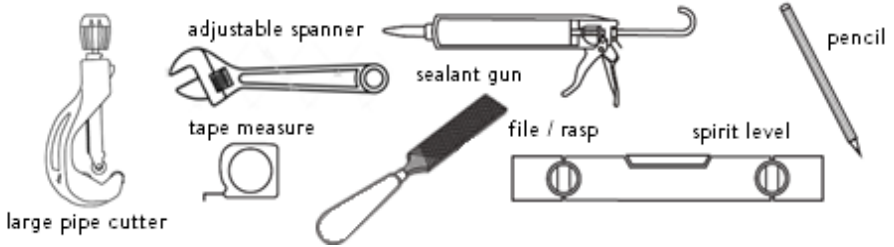
Do not scrub or scour.

Do not use abrasive cleaning agents.

Do not use solvent based cleaners.

*This installation guide is for reference only. In case there is a discrepancy between that of the instructions and that of the actual product, the latter should be taken as standard. The rights of modification are reserved.*

## TOOLS REQUIRED (Not supplied)



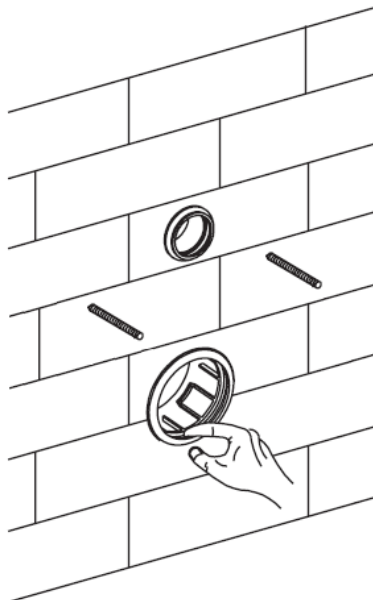
Remove the WC from the box and carefully remove the protective packaging.

*NOTE: Before installing the WC, place a protective sheet in the installation area to prevent any Possible damage.*

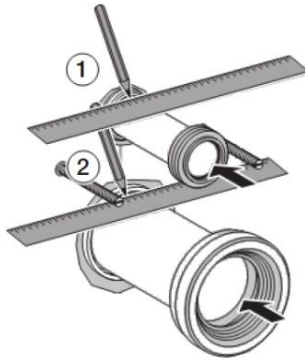
Ensure that the plumbing provisions projecting from the wall are suitable for the WC installation. Remove the rubber seals from the waste and flush sockets.

*NOTE: Support framed WC installations will have pre-determined positions for connection*

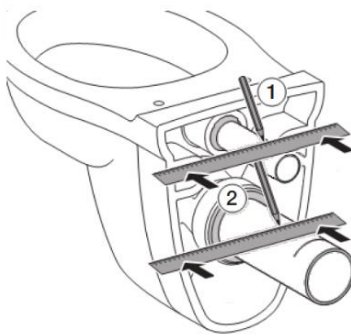
## MEASURING AND INSTALLING THE FLUSH AND WASTE PIPE



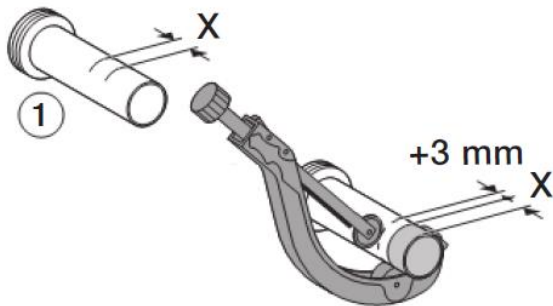
Remove the rubber washers from the flush and waste and keep safe.



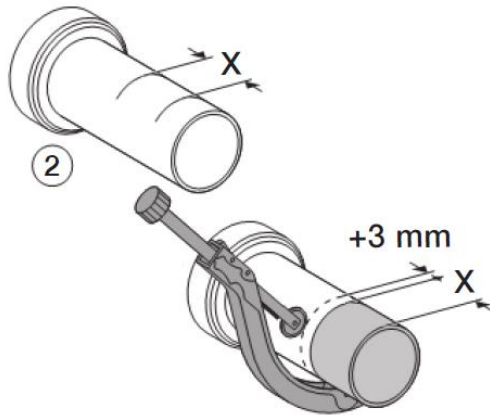
Insert the Flush pipe (1) and the Waste pipe (2). Using a pencil and a ruler mark the pipes depth.



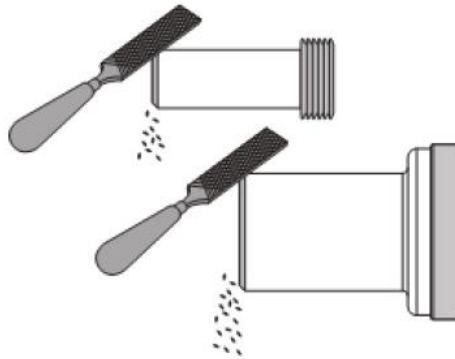
Install the inlet pipe and outlet pipe to the toilet as shown, and mark on the pipes at the back side of the tank with a ruler and a pencil, and reserve appropriate space according to the distance from the back of the tank to the outlet hole on the wall.



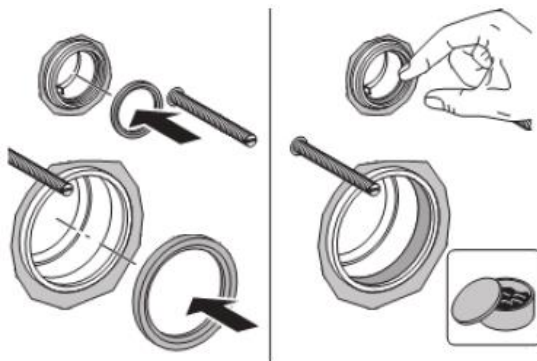
Measure between the 2 marks on the flush pipe (1) this will give you dimension X. Now measure dimension X from the end of the pipe and mark. From this mark measure 3mm towards the end of the pipe and cut.



Apply the same technique to cut the waste pipe (2)

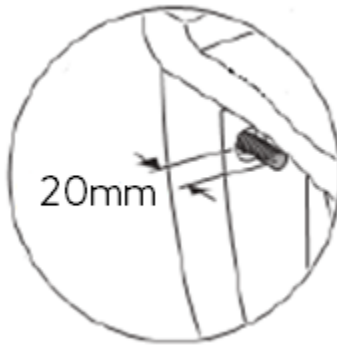


*TIP: Chamfer the end edges of the pipe to 45° for ease of installation into wall socket*



Re-insert the rubber washers removed and apply lubrication to the rubbers for easy pipe insertion.

## BOLT & CAP FIXING (AQE-UNI111-KIT)

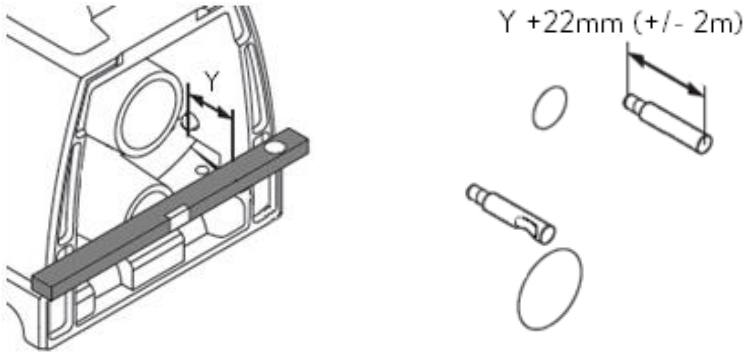


Place the WC onto the fixing bolts, and leave 20mm of thread showing through the ceramic, then insert the flush and the waste pipe.

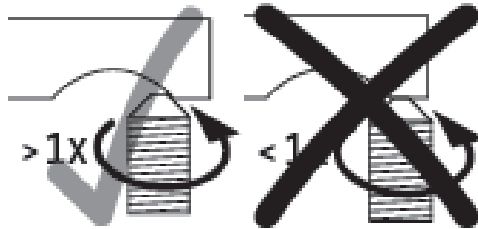


Ensure the pan is level, then Install the washer and nut and tighten, to complete place the cover cap the over the top of the bolt.

## SIDE FIXING (BFK-UNI5-KIT or BFK-UN14-KIT)

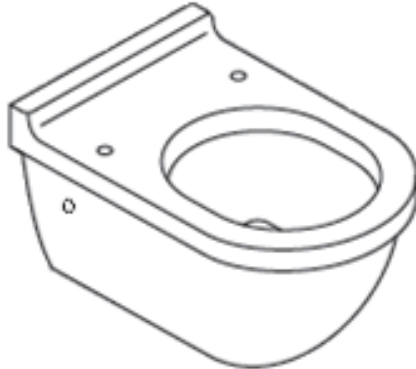


Place a level along the back-side of the WC, take the measurement to the center of the fixing hole (Y) add 22mm (+/-2mm), Thread the fixing bolt into the desired position and have the grooves pointing outwards, then insert the flush and the waste pipe. Then install the WC onto the fixing bolts



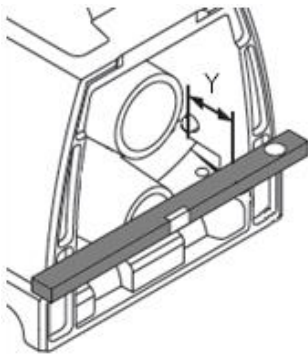
Ensure the pan is level.

When tightening the bolts from the side make sure that the tapered screw is inserting correctly into the groove as above. Tighten each side evenly.

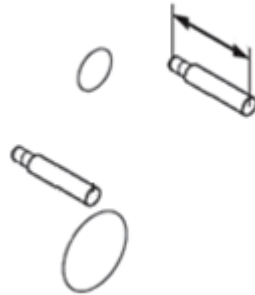




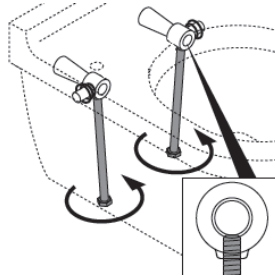
## BOTTOM FIXING (BFK-UNI10-KIT)



$Y + 22\text{mm} (+/- 2\text{m})$



Place a level along the back-side of the WC, take the measurement to the center of the fixing hole (Y) add 22mm (+/-2mm), Thread the fixing bolt into the desired position and have the grooves pointing downward, then insert the flush and the waste pipe.



Click the extension rods into the fixing kits, and install the WC onto the fixing bolts.

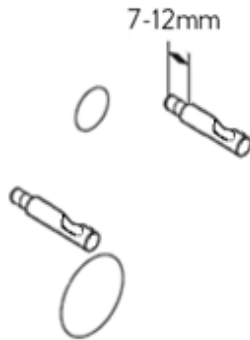
Ensure the pan is level.

Tighten bolts from underneath using extension tool supplied.

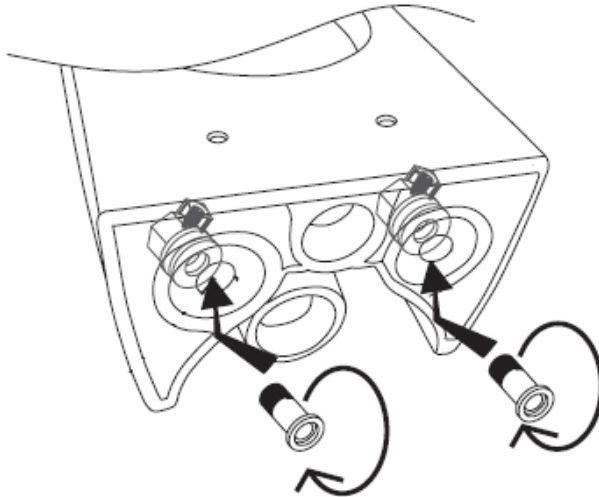


When tightening the bolts from the bottom make sure that the tapered screw is inserting correctly into the groove. Tighten each side evenly.

## TOP FIXING

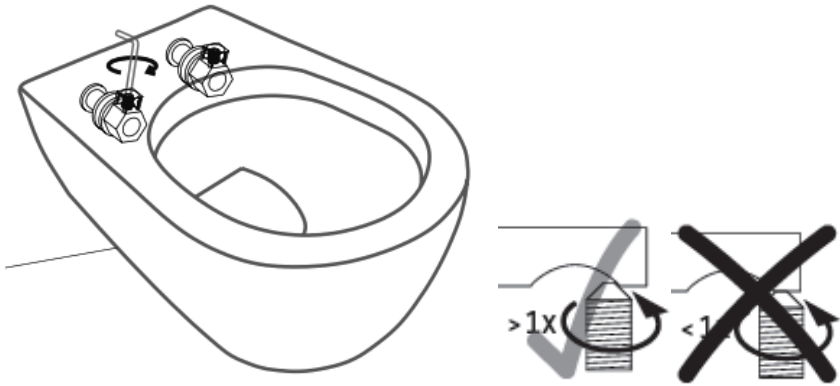


Thread the fixing bolt into the desired position leaving 7-12mm of thread (this will need to be adjusted dependent on WC pan), have the grooves pointing upward, then insert the flush and the waste pipe.



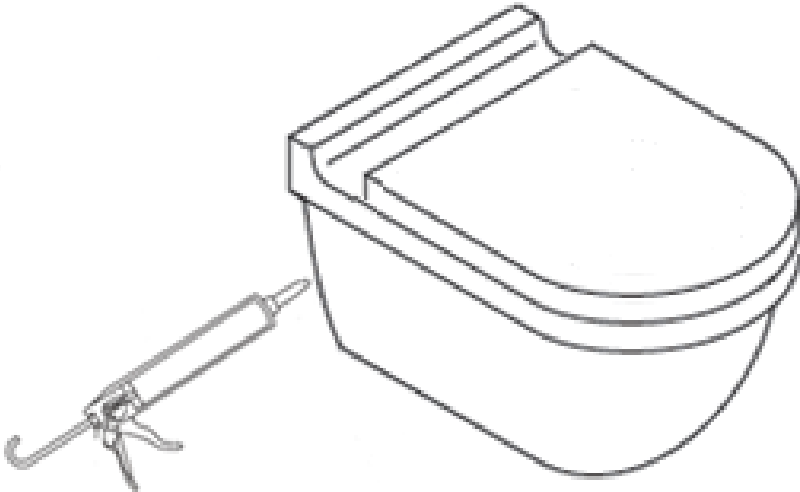
Install the fixing kit into the WC then install the WC onto the fixing bolts.

Ensure the pan is level.



Fasten the screw through the installation hole of the WC seat cover with the Allen key provided, when tightening the bolts from the top make sure that the tapered screw is inserting correctly into the groove. Tighten each side evenly.

#### ALL WC'S



Install the WC seat cover as per the instructions, if required place a small bead of silicon around the perimeter of the WC pan.

***INSTALLATION COMPLETE!!!***

