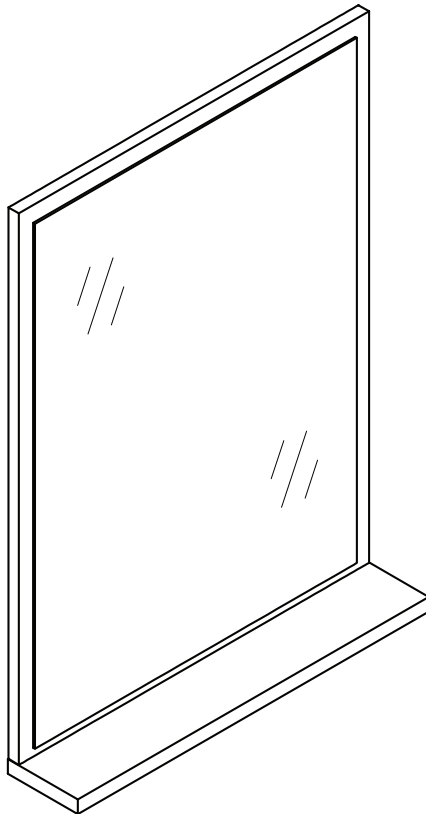




Wall Hanging Mirror with shelf



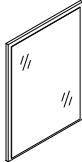
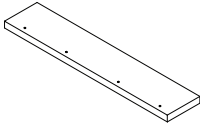
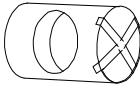
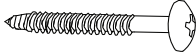
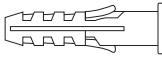
Fitting Instructions

Please follow them carefully and
leave this manual with end user

Before you begin:

1. **We recommend that this product is installed by a qualified tradesperson**, Victorian Plumbing Ltd. accept no liability for products incorrectly installed or any damage to the floor, walls, plumbing, Mirror, shelf or personal injury during installation.
2. **Check the chosen wall space for any pipes/cables prior to drilling**
3. **We recommend that Wall Mounted Mirrors must be fastened to a load bearing wall. Check the type of wall you are fixing into and use suitable fixings.**
4. Observe all local plumbing and building codes & regulations.
5. Unpack the product then read these instructions before proceeding. Inspect the product for damage. If any damage is found, contact our Customer Relations team.

Items Included:

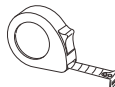
No.	Description	Picture	Qty
A	Mirror		1
B	Shelf		1
C	Locking Nut		4
D	M5x50 Screw		6
E	Ø8x35mm Rawl Plug		2

Tools Required (Not Included):

Ensure the appropriate PPE is used during installation



Pencil



Tape Measure



Drill



Screw Driver



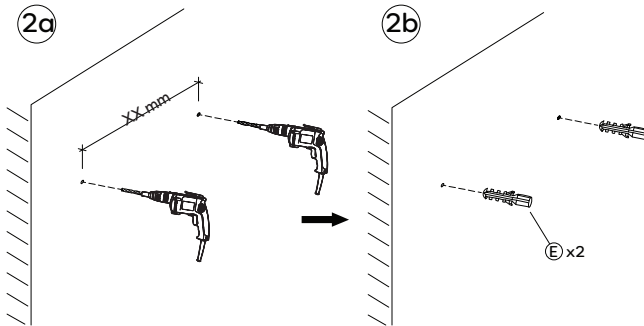
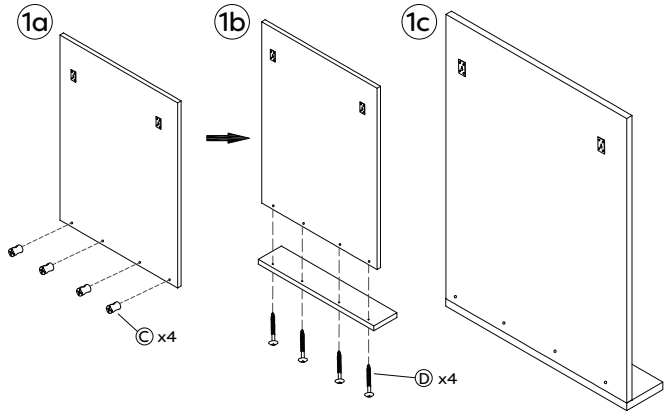
Spirit Level

Installation

Diagrams are for illustration purposes only. Your Mirror may superficially differ from these drawings however the installation guide steps still apply.

Step 1:

- Insert the locking nuts into the pre-drilled holes at the rear of the mirror.
- Place the shelf under the mirror, then screw into place through the pre-drilled holes using the screws provided.

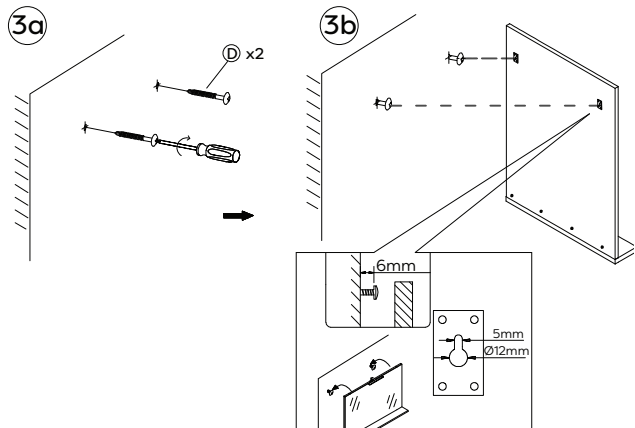


Step 2:

- Set the mirror at the desired height, then mark the positions in the wall ready for drilling.
- Carefully Drill the holes in the wall using the appropriate sized drill bit, then insert the rawl plugs.

Step 3:

- Using the screws provided, screw into the holes in the wall. Ensure there is enough of a gap for the mirror to hang securely.
- Place the mirror over the screws in the wall making sure the mirror is slotted into place. Check that the mirror is level using a spirit level.



Cleaning and Maintenance:

Care should be exercised when cleaning this product. Although the finish is durable, it can be damaged by harsh abrasives and cleaning pads.

In order to maintain the quality finish of this product please do not use any abrasives or solvents when cleaning this product. Use only a damp cloth for cleaning this product. Do not allow water to stand on any part of the mirror.

Please clean any spillage that may affect the quality of the finish as described above.

Recycling and Disposal:

Please recycle the packaging in accordance with your local government regulations on waste handling and follow the same advice at the end of the products life.