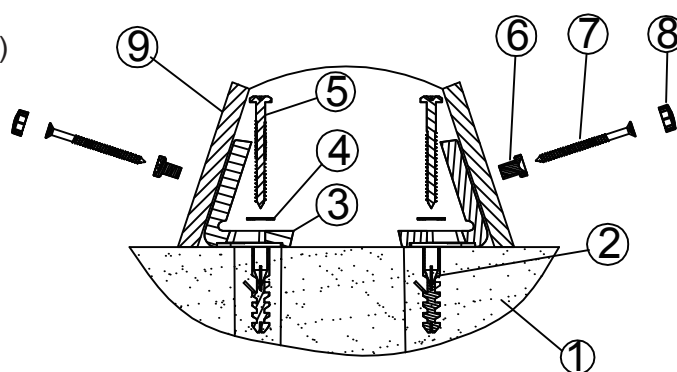


Installation instructions



Thank you for purchasing this Victorian Plumbing product. Please follow these care instructions to ensure your product retains its high quality finish - and retain this leaflet for future reference.

- ① Flat floor
- ② Wall plug (for concrete floor)
- ③ Fixing bracket
- ④ Washer
- ⑤ Fixing bracket screw
- ⑥ Screw mount
- ⑦ Screw cover
- ⑧ Fixing screw
- ⑨ Toilet bowl



1. Please check all the parts as shown in the figure are supplied.
2. Please take apart all the parts before installation and keep safe;
3. The toilet bowl(9)should be installed on a flat floor;
4. As shown in figure ,for concrete floor drill a hole on the floor and insert the wall plug (2) into the Hole (not required for wood floor) , position the fixation bracket(3) and the washer (4), then tighten fixing screws(5).
5. Put on the toilet bowl (9) and inset the wall screw mount (6) in the hole of the toilet bowl, then tighten the fixing screw (7) and put on the screw cover(8).
6. After installation, please check if the toilet seat is firm, if not ,please check again that all the parts were installed correctly.

Victorian Plumbing

Diamond House. 41, Stephenson Way. Formby Business Park Formby. England. L37 8EG

Tel: 0044 800 862 0878

Website:www.victorianplumbing.co.uk