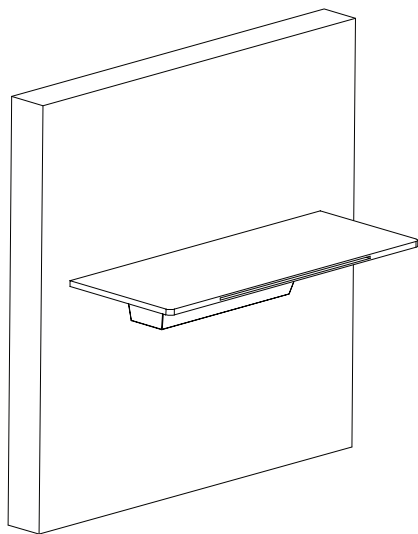


# AREZZO

## Waterfall Fixed Shower Head

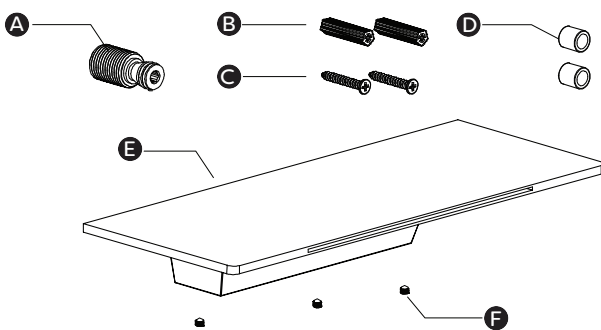


### Fitting Instructions

Please follow them carefully and leave this manual with end user

#### Items Included:

- A. Threaded Connector
- B. Rawl Plugs (x2)
- C. Screws (x2)
- D. Brackets (x2)
- E. Fixed shower head
- F. Grub Screws (x3)



#### Tools Required(Not included):

\*Ensure the appropriate PPE is used during installation\*



Power Drill



Screw Driver



Allen Key



Pencil



PTFE Tape



Spirit Level

\*Diagrams are for illustration purposes only. Your Fixed Shower Head may superficially differ from this drawing however the installation guide steps still apply.\*

#### Recycling and Disposal:

Please recycle the packaging in accordance with your local government regulations on waste handling and follow the same advice at the end of the products life.

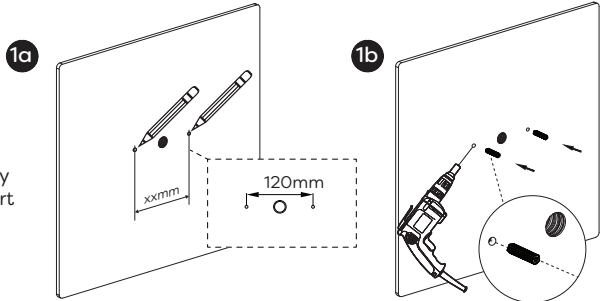
## Before you begin:

1. **We recommend that this product is installed by a qualified tradesperson.** Victorian Plumbing Ltd. accept no liability for products incorrectly installed or any damage to the floor, walls, plumbing, shower head, or personal injury during installation.
2. **Check the chosen wall space for any pipes/cables prior to drilling**
3. Observe all local building codes & regulations.
4. **Ensure the mains water supply is switched off prior to commencing the installation.**
5. Unpack the product then read these instructions before proceeding. Inspect the product for damage. If any damage is found, contact our Customer Relations team.

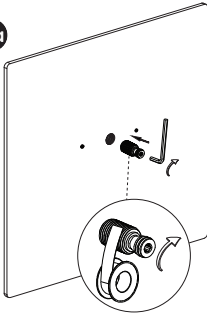
## Installation:

### Step 1:

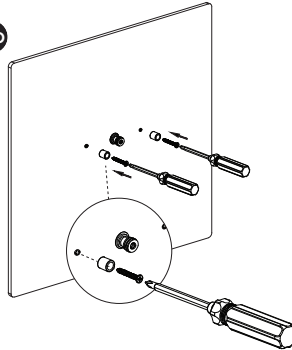
Measure the distance from the outlet, then mark the holes in the wall ready for drilling. Using an appropriate sized drill bit, carefully drill the holes in the wall then insert the 'Rawl Plugs'.



2a



2b



### Step 2:

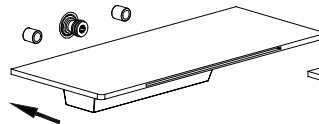
Wrap PTFE tape around the 'Threaded Connector', then screw the 'Threaded Connector' into the outlet in the wall and tighten with an Allen Key.

Using the 'Screws' Provided screw the 'Brackets' into the 'Rawl' plugs in the wall.

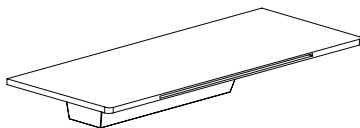
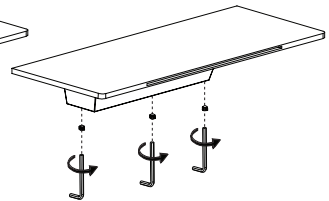
### Step 3:

Mount the 'Fixed Shower Head' over the 'Threaded Connector' and 'Brackets'. Secure the shower head using the 'Grub Screws' provided, tighten with an Allen Key.

3a



3b



### Step 4:

Turn on the water supply, run the shower and check all joints and connections for any leaks.