

UNPACK THE BOX AND ENSURE ALL COMPONENTS ARE PRESENT.

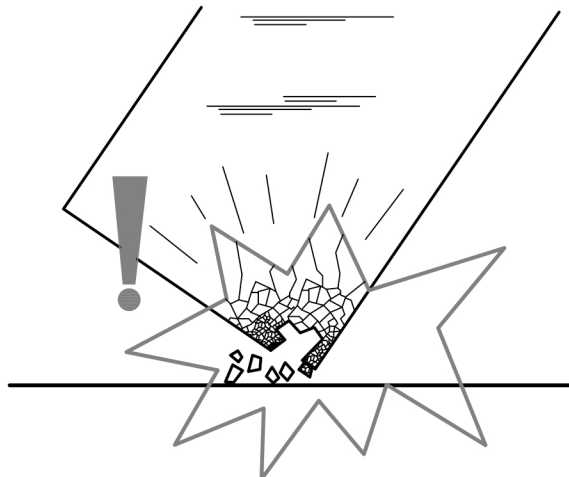
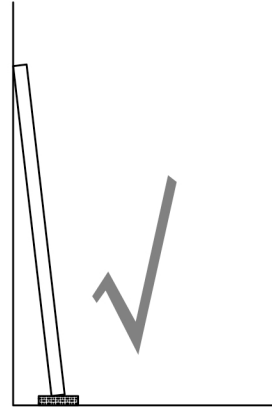
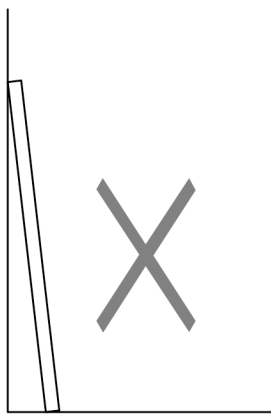
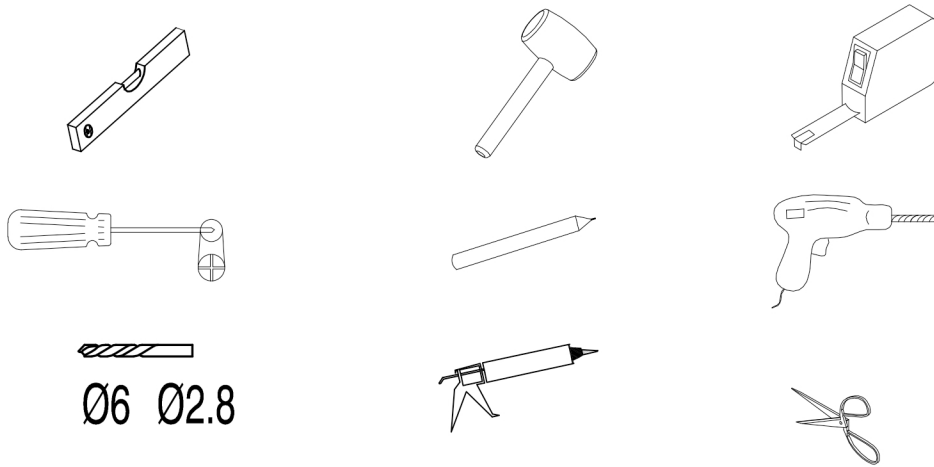
NO REFUNDS OR REFITTING COST WILL BE GIVEN IF INCOMPLETE OR DAMAGED GOODS ARE FITTED.

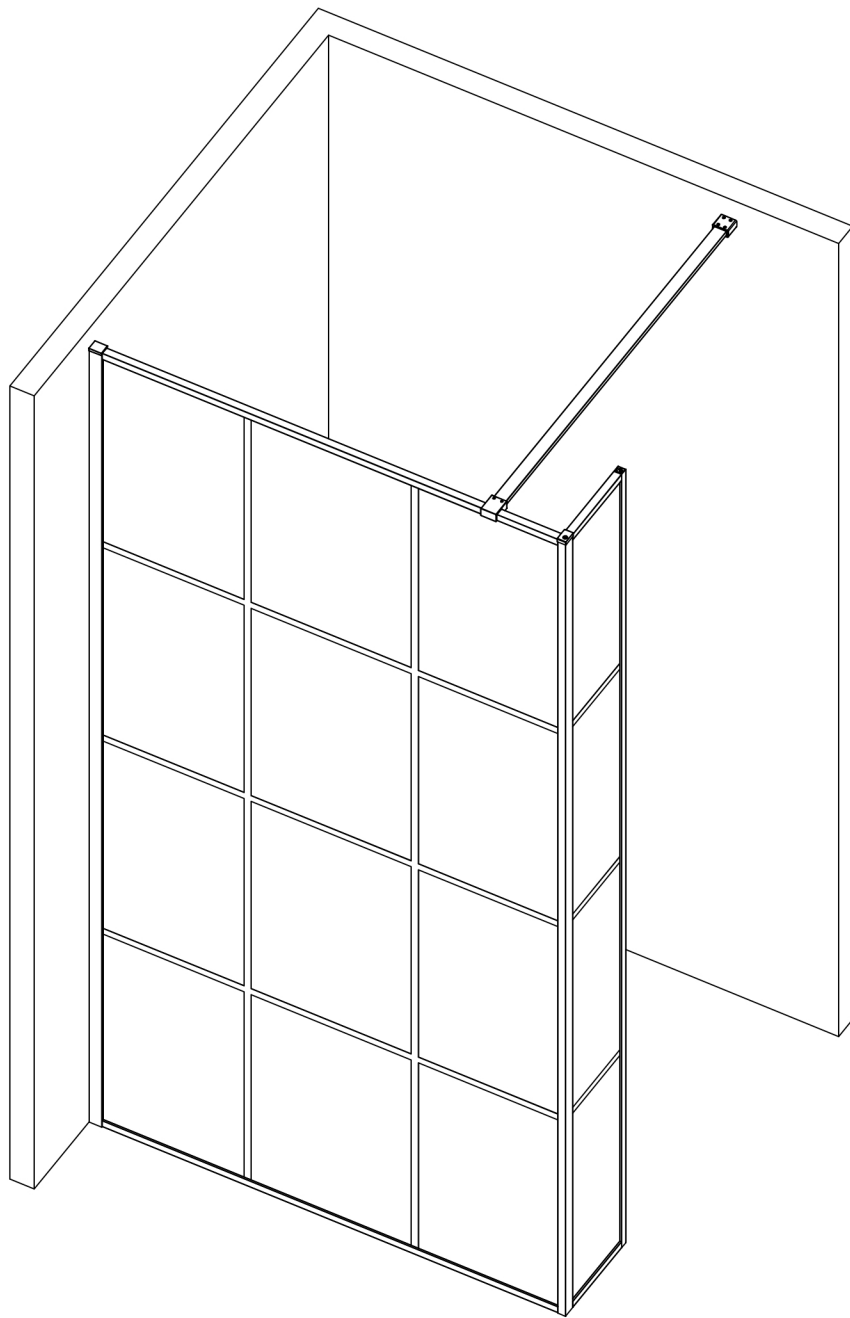
THE TOUGHENED SAFETY GLASS SHOULD BE HANDLED WITH CARE AS IMPACTS WILL DAMAGE THE GLASS OR ENCLOSURE.

FIT THE SHOWER TRAY AS PER THE MANUFACTURERS INSTRUCTIONS. NOTE: IF THE TRAY ISN'T TRUE AND LEVEL, IT MUST BE RECTIFIED BEFORE SILICONING AROUND THE TOP EDGE OF THE TRAY WHERE IT MEETS THE TILES.

ALLOW THE SILICONE TO DRY BEFORE FITTING THE ENCLOSURE.

TOOLS REQUIRED POWER DRILL - 6mm
MASONRY DRILL BIT CROSS HEAD SCREW
DRIVER - TAPE MEASURE - PENCIL SILICONE
GUN WITH SANITARY GRADE SEALANT - SPIRIT
LEVEL.

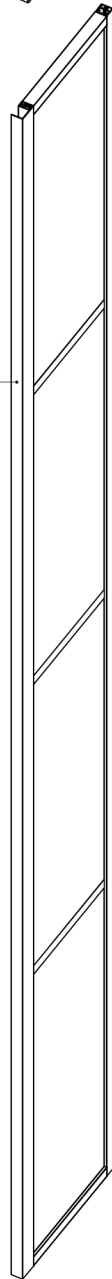








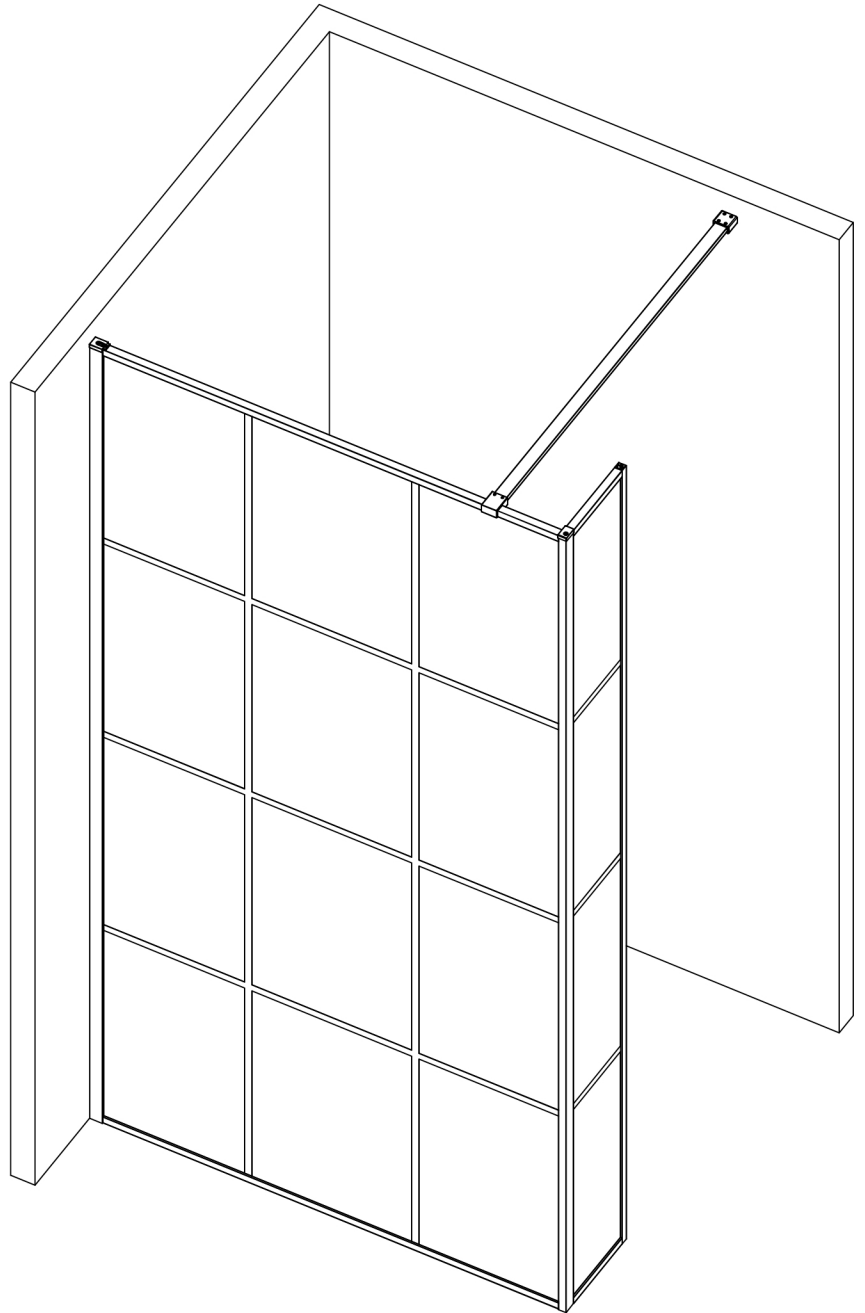
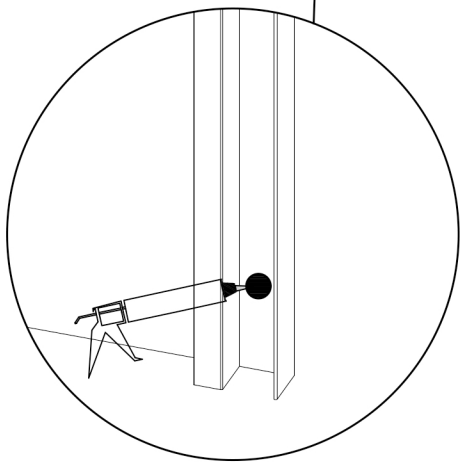
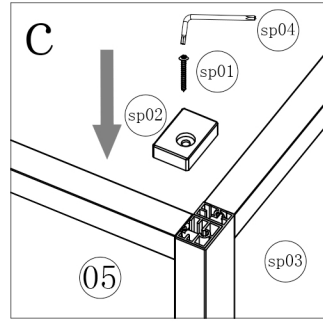
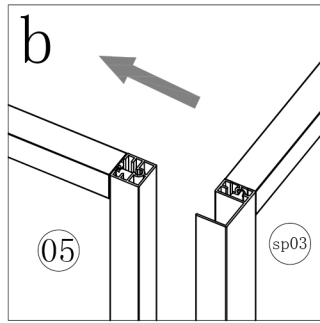
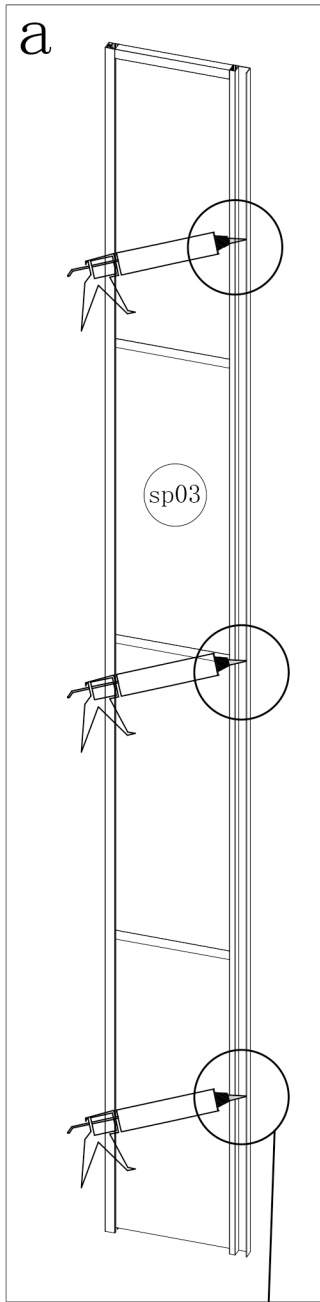
sp01 — |

sp02 — □

sp03 — |



serial number	graphical	name	quantity	remarks
sp01		ST3. 5X20	1 PCS	
sp02		L/R	2 PCS	
sp03			1 PCS	
sp04		M3	1 PCS	



EXTERNALLY SILICONE SEAL THE WALL PROFILE WHERE IT MEETS THE WALL AND ALONG THE BOTTOM OF THE GLASS. ALL IN A CONTINUOUS BEAD. DO NOT SILICONE INSIDE THE ENCLOSURE

ALLOW THE SILICONE AT LEAST 24 HOURS TO FULLY CURE.

AFTERCARE - ENSURE YOU CLEAN YOUR PRODUCT USING A MILD DETERGENT DILUTED IN WATER, REMOVING ANY RESIDUE WITH A SOFT DAMP CLOTH.

MAINTENANCE - ENSURE MOVING PARTS ARE FREE FROM ANY DEBRIS OR SOAP BUILD UP

