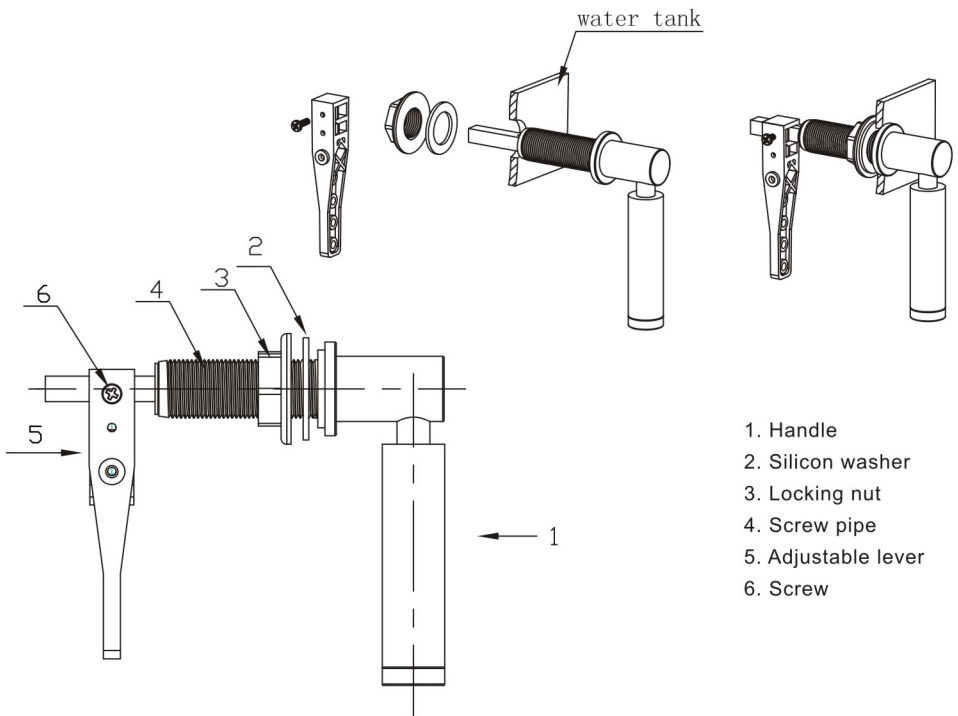


Installation instructions



Thank you for purchasing this Victorian Plumbing product. Please follow these care instructions to ensure your product retains its high quality finish
- and retain this leaflet for future reference.

1. check all components are complete before installation.
2. take the adjustable lever(5) down, and take the washer (2) and locking nut (3) away.
3. make the handle (1) across the hole of tank and fit into the washer(2) and locking nut(3), then screw the locking nut(3) tightly.
4. choose a suitable hole and connect the adjustable lever(5) with hook.
5. make the screw of adjustable lever tightly.



Victorian Plumbing

Diamond House. 41, Stephenson Way. Formby Business Park Formby. England. L37 8EG

Tel: 0044 800 862 0878

Website: www.victorianplumbing.co.uk