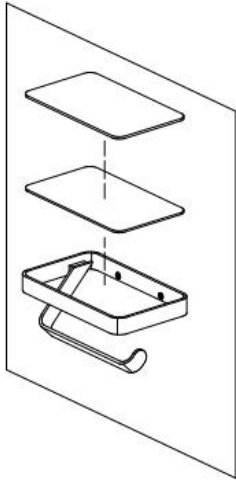
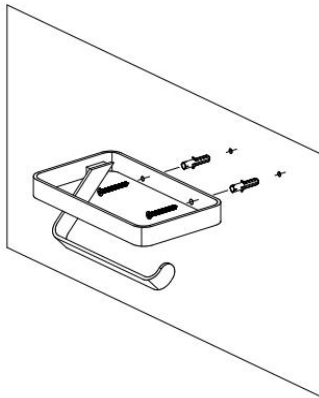


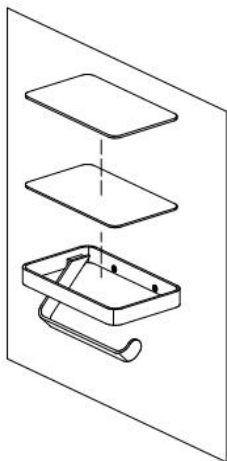
## INSTALLATION STEP



STEP 1 :Take out the Plate shelf



STEP 2: Fix the Screws and the expansion



STEP 3:Put back the plate shelf