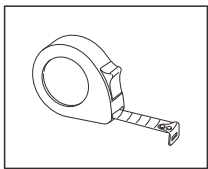


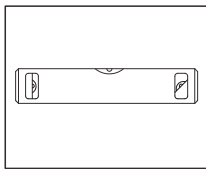
# INSTALLATION INSTRUCTIONS FOR NON-LIGHTED MIRRORS

Before installing this product pay special attention to these instructions.

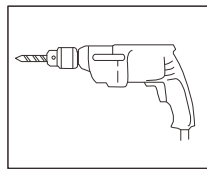
## Installation Tools



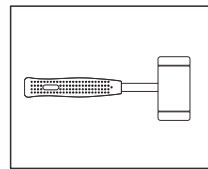
Measuring tape



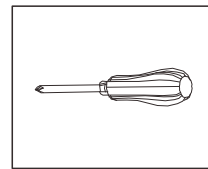
Spirit level



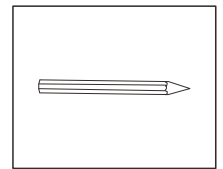
Drill



Hammer



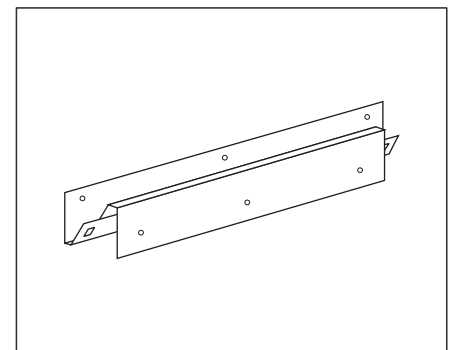
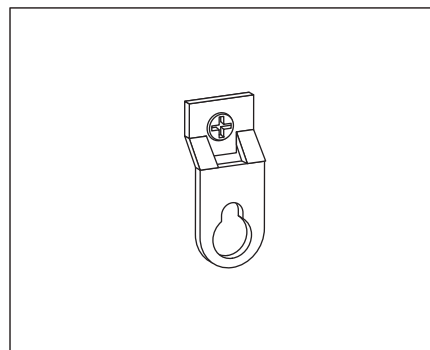
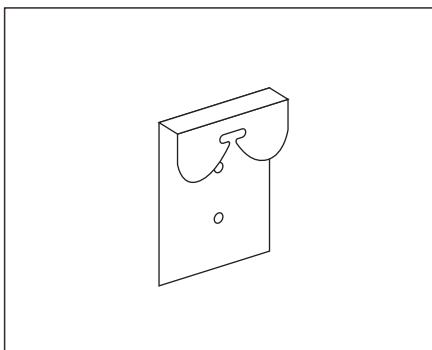
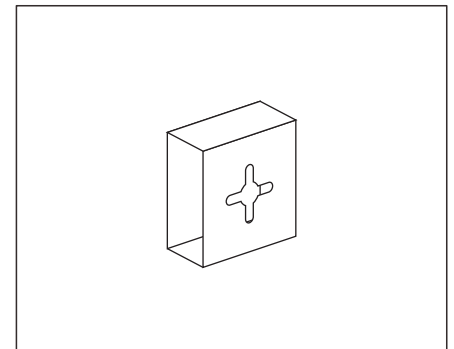
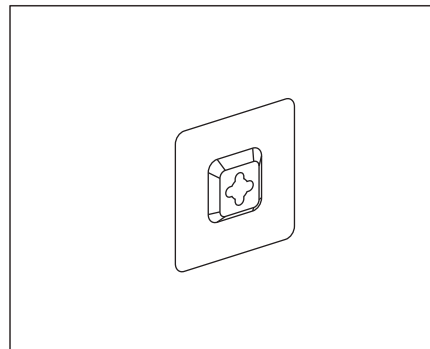
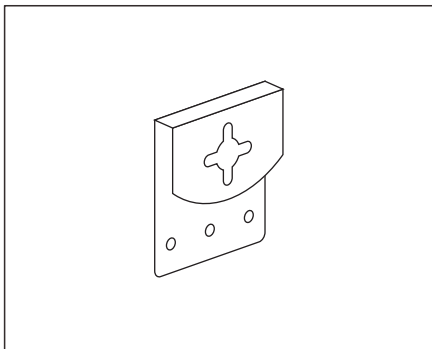
Screwdriver



Pencil

---

## Type of Hanging Brackets



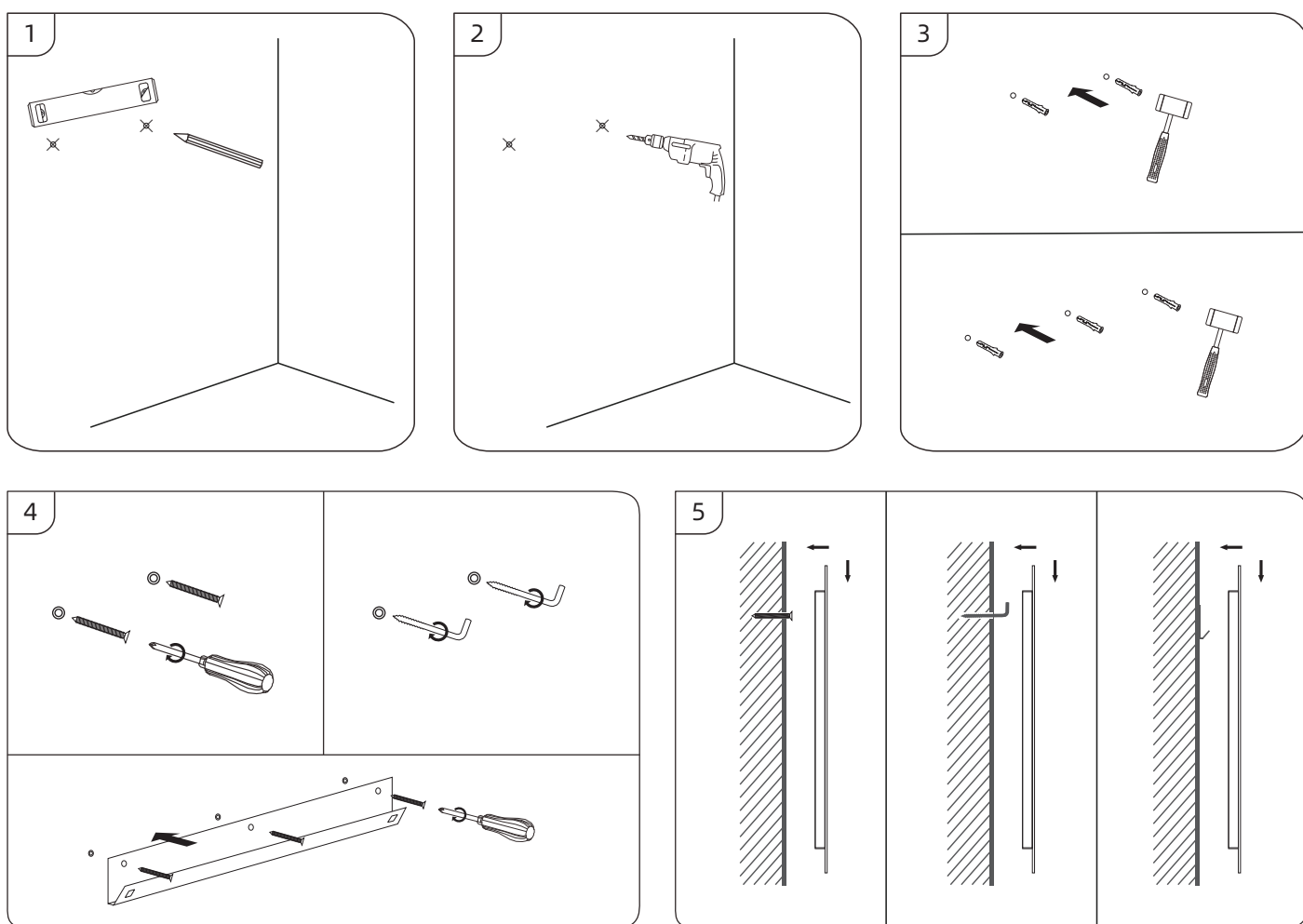
Never modify the construction or add any parts which are not offered as spare parts or accessories by the manufacturer of the luminaire. Any unauthorized modification might result in weak mounting and risk that parts of the luminaire can fall down from the wall.

# Hanging the mirror

## Installation Steps

1. Make certain the wall is solid and suitable to safely accommodate the mirrors overall weight when installed. Measure and mark with a pencil, the position of the fixing bracket, securing screws & plugs while checking with a spirit level that the bracket is perfectly level.
2. Choose a drill with an appropriate drill bit to make two(or more) holes at the marked places, and use a special ceramic drill if the wall surface is made of ceramic tiles.
3. Insert Rawl plugs into drilled holes, and then screw the hook into the hole.
4. Hang the product on a wall hook.

**Note:** Install the mirror at least 15cm. away from the basin.



## Recycling and disposal

Please recycle the packaging in accordance with your local government regulations on waste handling, and follow the same advice at the end of the products life.

## For more Information

Visit: [victorianplumbing.co.uk](http://victorianplumbing.co.uk)