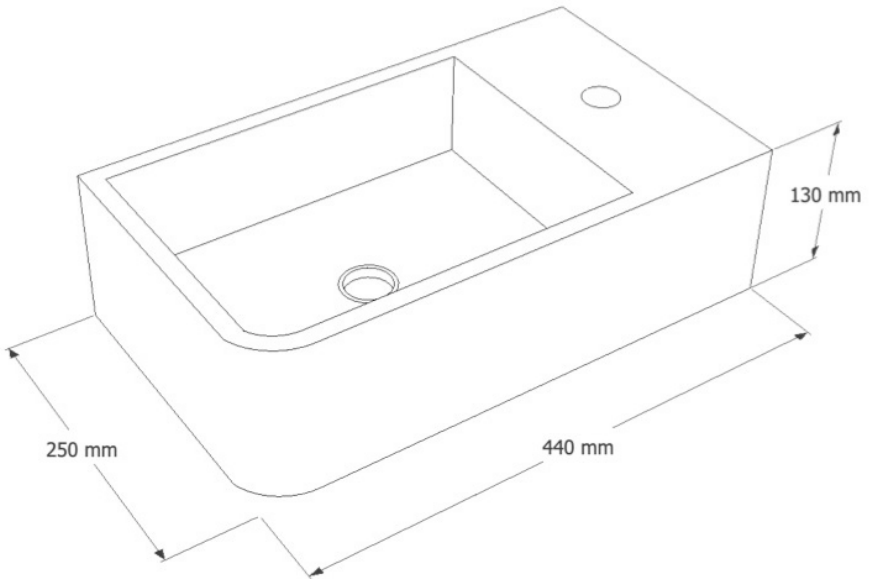


# AREZZO

## Pavio Right



## Fitting Instructions

Please follow them carefully and  
leave this manual with end user

# AREZZO

## Installation Guide

### Fixing A Washbasin To The Wall

#### BEFORE YOU BEGIN

1. We recommend consulting a professional if you are unfamiliar with installing bathroom fixtures and plumbing. We accept no liability for any damage to the floor, walls, plumbing, vanity cabinet, sink, counter top, or personal injury during installation.
2. Observe all local plumbing and building codes.
3. Unpack the product then read these instructions before proceeding. And Inspect the sink for damage. If any damage is found, contact our Customer Relations team.

#### CLEANING AND MAINTENANCE

We recommend that you regularly clean your stone sink with a mild dish detergent or stone cleaner. After each use, wipe the basin dry with a soft cloth. Do not allow mineral deposits such as iron, salt, lime, or soap to build up on your sink. Refrain from using acidic household cleaners, wipes with harsh chemicals, or abrasives, as these will damage stone.

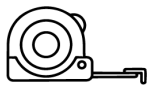
#### GETTING STARTED

Ensure that you have gathered all the required materials that are needed for the installation.

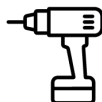
#### Tools Required



Pencil



Tape Measure

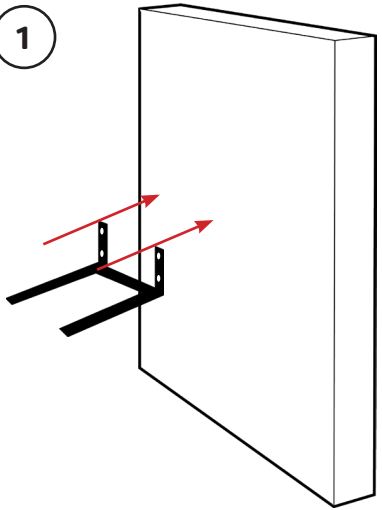


Power Drill

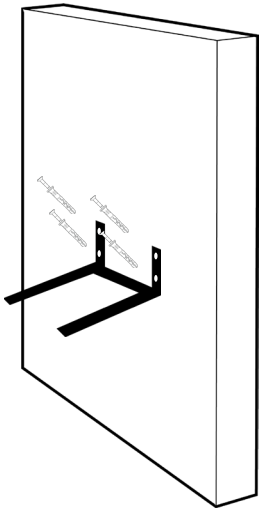


Spirit Level

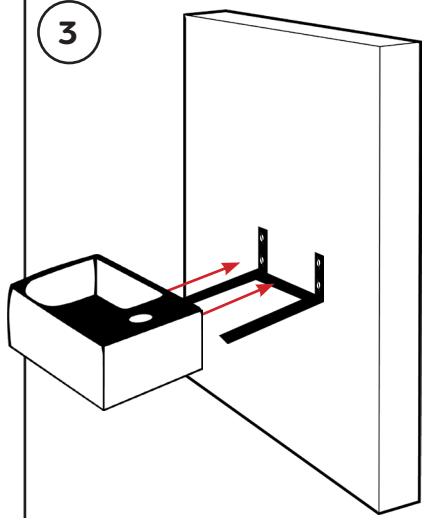
1



2



3



4

