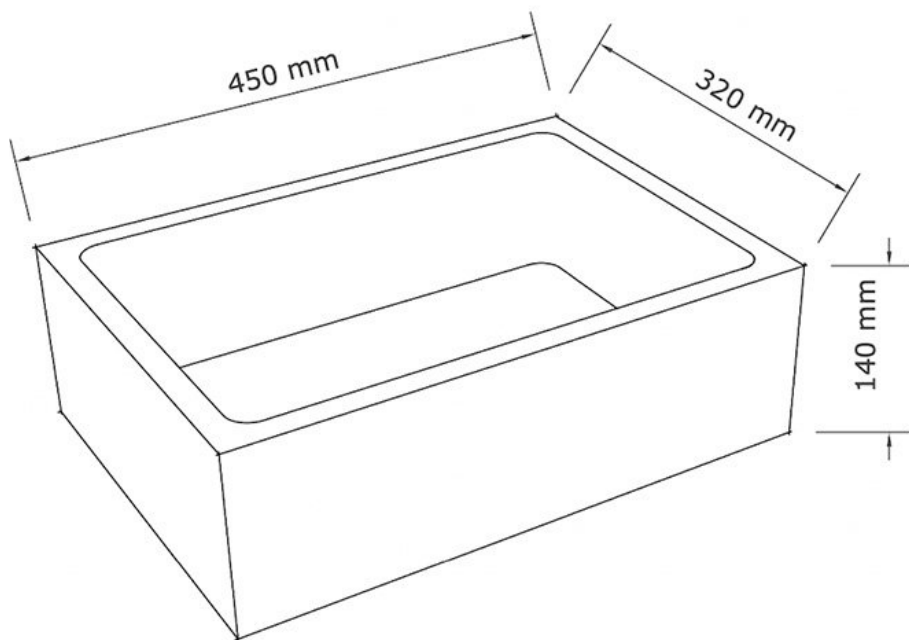


AREZZO

Florentina



Fitting Instructions

Please follow them carefully and
leave this manual with end user

AREZZO

Installation Guide

Installing A Washbasin

BEFORE YOU BEGIN

1. We recommend consulting a professional if you are unfamiliar with installing bathroom fixtures and plumbing. We accept no liability for any damage to the floor, walls, plumbing, vanity cabinet, sink, counter top, or personal injury during installation.
2. Observe all local plumbing and building codes.
3. Unpack the product then read these instructions before proceeding. And Inspect the sink for damage. If any damage is found, contact our Customer Relations team.

CLEANING AND MAINTENENCE

We recommend that you regularly clean your stone sink with a mild dish detergent or stone cleaner. After each use, wipe the basin dry with a soft cloth. Do not allow mineral deposits such as iron, salt, lime, or soap to build up on your sink. Refrain from using acidic household cleaners, wipes with harsh chemicals, or abrasives, as these will damage stone.

GETTING STARTED

Ensure that you have gathered all the required materials that are needed for the installation.

For the following instructions, it is assumed that the countertop is already in place.

Tools Required

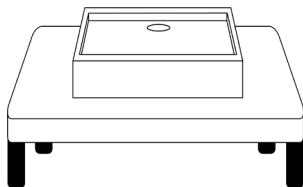


Silicone
Sealant

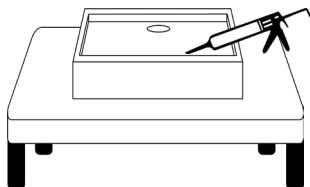


Damp Cloth

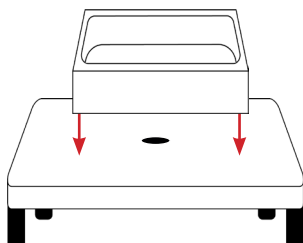
1. Carefully place the sink upside down on the counter with a towel or other soft cloth beneath to prevent damage.



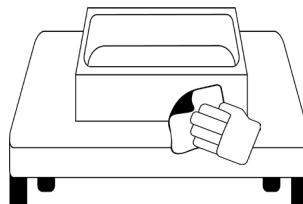
2. Apply a continuous bead of silicone to the base of the sink where it will rest on the counter.



3. Turn the sink right-side-up and position it back over the drain hole.



4. Remove any excess silicone with a damp cloth. Let the silicone dry for 24 hours.



5. Carefully fully install your waste into the cutout of your basin. Refer to the drain's installation for guidance.

