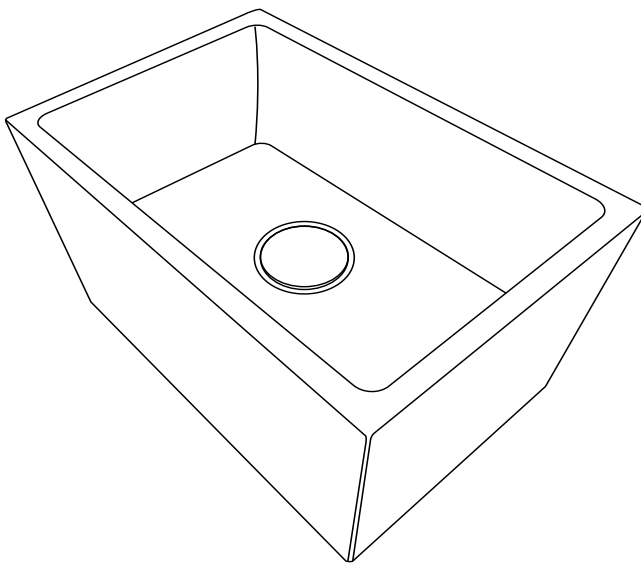


AREZZO

Stone Wall Hung Basin with Mounting Bracket



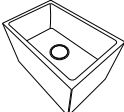

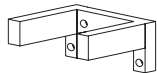
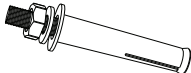
Fitting Instructions

Please follow them carefully and
leave this manual with end user

Before you begin:

1. **We recommend that this product is installed by a qualified tradesperson**, Victorian Plumbing Ltd. accept no liability for products incorrectly installed or any damage to the floor, walls, plumbing, vanity cabinet, sink, counter top, or personal injury during installation.
2. Observe all local plumbing and building codes & regulations.
3. **Attention: The sink must be fastened to load bearing wall.**
4. Ensure the incoming mains water supply is switched off prior to commencing the installation.
5. For the following instructions, it is assumed that the in-wall plumbing has already been prepared.
6. Unpack the product then read these instructions before proceeding. Inspect the product for damage. If any damage is found, contact our Customer Relations team.

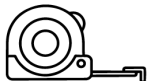
Items Included:

No.	Description	Picture	Qty
A	Basin		1
B	Waste & Waste-Pipe		1
C	Mounting Bracket		1
D	Steel Rawl Bolt		4

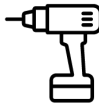
Tools Required (Not Included):



Pencil



Tape Measure



Power Drill



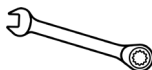
Spirit Level



Silicone Sealant



Damp Cloth



Spanner

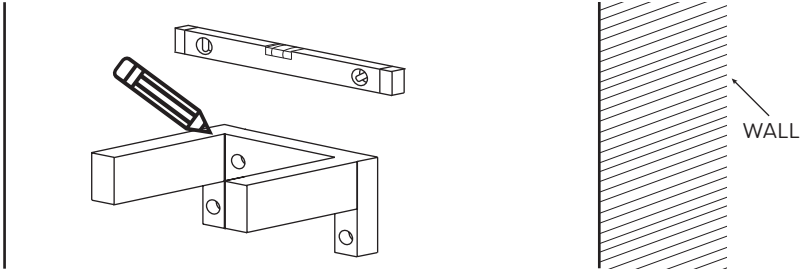


Rubber Hammer

Installation:

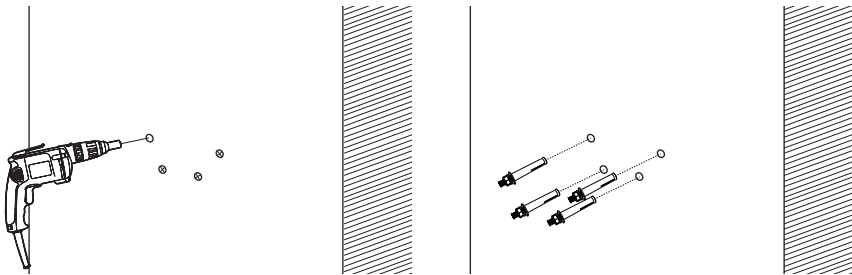
Step 1:

Hold the bracket up at the desired installation location. Ensure that the bracket is level, then mark the location of the anchor holes.



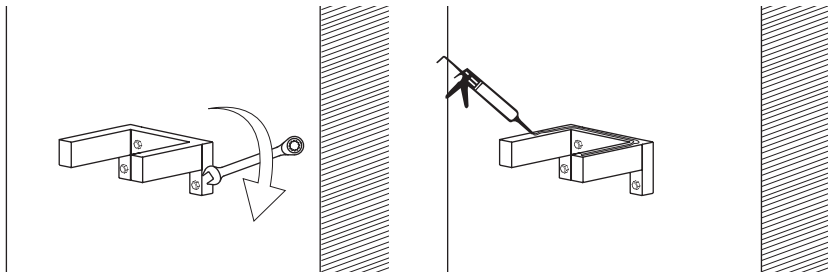
Step 2:

Move the sink away from the installation location. For convenience, install the waste onto the sink before moving on. Carefully drill the holes for the rawl bolts ensuring the correct sized masonry bit is used and insert the rawl bolt using a rubber hammer.



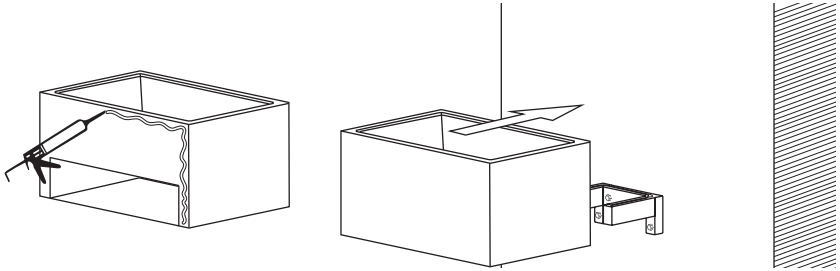
Step 3:

Place the mounting bracket into position and tighten with a spanner. Using a spirit level re-check to ensure the brackets are level. Make sure that the mounting bracket is securely fixed to the wall before proceeding with mounting the basin. Apply a bead of good quality silicone sealant along the bracket supporting arms.



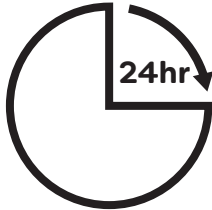
Step 4:

Pipe a bead of good quality silicone sealant along the rear of the basin. Place the basin onto the bracket while pushing the basin back against the wall and wipe away the excess silicone with a damp cloth. Ensure that the basin is level using a spirit level.



Step 5:

Allow the sealant to fully dry for 24 hours. Proceed to the installation of the drain trap, water supply lines. Refer to their respective installation instructions for guidance if needed.



Cleaning and Maintenance:

We recommend that you regularly clean your stone sink with a mild dish detergent or stone cleaner. After each use, wipe the basin dry with a soft cloth. Do not allow mineral deposits such as iron, salt, lime, or soap to build up on your sink. Refrain from using acidic household cleaners, wipes with harsh chemicals, or abrasives, as these will damage stone.

www.victorianplumbing.co.uk