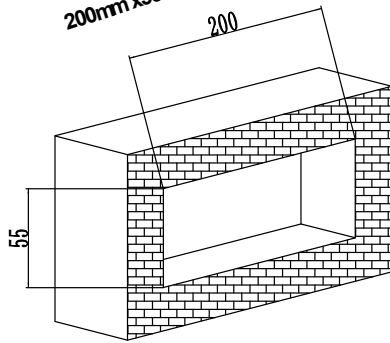
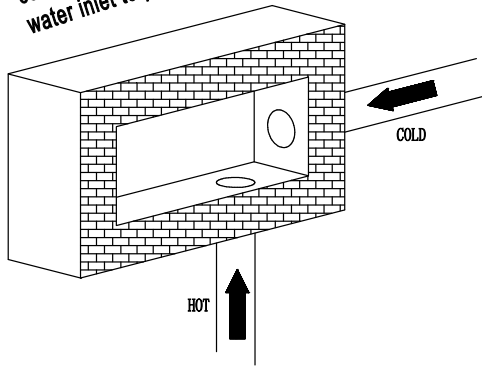


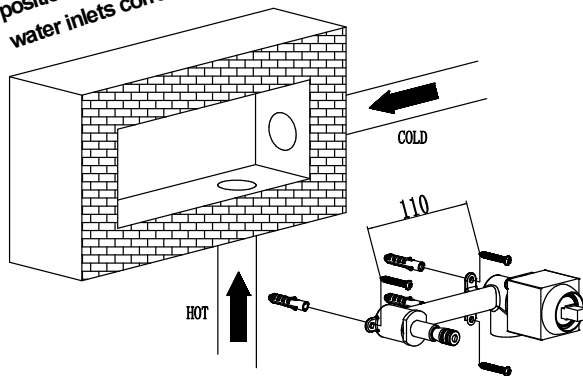
Step 1:
 Determine the fixing position for the faucet body. Make a groove in the wall according to the faucet body. The dimension of the groove should be 200mm x 55mm.



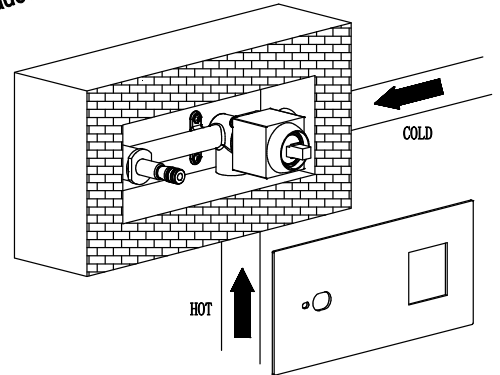
Step 2:
 Drill the holes on the wall and connect the cold water inlet and hot water inlet to proper positions.



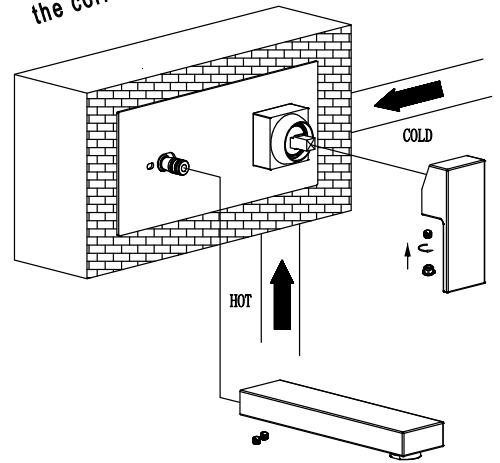
Step 3:
 Install the tap body to the right position and make sure Hot&Cold water inlets correct



Step 4:
 Secure the cover plate onto the faucet body with sealant.



Step 5:
 Install the spout and handle to the correct positions.



Step 5:
 Installation completed.

