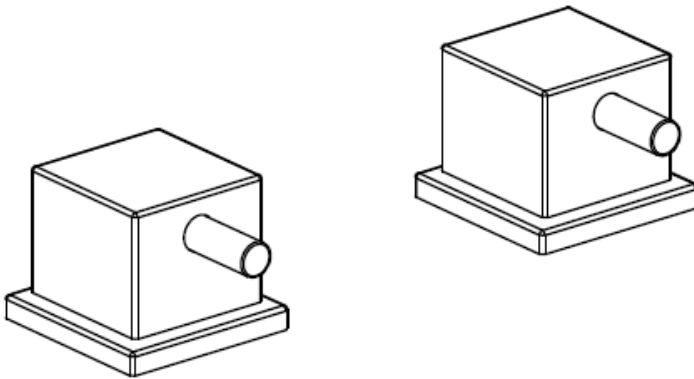


# Arezzo Square Deck Bath Side Valves

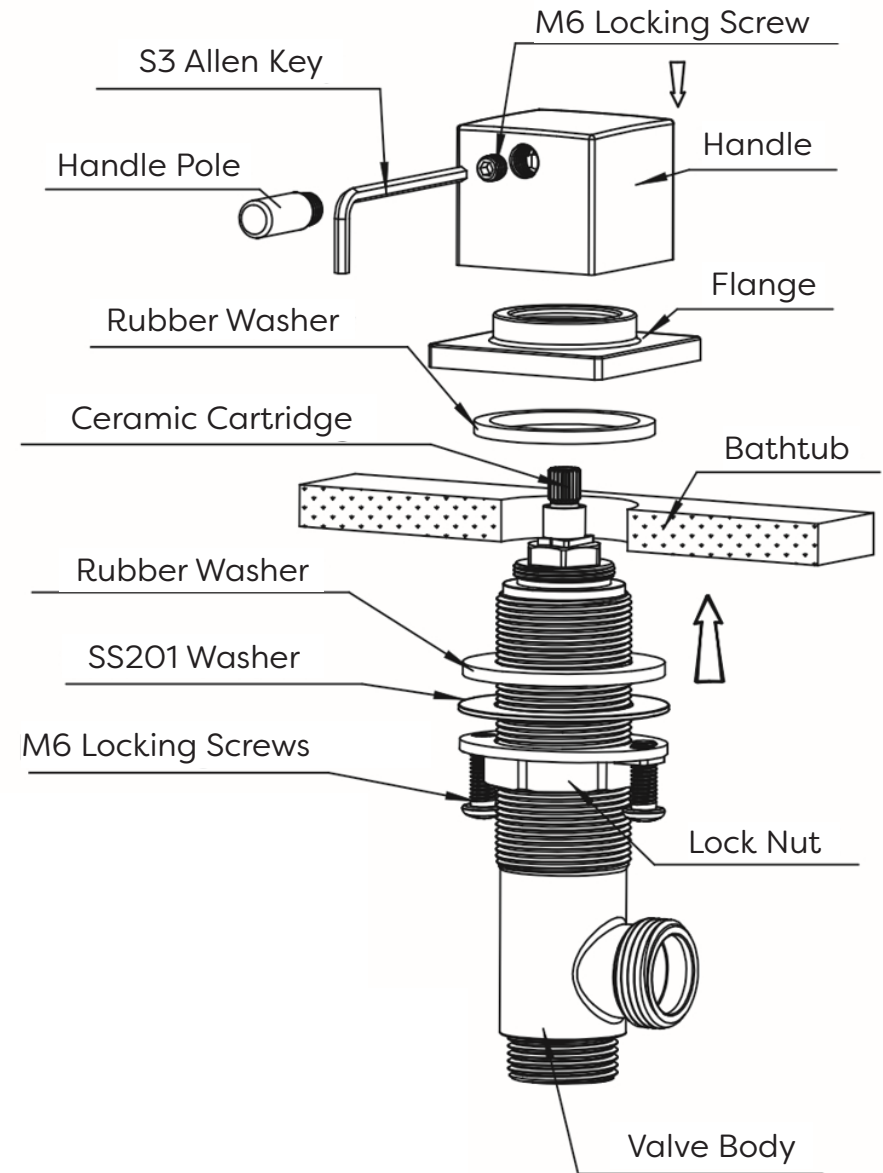


## **INSTALLATION INSTRUCTIONS**

**Please follow these care instructions to ensure your product retains it's high quality finish and please retain this leaflet for future reference.**

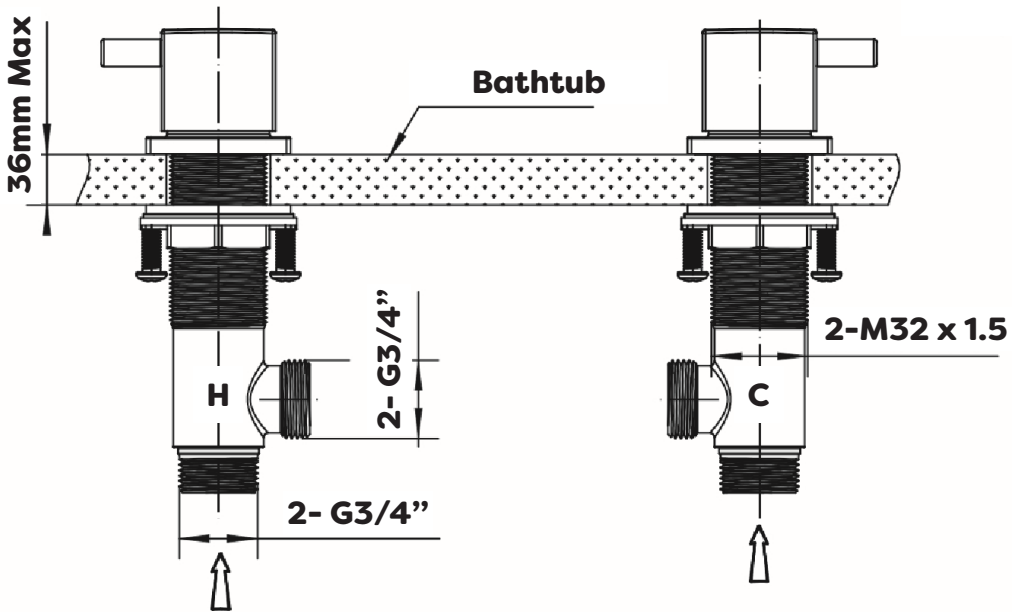
### Installation

1. Unscrew the handle pole, then using the S3 Allen Key loosen the M6 screw. Remove the handle, flange and rubber washer from the valve body
2. Place the valve body up through the underside of the bathtub hole and re-attach the flange to the valve body.
3. Put the handle on top of the ceramic cartridge (paying close attention to the direction and position of the handle), then secure the valve to the bath using the lock nut
4. Place the locking screw back into the handle and tighten with the S3 Allen Key. Screw the handle pole back into the handle
5. Connect to the inlet and outlet pipe
6. Check all joints and connections for leaks



### **WARNING!**

**We recommend that this product is installed by a qualified tradesperson and we accept no liability for products fitted incorrectly, and where the correct testing procedures have not been used, resulting in the escape of water.**



Diagrams are for illustration purposes only. Your tap may superficially differ from this drawing, however the installation guide steps still apply.