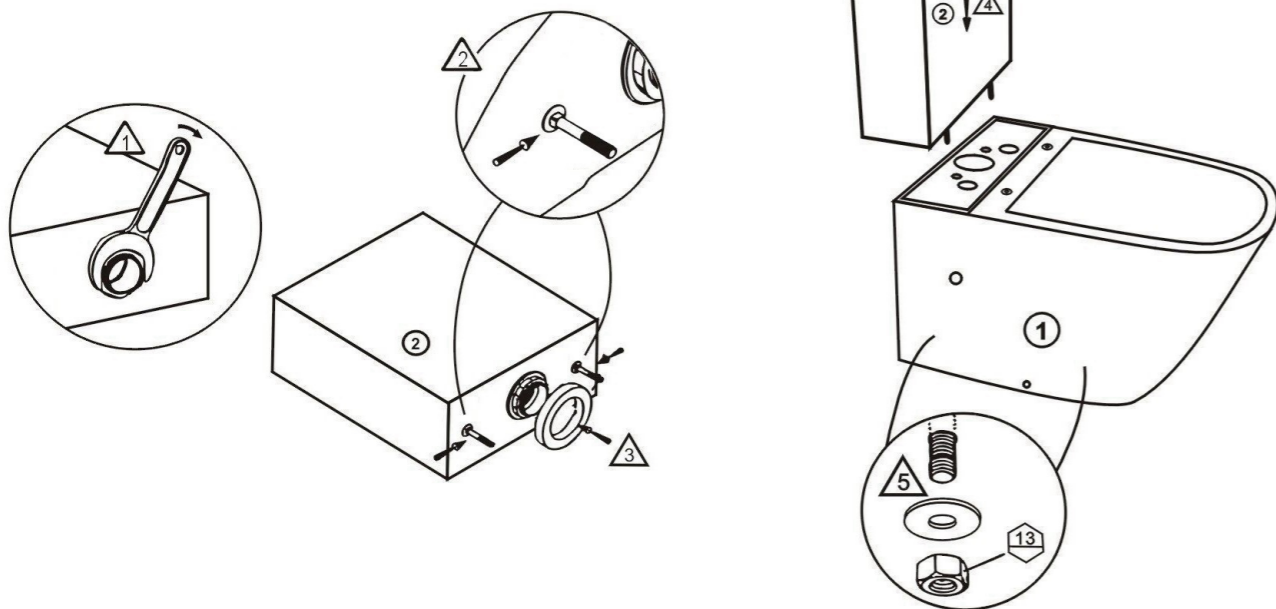


Notes:
 Wall-outlet 180mm nominal height
 Adjustable Set-out Uni-connector (150mm nominal set out off finished wall)
 secondary horizontal off-set may be used if necessary

Attention: We do not recommend to install the toilet with concrete since this would make future servicing more difficult.



Installation diagram

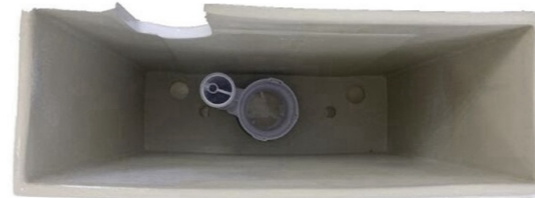
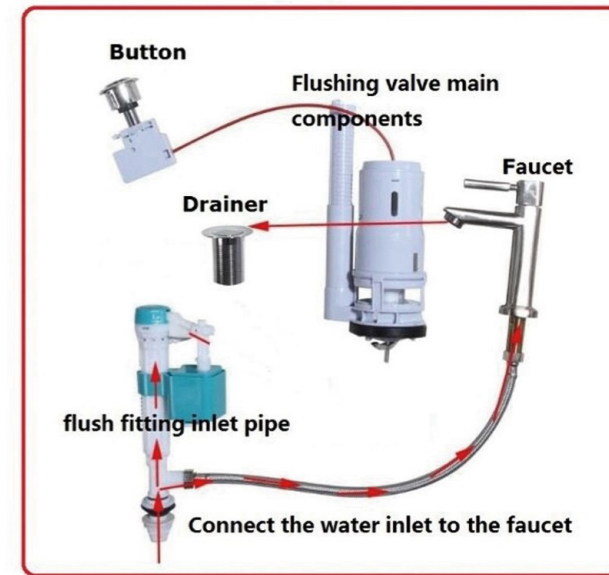
1. The tap was mounted on the washbasin, then connect the inlet pipe



2. Press the button



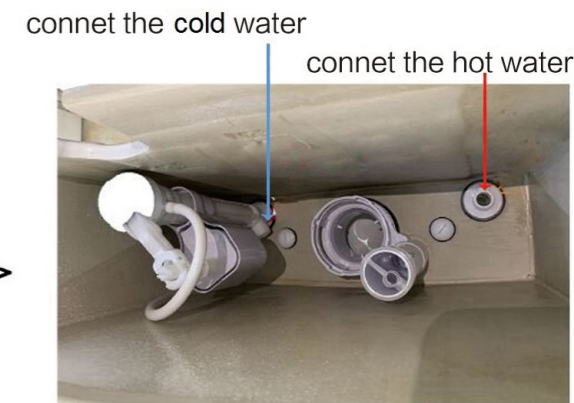
Flush fitting diagram



3. Install drain valve



4. Install the intake pipe and lock screw



5. Water pipe connection fittings



6. Put it on the toilet bowl and lock the screw



7. Install the seat cover