



We recommend this product is installed by a fully qualified tradesperson.

### **Tools Required (not supplied)**

Pencil; Tape measure; Screwdriver appropriate to fixings; Spirit level; Drill; Masonry drill bit appropriate to fixings, Ceramic drill bit (optional) appropriate to fixings.

### Home Safety Advice

- It is recommended that two people fit this product to ensure that it is fitted safely.
- Always take care when using power tools, particularly in the bathroom.
- Always check for hidden cables and pipework before drilling and take extreme care if there is any water in the working area.
- It is advisable to use a residual current circuit breaker (RCCB).
- Always wear suitable eye protection when drilling.
- If the product is to be fitted on a ceramic tiled wall, a ceramic drill bit should be used.
- Always ensure that the drill hole passes through the central tiled area rather than through the grouted area. To prevent damage to the tile, mask the area around the hole with tape before drilling.
- Do not strike the product with hard or sharp objects.
- Warning! This product has been designed as a seat only and should not be used for any other purposes.

Maximum Weight – 160 kg evenly distributed about the seat.

### Product Location

Shower seats are only as strong as the wall to which they are fixed and the fixings that are used. For different wall types you will need to ensure that you are using the correct type of fixing for the material of the wall. The addition of backboards on the outside of the wall or appropriate strengthening of internal structures may be required to provide adequate wall strength.

### Product Care

To retain the best quality finish, clean product regularly with a soft damp cloth. Do not use abrasive or chemical cleaners as these will damage the product. Dry the shower seat after use.

Note: If the wall is made of lightweight thermal blocks, aerated hollow brickwork, or prefabricated partitions, even the most appropriate fixings may not be able to withstand the loads which can be suddenly applied to shower seats.

### Recycling and disposal

Please recycle the packaging in accordance with your local government regulations on waste handling and follow the same advice at the end of the products' life.

### For more Information

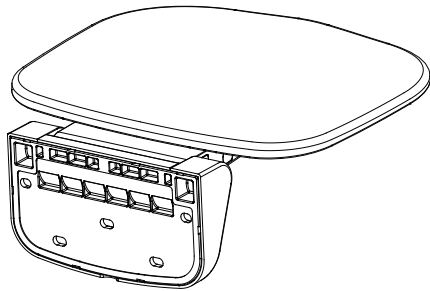
Visit: [victorianplumbing.co.uk](http://victorianplumbing.co.uk)

# INSTALLATION INSTRUCTION

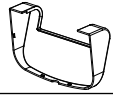
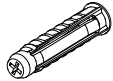
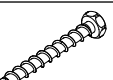

## NOTE

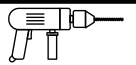

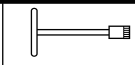
- Please read the instructions carefully, get to know our shower seat and get prepared with the correct tools in advance. Follow the instructions to install the shower seat correctly.
- After reading the instructions keep them safe for future reference.

## Shower seat and Accessory set



Shower seat

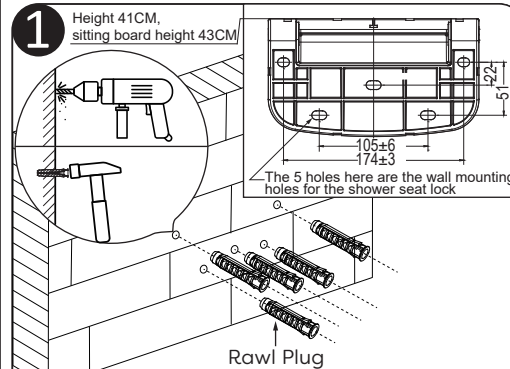
Parts	
	Base Cover x1
	Rawl Plugs x5
	Hexagon Screw x5
	Mounting Hole Template x1

Installation Tools Needed		
		
Drilling machine	Hammer	Socket wrench

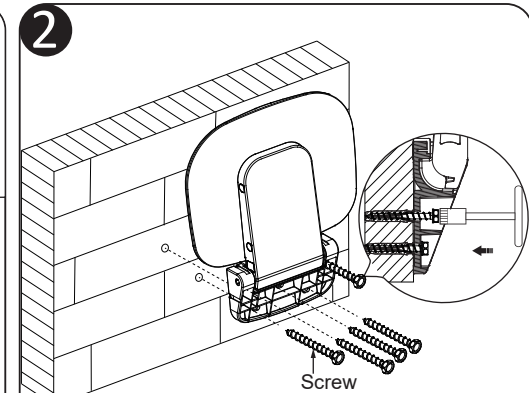
## Cautions

- 1: Please check the wall prior to install to confirm it will take the maximum weight load
- 2: Prior to drilling, check there is no plumbing pipes or cables.
- 3: Check contents to ensure all install fittings are within the packaging.
- 4: Ensure a 10mm masonry drill bit is used
- 5: Make sure the hole depth is 65mm.
- 6: The recommended height between the seat and ground is about 40-48cm.

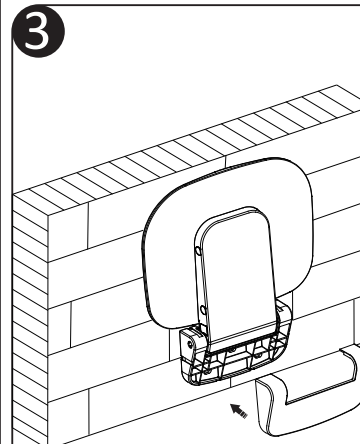
## INSTALLATION



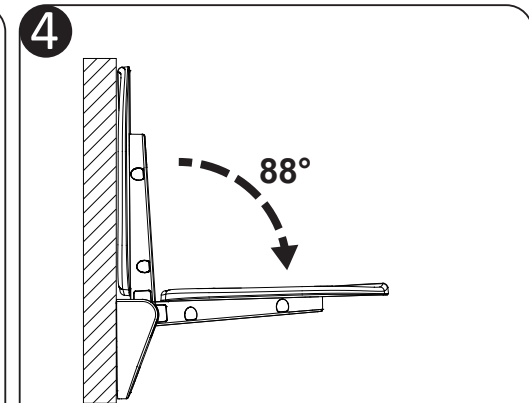
1. Firstly, drill 5 holes in the wall according to the screw holes of our shower seats (the drilling bit is 10mm, the holes depth is 6.5cm, based on the length of screws). Then use the hammer to knock the Rawl Plugs into the wall holes.



2. Place the shower seat on the wall, align the screw holes with the wall holes, and then tighten the screws with a socket wrench.



3. Fit the base cover tightly.



4. After installation, fold up the seat when not to use it and unfold it when to use.

**\*Note: The drilling bit is 10mm, and the drilling depth is greater than or equal to 6.5cm**