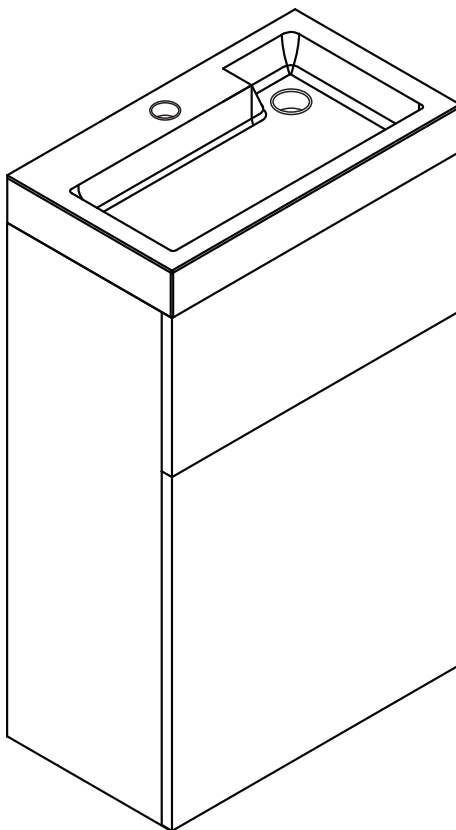


AREZZO

2-In-1 WC Unit & Wash Basin



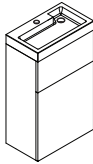
Fitting Instructions

Please follow them carefully and
leave this manual with end user

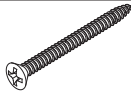


Before you begin:

1. **We recommend that this product is installed by a qualified tradesperson**, Victorian Plumbing Ltd. accept no liability for products incorrectly installed or any damage to the floor, walls, plumbing, WC unit, basin, or personal injury during installation.
2. **Check the chosen wall space for any pipes/cables prior to drilling**
3. **Ensure the chosen cistern, toilet pan, basin taps, and basin waste are the correct size for this 2-In-1 unit.**
4. Observe all local plumbing and building codes & regulations.
5. Ensure the incoming mains water supply is switched off prior to commencing the installation.
6. For the following instructions, it is assumed that the in-wall/floor plumbing has already been prepared.
7. Unpack the product then read these instructions before proceeding. Inspect the product for damage. If any damage is found, contact our Customer Relations team.

Items Included:

No.	Description	Picture	Qty
A	WC Unit & Basin		1

Recommended Fixings (Not Included):

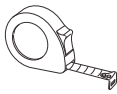
No.	Description	Picture	Qty
B	Screws		4
C	Rawl Plugs		4
D	Washers		4

Tools Required (Not Included):

Ensure the appropriate PPE is used during installation



Pencil



Tape Measure



Drill



Screw Driver



Spirit Level



Silicone



Jigsaw

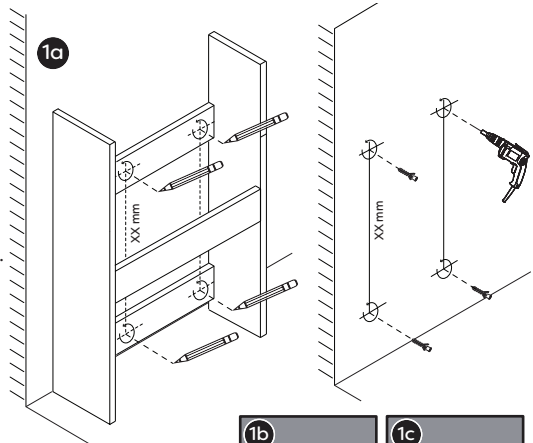
Installation

Note: Diagrams are for illustration purposes only. Your WC Unit & Basin may superficially differ from these drawings however the installation guide steps still apply.

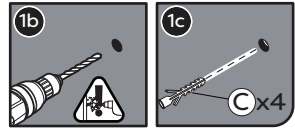
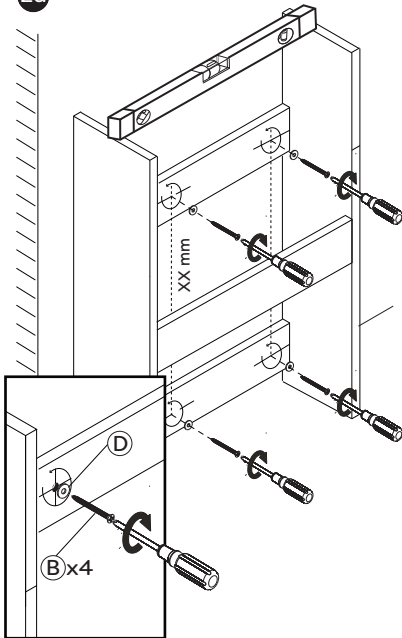
Mounting Installation:

Step 1:

- Place the 'Unit' up against your chosen wall, then mark the positions for the holes at the back plinth of the unit. Ensure the markings on the back plinth match the markings on the wall.
- Drill the holes in the wall using the appropriate sized drill bit, then insert the 'Rawl Plugs' (C).



2a

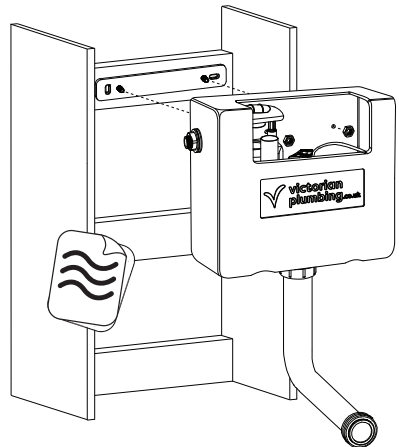


Warning:
Check the chosen wall space for any pipes/cables prior to drilling!

Step 2:

- Place the 'Unit' up against your chosen wall. Using the 'Screws' (B) and 'Washers' (D), secure the unit to the wall by screwing into the 'Rawl Plugs'. Check that the 'Unit' is level using a spirit level.

3a

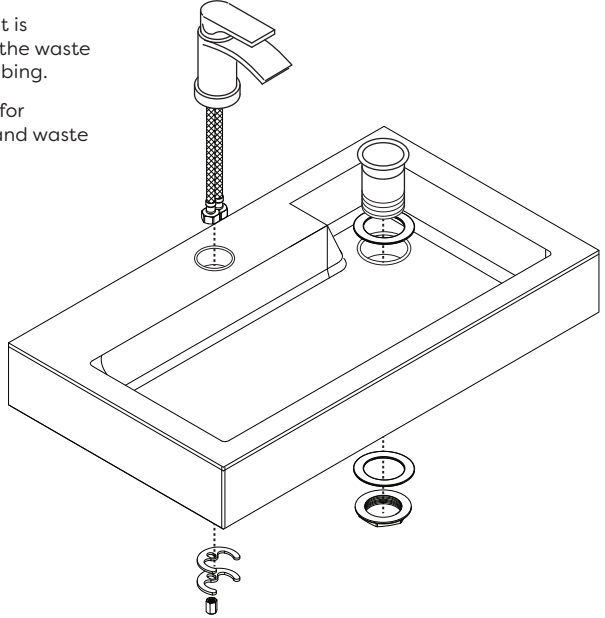


Step 3:

- Prepare the concealed cistern prior to installation, then mount the cistern to the 'Unit'. Refer to the instructions of the concealed cistern for guidance if needed.

Pre-Dressing (Not Included)

- Before fitting the basin, it is recommended to install the waste and tap for ease of plumbing.
- Refer to the instructions for installing the basin tap and waste for guidance if needed.

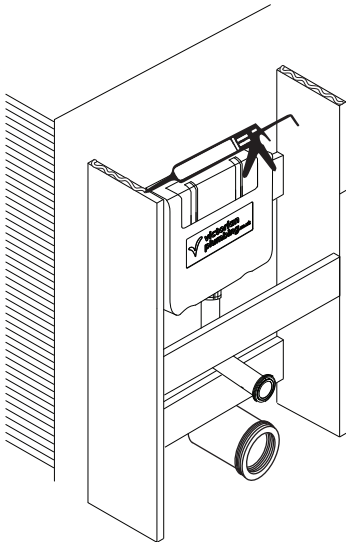


Basin Installation:

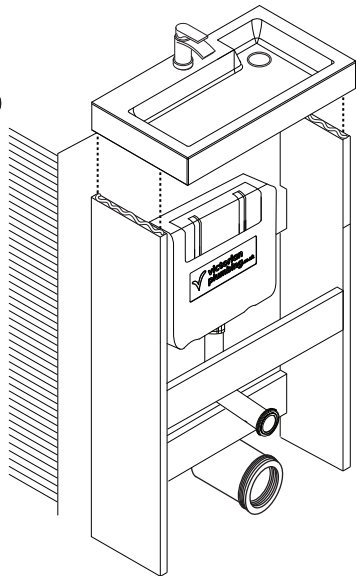
Step 1:

- Pipe a fine bead of good quality silicone sealant around the top edge of the 'Unit' and place the 'Basin' onto the 'Unit'.

1a

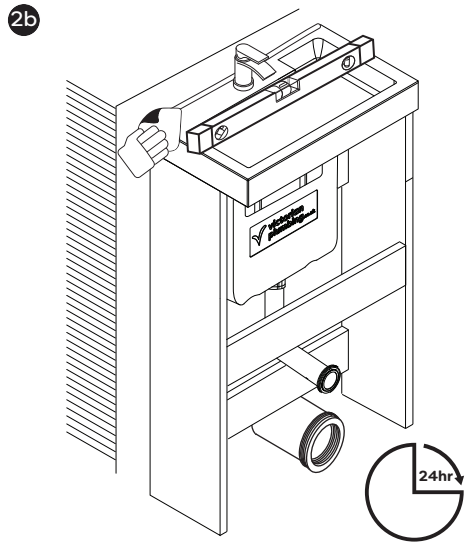
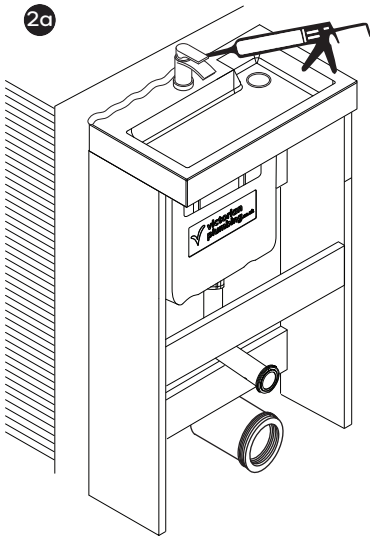


1b



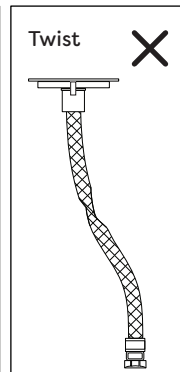
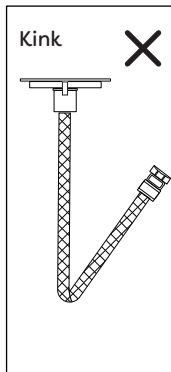
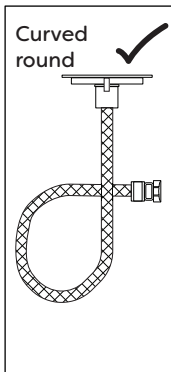
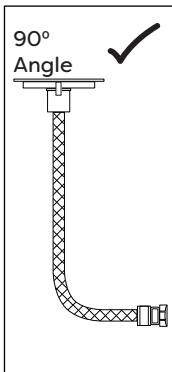
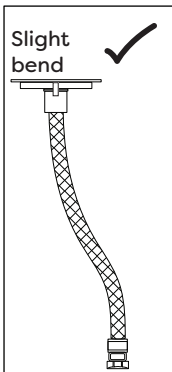
Step 2:

- Pipe a fine bead of good quality silicone sealant at the back to the 'Basin' to prevent water ingress.
- Wipe away any excess silicone with a damp cloth and allow 24 hours for the sealant to fully dry. Ensure all parts are level using a spirit level.



Flexible Connecting Pipes

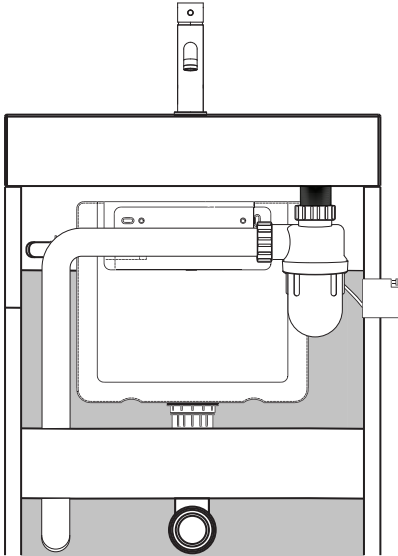
When installing the flexi-pipes to the household pipework. Special care must be taken to ensure they do not bend sharply causing a kink or twist. Failure to do so may result in poor performance and damage to the flexi-pipes.



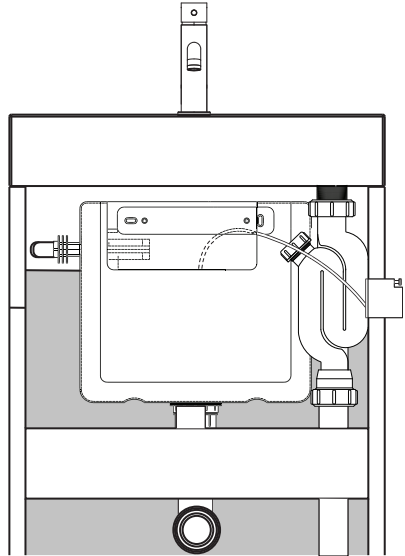
Waste Pipe Installation (not included):

Connect the waste trap and waste pipe to the threaded tail of the sink waste. Ensure that there is enough room for the basin waste trap. Below are the following examples of waste traps that can apply.

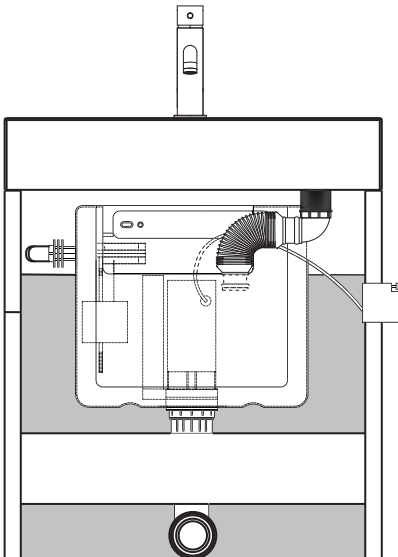
Note: Diagrams are for illustration purposes only, refer to the installation instructions of your chosen waste trap for guidance if needed.



(Bottle Trap)



(Straight Through Pedestal Trap)



(Waste Trap for Furniture Basins)

For a water saving feature, a universal waste trap with a flexible pipe can be connected from the thread tail of the sink waste into the cistern tank.

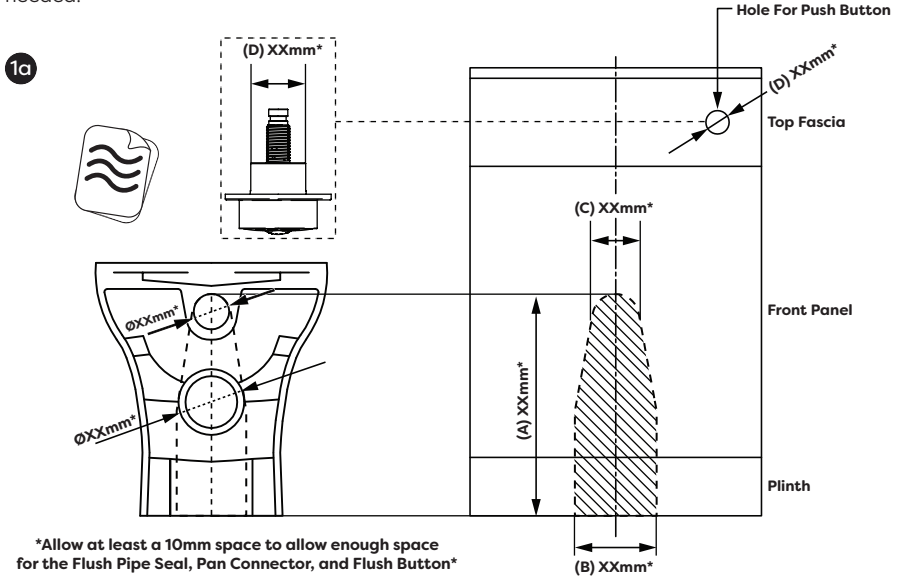
Panel Cut-Out

Note: The following guide assumes that the front panel of the WC Unit and Top Fascia can be detached, however the installation guide steps still apply if your chosen WC Unit does not have this feature.

Step 1:

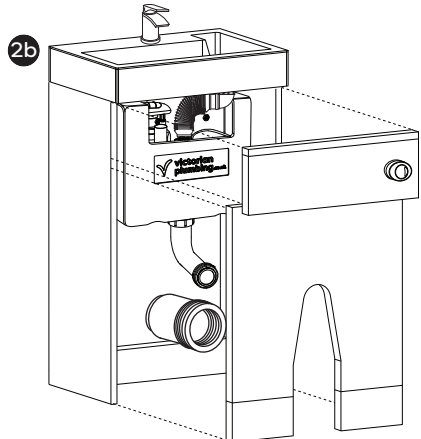
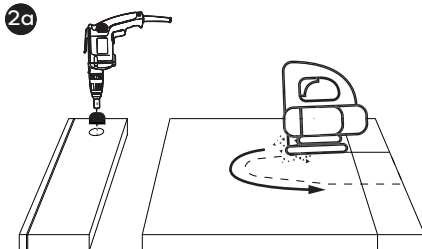
Place your chosen Pan on the finished surface floor and remove the front panel from the 'WC Unit'. Measure the height (A) from top outer edge of the Flush Inlet Hole, to the floor. Then Measure the width of the outer edge of the Waste Spigot (B) and Flush Inlet Hole (C). Mark the measurements onto your 'WC Unit' (as shown in the diagram below), refer to the instructions of the Pan for guidance if needed.

Measure the radius of your chosen Flush Button (as shown in diagram below). Then mark the measurement onto your 'WC Unit', refer to the instructions of the Flush Plate for guidance if needed.



Step 2:

Carefully cut-out the markings on the panel using the appropriate sized hole saw and jig saw, ensuring a clean cut. Install the flush button on the top fascia, then insert the panel back onto the 'WC Unit'. Proceed to completing the installation of the Concealed Cistern, Flush Button and Pan.



ANY CUT SURFACES/EDGES NEED TO BE SEALED AGAINST WATER INGRESS.

Cleaning and Maintenance:

We recommend that you regularly clean your basin with a mild dish detergent. After each use, wipe the basin dry with a soft cloth. Do not allow mineral deposits such as iron, salt, lime, or soap to build up on your basin. Refrain from using acidic household cleaners, wipes with harsh chemicals, or abrasives, as these will damage the basin.

Please Note: Unit is water resistant, but not waterproof. All spillages and splashes should be wiped dry, failure to do so may shorten the life expectancy of the product and invalidate any guarantees.

Recycling and Disposal:

Please recycle the packaging in accordance with your local government regulations on waste handling and follow the same advice at the end of the products life.