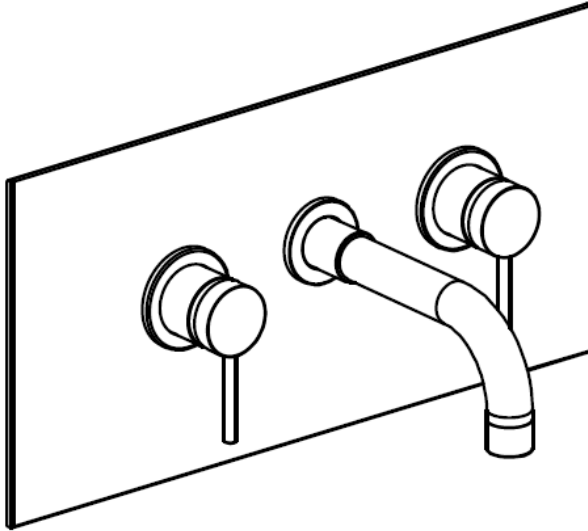
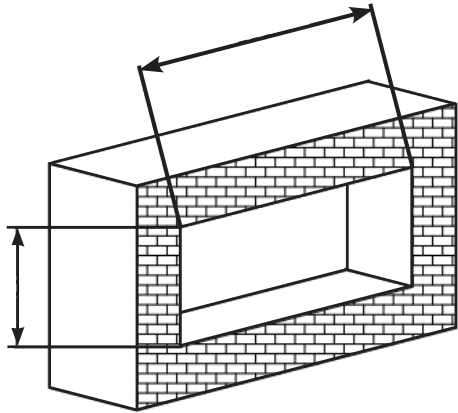


Arezzo Round 3 Hole WM Basin Tap



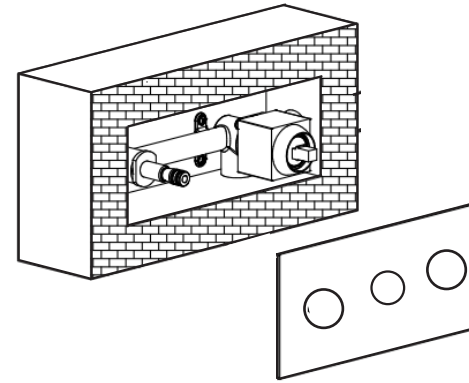
INSTALLATION INSTRUCTIONS

Please follow these care instructions to ensure your product retains it's high quality finish and please retain this leaflet for future reference.



Step 1

Determine the fixing position for the valve and make a recess in the wall to house the valve.



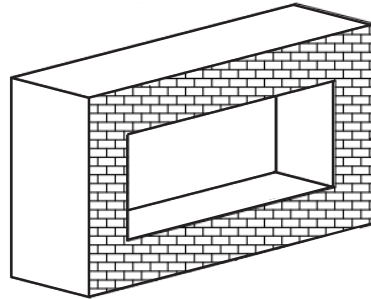
Step 4

Secure the cover plate to the valve body/wall. Use a good quality bathroom sealant to secure this to the wall.

Step 2

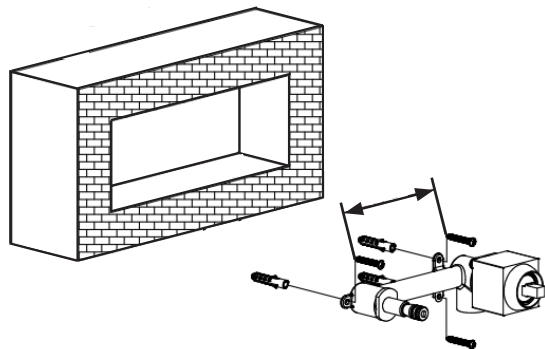
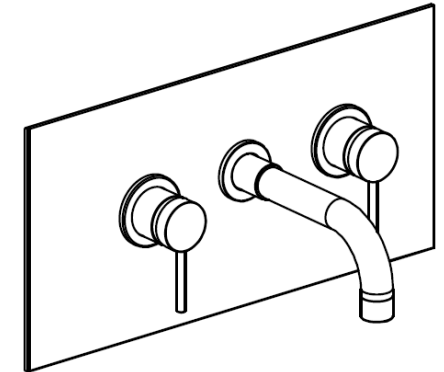
Drill the holes in the wall for the hot and cold inlet pipes.

Connect the inlet pipes to the correct inlets (Cold on the right and Hot underneath)



Step 5

Install the spout and the handle into the correct positions and secure.



Step 3

Insert the valve into the wall recess, then mark the fixing points and drill. Secure to the recess with wall plugs and screws. Install the tap body to the right position and make sure Hot & Cold water inlets correct

WARNING!

We recommend that this product is installed by a qualified tradesperson and we accept no liability for products fitted incorrectly, and where the correct testing procedures have not been used, resulting in the escape of water.