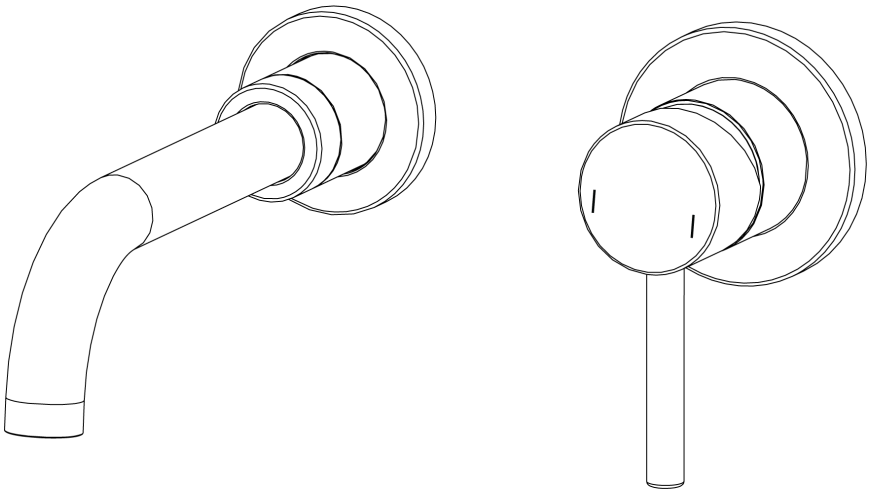


AREZZO

Two Hole Basin Mixer Tap



Fitting Instructions

Please follow them carefully and
leave this manual with end user

Installation Guide

Before installation, please read this guide carefully.

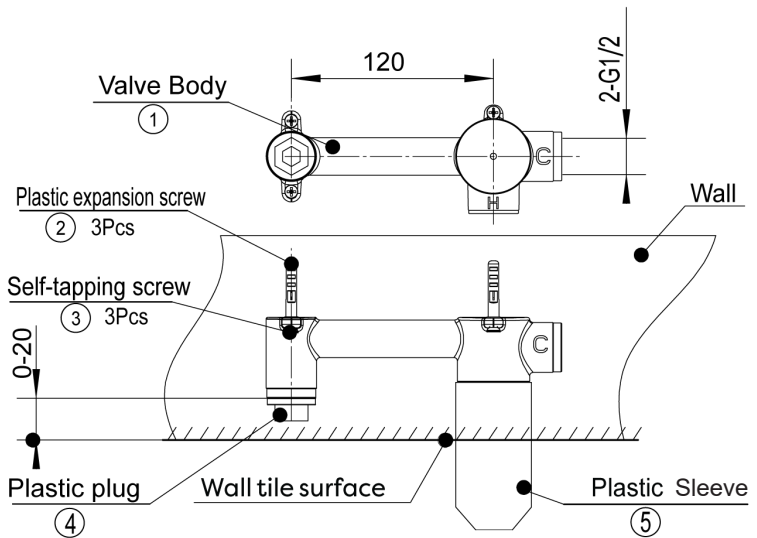
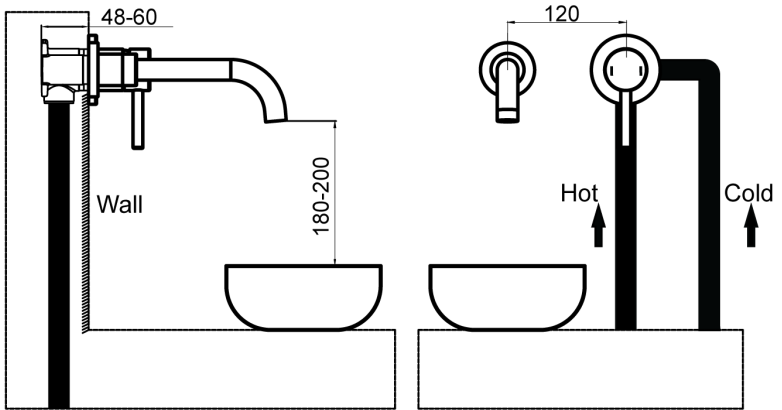
1. We recommend that this product is installed by a qualified accredited tradesperson, Victorian Plumbing Ltd. accept no liability for products incorrectly installed, or where the correct testing procedures have not been adhered to, thus resulting in the escape of water and consequential damage.
2. Ensure the incoming mains water supply is switched off prior to commencing the installation.
3. Observe all local plumbing and building codes & regulations.
4. Carefully inspect the product for damage. If any damage is found, immediately contact our Customer Relations Team.

Installation:

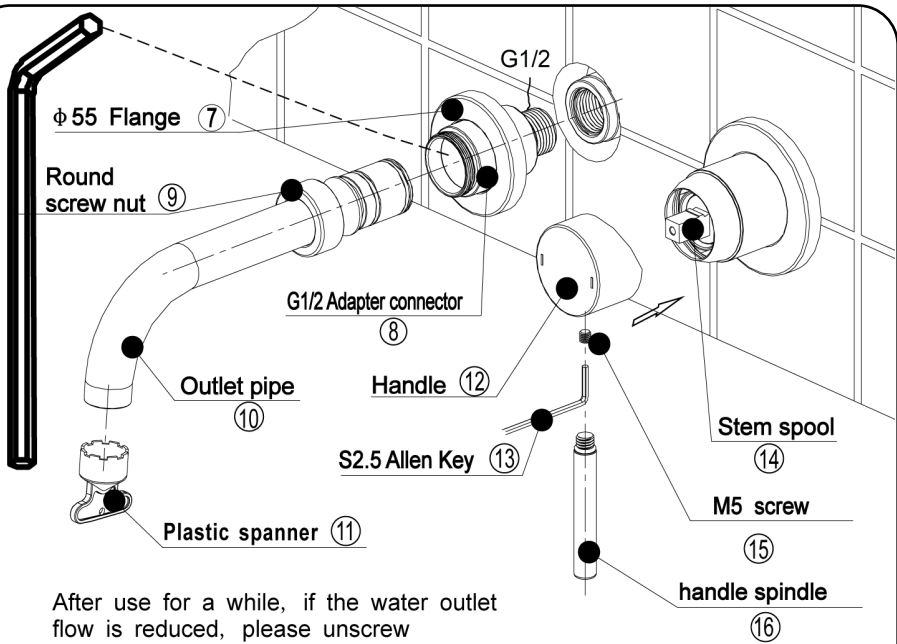
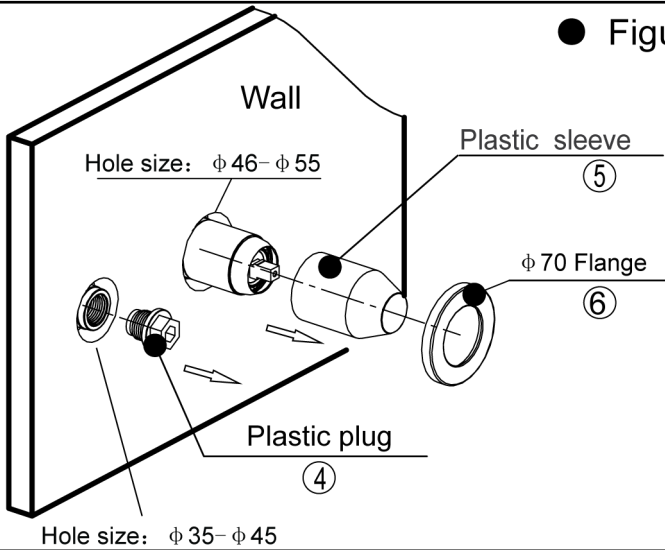
1. As shown in **Fig.1**, Use three plastic expansion screws (**NO. 2**) and self tapping screws (**NO. 3**) to fix the Valve body (**NO. 1**) to a suitable position on the wall
2. Connect the cold and hot inlet water pipe with the two G1/2" female threads of the valve body (**NO. 1**). Wrap PTFE tape on the threads.
3. Remove the plastic sleeve (**NO. 5**), screw the plastic plug (**NO. 4**) onto the valve tap body (**NO. 1**) tightly.
4. Open the hot and cold water supply, check all the joints and connections of the valve body for any leakage. Then put the plastic sleeve (**NO. 5**) back on after confirming that there is no leakage.
5. Decorate the wall (pay attention to the size of the hole).
6. As shown in Fig. 2. Unscrew the plastic plug (**NO. 4**), then remove the plastic sleeve (**NO. 5**), then install the flange (**NO. 6**).
7. As shown in Fig.3, unscrew the round screw nut (**NO. 9**), then pull out the water outlet pipe (**NO. 10**).
8. Wrap PTFE tape to the G1/2" thread of the adapter connector (**NO.8**), then screw the adaptor connector (**NO. 9**) to the G1/2" female thread of valve body.
9. Install the flange (**NO. 7**).
10. Insert the outlet pipe (**NO. 10**) to the inner hole of connector (**NO. 8**), then use round screw nut (**NO. 9**) to fix the outlet pipe (**NO. 10**). (Pay attention that the outlet pipe (**NO. 10**) must be inserted in place.)
11. Unscrew the handle spindle (**NO. 16**), loose the M5 screw (**NO. 15**) with S2.5 Allen key (**NO. 13**), then place the handle (**NO. 12**) on the stem pool (**NO. 14**). Tighten the M5 Screw (**NO. 15**) with S2.5 Allen Key to fix the handle (**NO. 12**). (Pay attention to the direction of the handle.)
12. Screw the handle spindle (**NO. 16**) on the handle (**NO. 12**).
13. Open the hot and cold water supply, check all the joints and connections for any leakage.

● Figure 1

Installation diagram



● Figure II



After use for a while, if the water outlet flow is reduced, please unscrew the aerator by plastic spanner to clean.

● Figure III

Aftercare:

When installing or using tools, extra care must be taken to avoid damaging the finish or fitting. To maintain the appearance, please ensure it is cleaned regularly using a clean soft damp cloth only. Abrasive cleaners or detergents must not be used as they may cause surface deterioration.