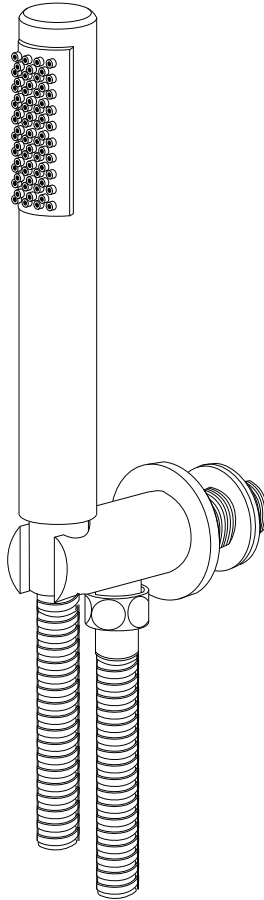


AREZZO

Round Outlet Elbow with Parking Bracket, Flex & Handset



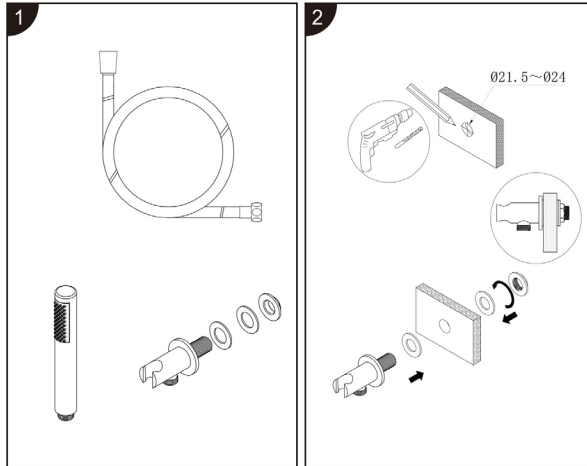
Fitting Instructions

Please follow them carefully and
leave this manual with end user

Before you begin:

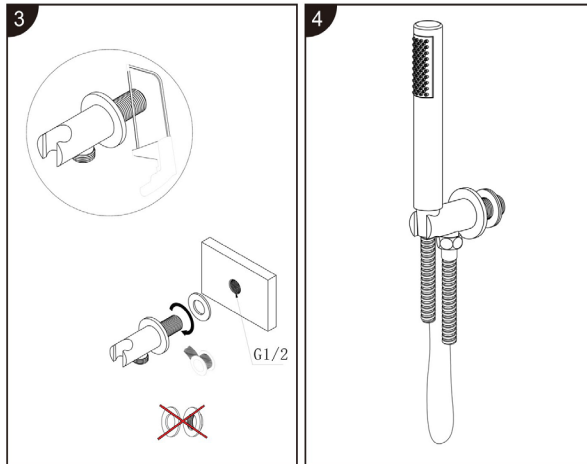
1. **We recommend that this product is installed by a qualified tradesperson**, Victorian Plumbing Ltd. accept no liability for products incorrectly installed, or where the correct testing procedures have not been adhered to, thus resulting in the escape of water and consequential damage.
2. Ensure the incoming mains water supply is switched off prior to commencing the installation.
3. Observe all local plumbing and building codes & regulations.
4. Unpack the product then read these instructions before proceeding. Inspect the product for damage. If any damage is found, contact our Customer Relations team.

Diagram



Make sure that all components are present prior to installation.

Cut an appropriate sized hole in the wall if needed, use condenser to connect to the internal pipe work.



Wrapping PTFE sealing tape onto the thread, and connect to the water outlet.

Assemble the handset and hose. Turn on the water supply, check all the joints for any leaks.