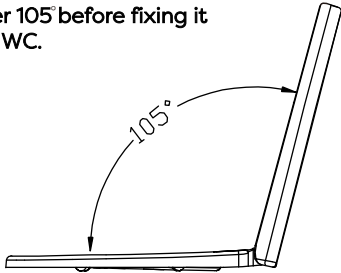
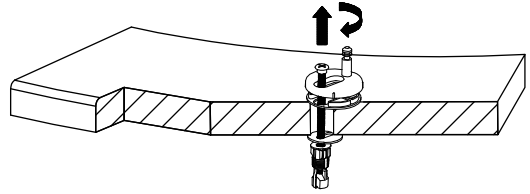


Installation Instructions

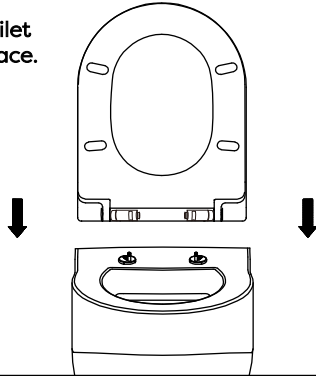
- 1.** Make sure the seat and lid is not open over 105° before fixing it onto the WC.



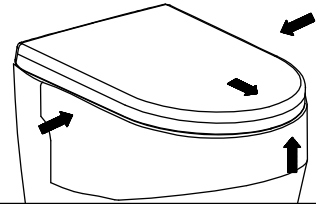
- 2.** Now insert the hinge set into the hole.



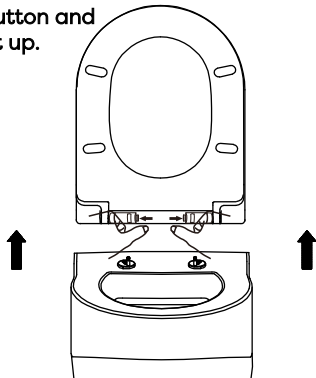
- 3.** Fix the toilet seat in place.



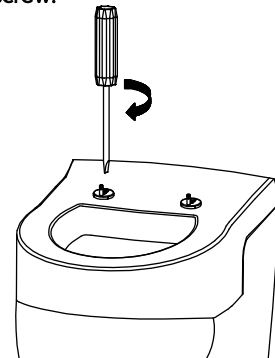
- 4.** Adjust to fit the ceramic pan.



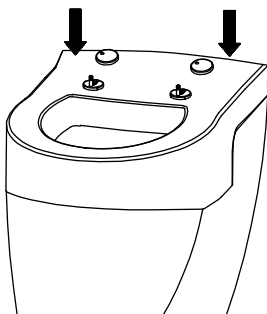
- 5.** Push the button and lift the seat up.



- 6.** Tighten the screw.



- 7.** Place the covers on the hinges.



- 8.** Attach the seat onto the hinges.

