

WC UNIT FLUSH BUTTON FITTING INSTRUCTION

Before you Begin:

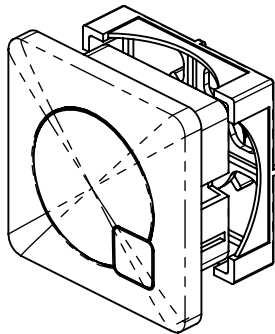
- This instruction shows how to fit a flush button and covers various styles.
- Unpack the product then read these instructions before proceeding. Inspect the product for damage. If any damage is found, contact our Customer Relations team.

Recycling and Disposal:

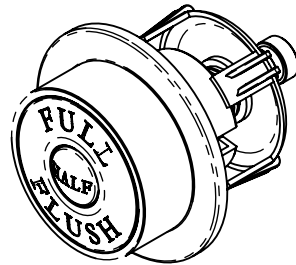
- Please recycle the packaging in accordance with your local government regulations on waste handling and follow the same advice at the end of the products life.

1

SQUARE HOLE VERSION

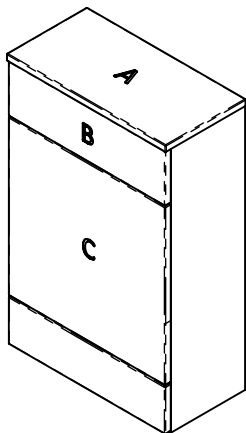


ROUND HOLE VERSION



Make sure that all components are present prior to installation.

2

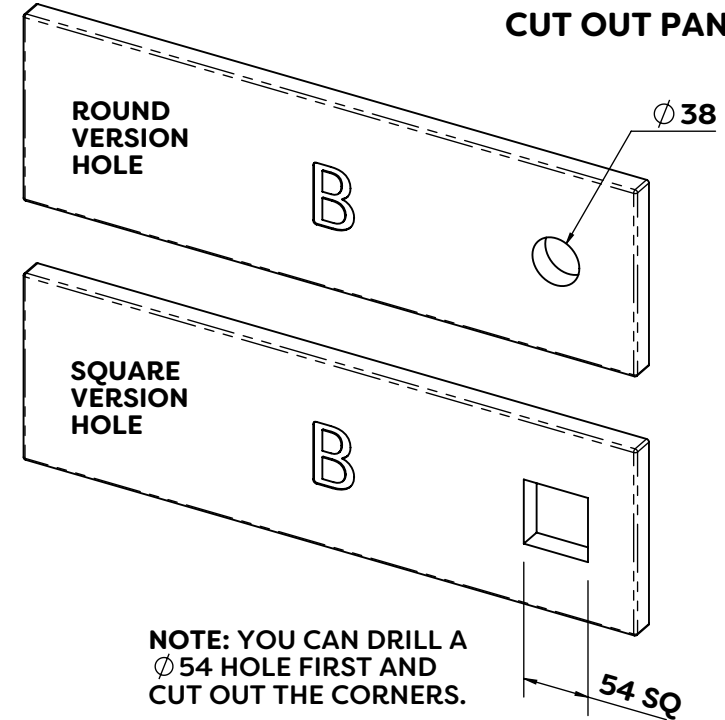


Choose which side of the WC unit you wish to fit the flush button in panel B.

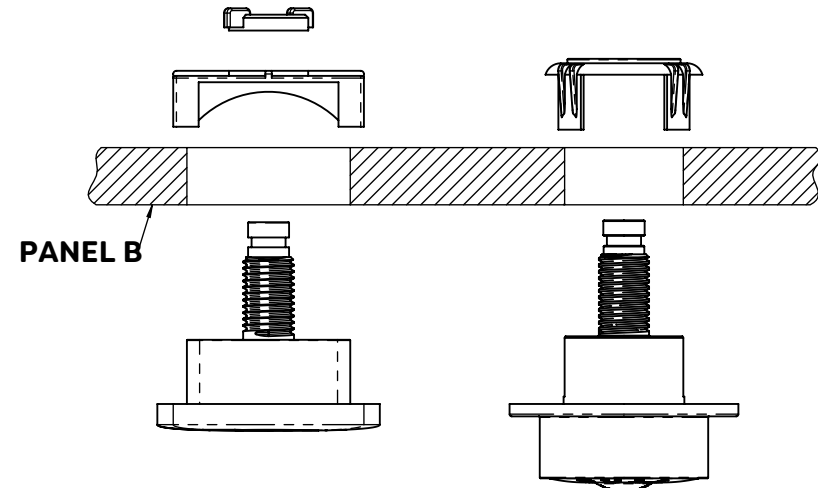
Clearance is required behind the button. It must be to the side of the internal water tank.

3

CUT OUT PANEL B



4



Once fitted, connect the syphon to the back thread of the flush button.
Check the flush operation.