

# **Bath Waste**

**INSTALLATION  
INSTRUCTIONS**

**Please follow these care instructions to ensure your product retains it's high quality finish and please retain this leaflet for future reference.**

Installation Notice

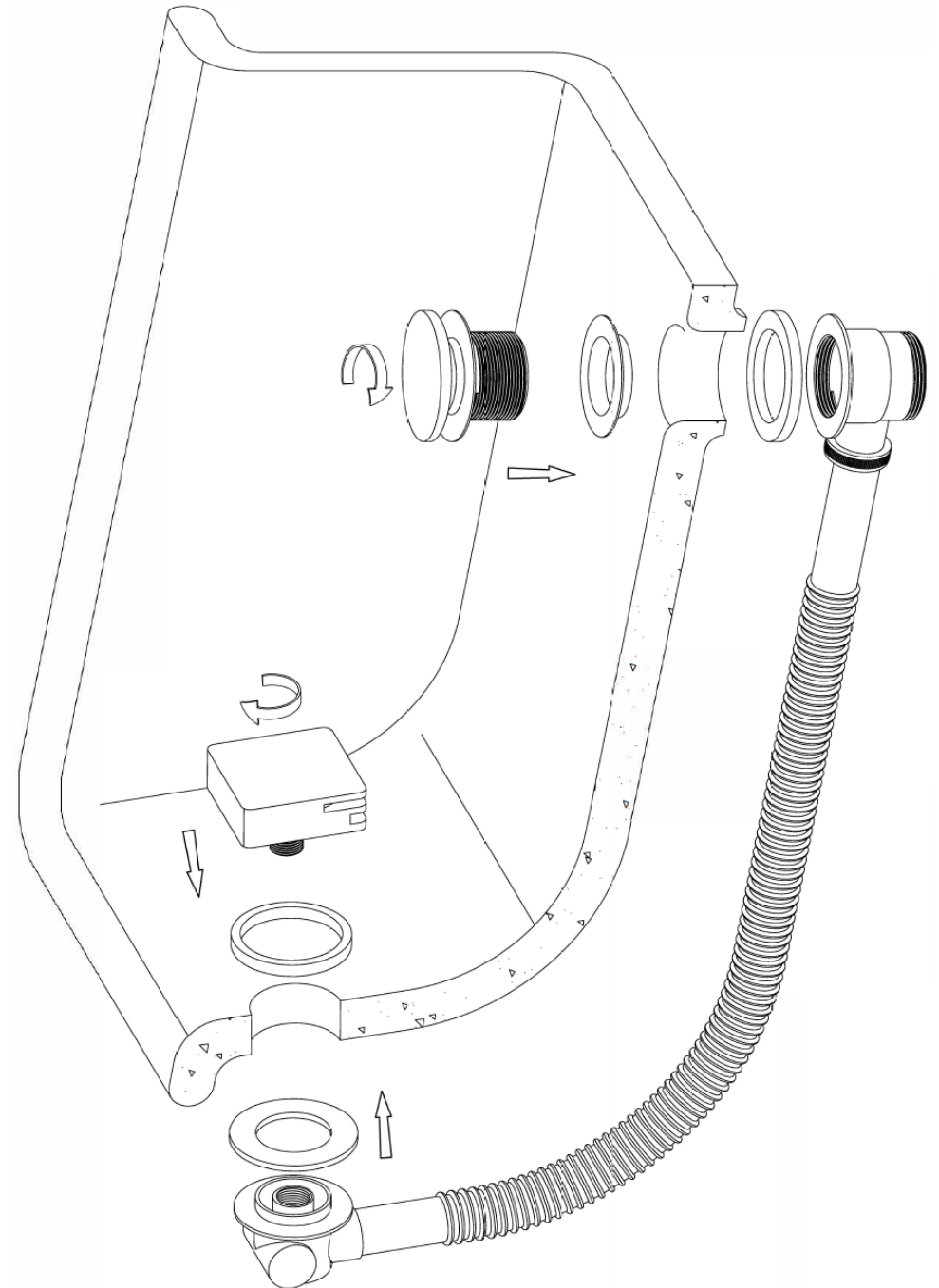
1. Floor drain should be installed in the location of the tap.
2. Flush pipes to get rid of any debris blocked in pipes before installation.
3. After installation, turn all the joints to make sure they are firmly connected. Then turn water on and off repeatedly to ensure there are no leaks around the joints then the product can be used normally at this stage.

Operation Notice

1. The product is used between water pressure 0.5 to 4 bar, water temperature 0-90c.
2. The waste and the tap is suitable for being installed in the bathtub which thickness is 5~15 mm
3. Regularly clean the tap with soft damp cloth.
4. Read all the instructions completely before proceeding.

Installation

1. Prior to installation please ensure all the supply pipes have been flushed through to remove any debris and then ensure the water supply is turned off
2. We strongly recommend the fitting of service isolation valves to the inlet feeds for ease of future maintenance.
3. Ensure you have all the relevant tools before commencing the installation and take note of any specific markings on the product to make sure they are installed correctly.
4. Carefully assemble the new fitting onto the bath. Do NOT over-tighten as this may cause damage to the fitting and/or bath.
5. Connect the water supplies to the inlet connectors. Please ensure you take note of any specific markings on the product to make sure they are installed correctly.
6. Ensure the controls operating this fitting are in the open position and turn on the water supply. Allow the Free Flow to run for a few minutes to flush out any debris.
7. Check all water feed connections to ensure there are no leaks.
8. Check the assembled fit of the product to the bath to ensure there is no water ingress that may cause water damage after installation.



**WARNING!**

**We recommend that this product is installed by a qualified tradesperson and we accept no liability for products fitted incorrectly, and where the correct testing procedures have not been used, resulting in the escape of water.**