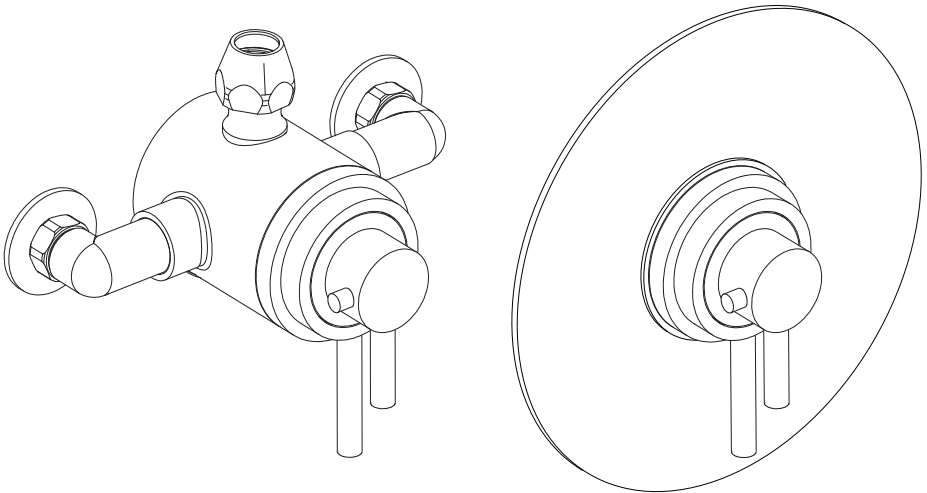


AREZZO

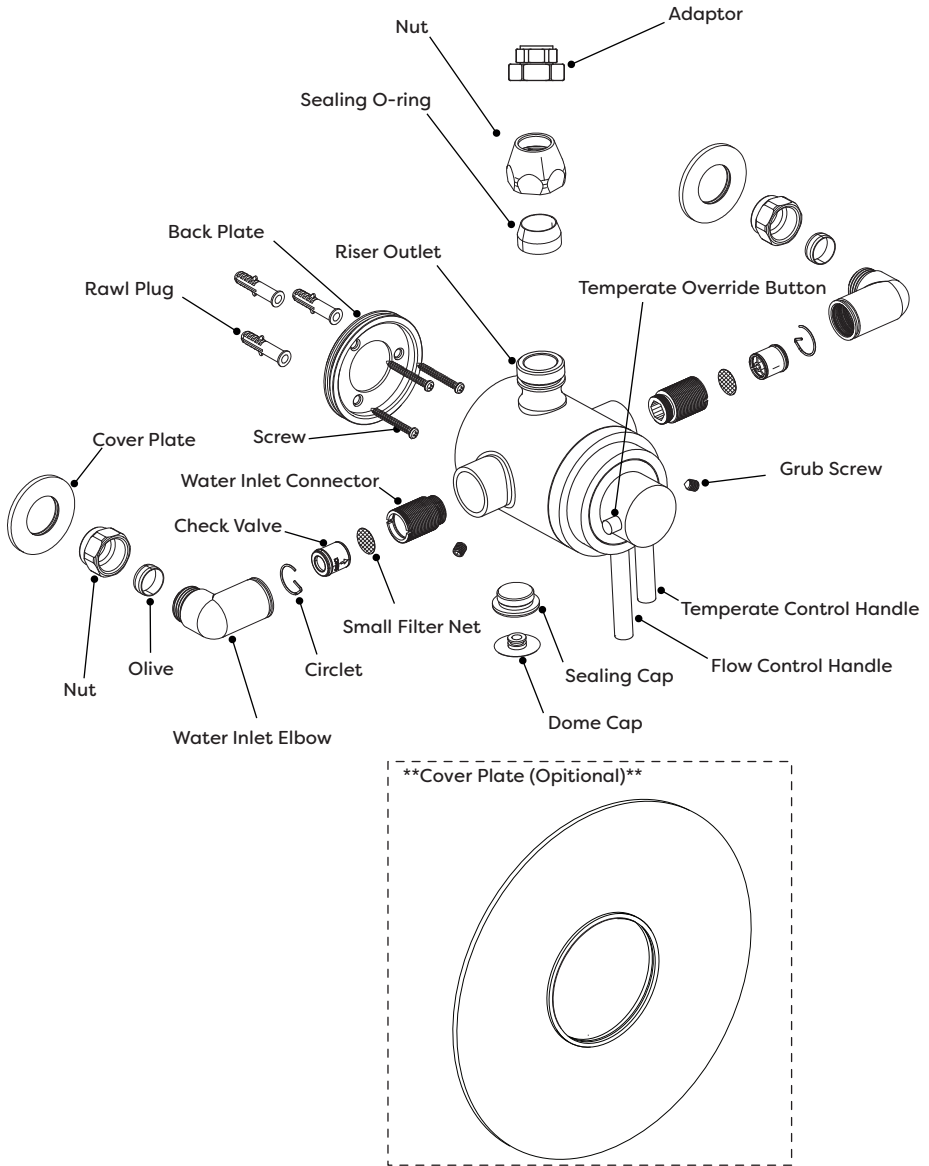
Dual Control Thermostatic Shower Valve



Fitting Instructions

Please follow them carefully and
leave this manual with end user

Exploded Diagram



Diagrams are for illustration purposes only. Your thermostatic shower valve may superficially differ from this drawing however the installation guide steps still apply.

Installation Guide

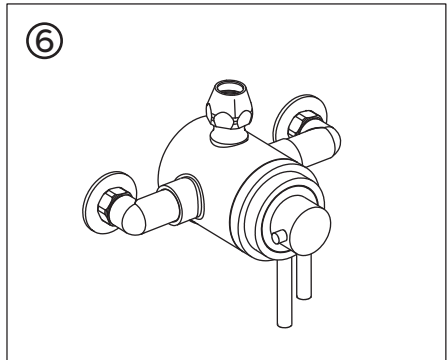
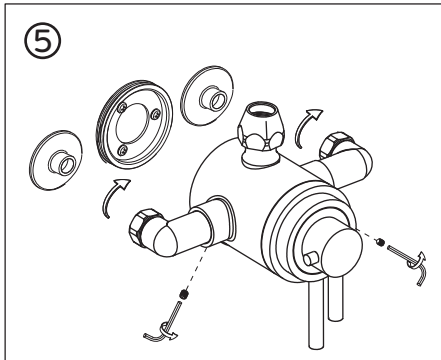
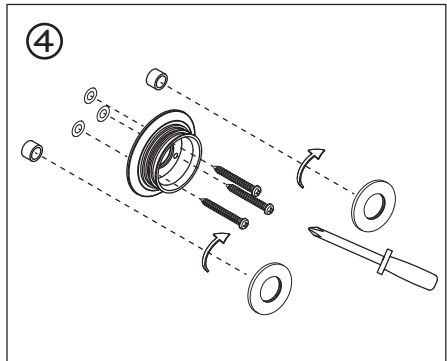
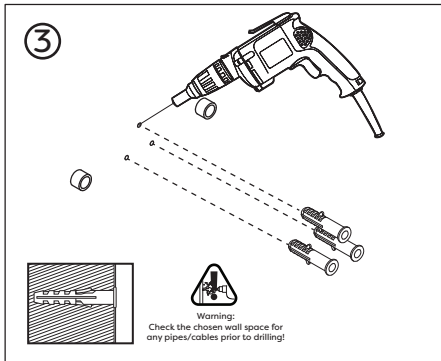
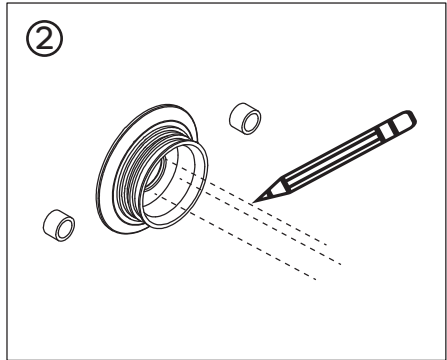
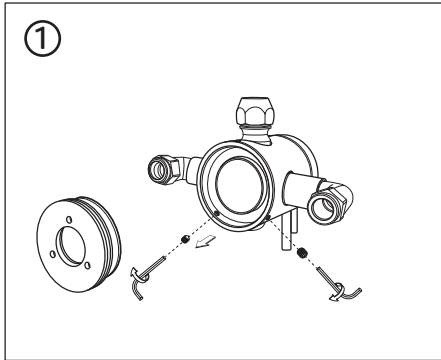
Before you begin:

1. **We recommend that this product is installed by a qualified tradesperson**, Victorian Plumbing Ltd. accept no liability for products incorrectly installed, or where the correct testing procedures have not been adhered to, thus resulting in the escape of water and consequential damage.
2. Ensure the incoming mains water supply is switched off prior to commencing the installation.
3. **Check the chosen wall space for any pipes/cables prior to drilling**
4. Observe all local plumbing and building codes & regulations.
5. Unpack the product then read these instructions before proceeding. Inspect the product for damage. If any damage is found, contact our Customer Relations team.

Installation:

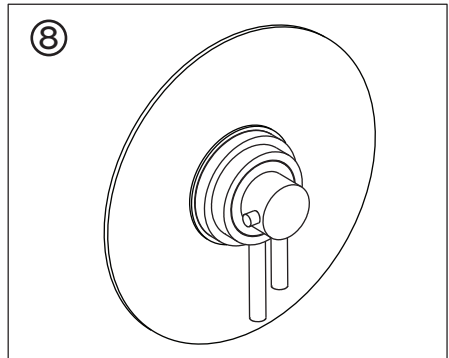
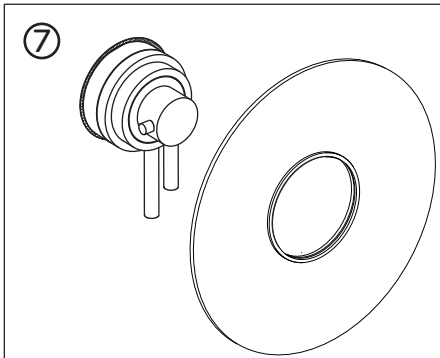
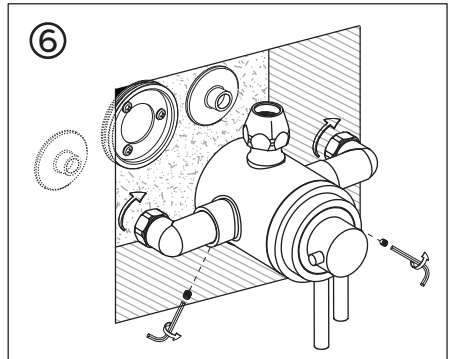
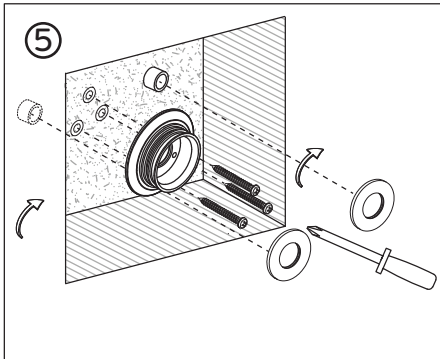
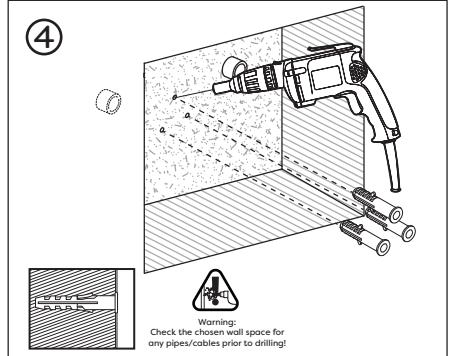
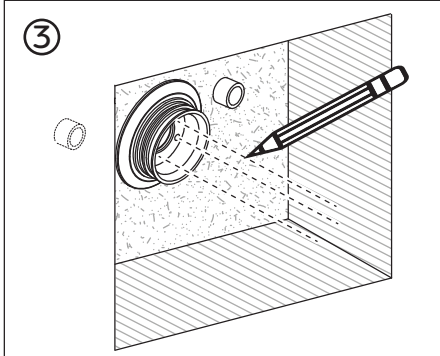
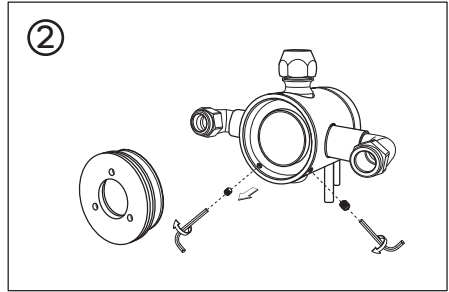
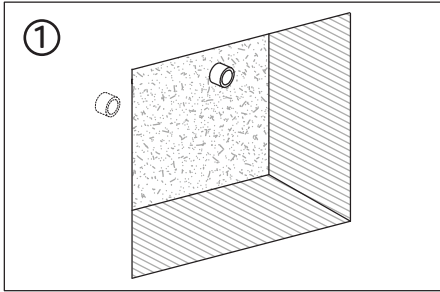
1. **Attention:** If you choose the concealed model. The valve will come with a cover plate. You should make a recess in the wall to house the valve. The depth of the recess should be 70mm to 80mm below the finished wall surface to fit the cover plate correctly.
2. Determine the fixing position for the valve. Remove the back plate from the valve body by unscrewing the grub screw from the shower valve using the Allen key provided. Place the back plate onto the wall and mark the position of the three holes.
3. Prepare the supply pipes (hot on the left and cold on the right) at the required height with a width of 150mm centres, making sure the hot and cold supply pipes protrude out sufficiently to enable a secure connection.
4. Hot water inlet to be connected with hot supply on the left of the valve, cold water inlet to be connected with cold supply on the right of the valve, which are clearly marked. Make sure that they are correctly connected, otherwise the thermostatic cartridge will lose its function of controlling temperature and may cause scalding.
5. Prior to installation and connecting, make sure the pipes are thoroughly flushed to remove any debris etc. **Attention:** Failure to do this will impair the flow of water.
6. Drill suitable length holes at the marked positions. Use supplied plugs and screws to secure the back plate.
7. Slide the cover plates onto the nuts and position each pipe with the cover plate against the wall. Remove the nuts and olives and place the valve over pipes.
8. Push the valve over each pipe and into the back plate, tighten the two nuts onto hot and cold inlet, and tighten the set screw with supplied Allen key to lock the valve.
9. Connect your chosen riser into the top riser outlet, tighten the nut.
10. Then turn on the water supply. Check all joints and connections for any leaks.
11. For the concealed model, finish the wall surface then, slide the cover plate over the valve body and fit this up against the wall surface.

Diagram (Without Faceplate):

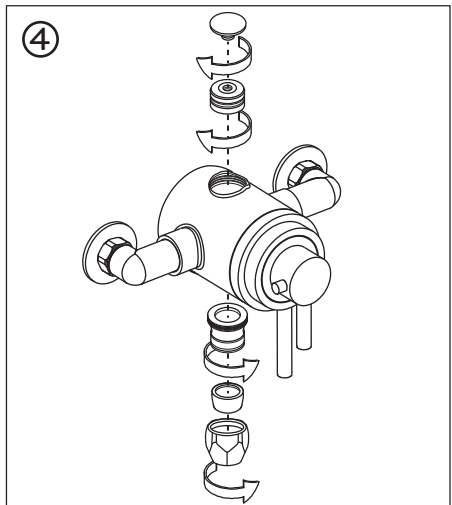
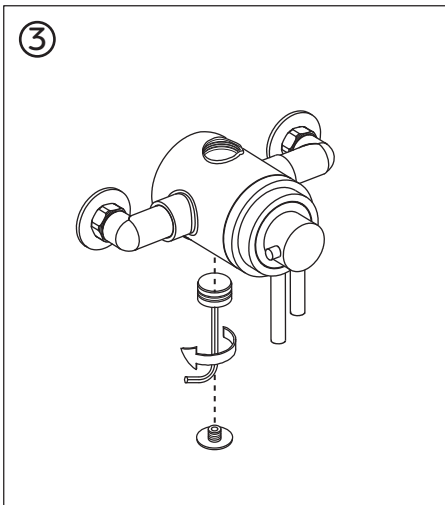
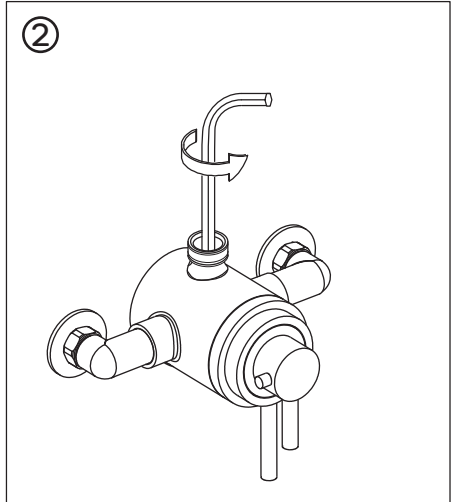
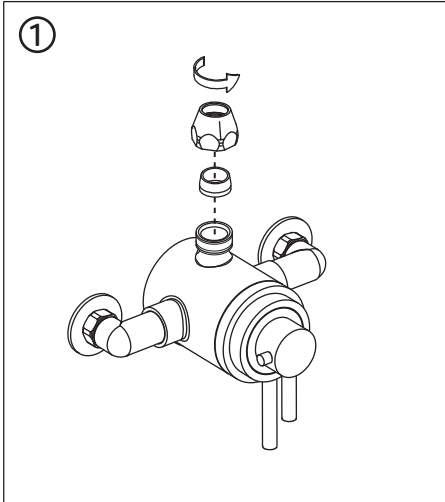


- Diagrams are for illustration purposes only. Your thermostatic shower valve may superficially differ from this drawing however the installation guide steps still apply.
- Water Inlet elbows can be adjusted to have the inlet upward or downward. **Note:** Do not install the valve upside down as this will cause the product to fail.
- An outlet adaptor may be required for the chosen riser kit. Ensure the riser kit you use in conjunction with this shower valve is the correct size.

Diagram (With Faceplate):



Change Top Outlet To Down Outlet:



- **Note:** The valve is supplied as the one with top outlet for rigid riser kits. If you need to connect the shower hose, you need to change top outlet to down outlet.
- Remove the nut and sealing O-ring, you can see the riser outlet with a hexagon shape on the top of the valve. Using an appropriate sized Allen key, turn the riser outlet out.
- Remove the dome cap on the bottom of the valve, you can see the sealing cap with a hexagon shape. Use an appropriate sized Allen key to turn the sealing cap out.
- Install the sealing cap back onto the top of the valve, then cover with the dome cap.
- Screw the riser outlet to the bottom of the valve. Insert the olive and nut to the bottom of the Valve.

Troubleshooting:

FAULT	POSSIBLE CAUSE
Shower only runs hot or cold after installation	<ol style="list-style-type: none"><li data-bbox="568 188 1011 236">1. Hot and cold supplies have been plumbed the wrong direction.<li data-bbox="568 244 1011 268">2. Faulty thermostat.<li data-bbox="568 276 1011 300">3. Insufficient water pressure.
Shower does not run hot enough	<ol style="list-style-type: none"><li data-bbox="568 316 1011 339">1. Check the hot water supply temperature.<li data-bbox="568 347 1011 395">2. Maximum temperature needs adjusting, see temperature adjustment.<li data-bbox="568 403 1011 427">3. Blockage in the hot supply.
Hot water in cold supply or vice versa	<ol style="list-style-type: none"><li data-bbox="568 443 1011 467">1. Check and clean non-return valves.<li data-bbox="568 475 1011 523">2. Check Hot and Cold supplies have not been reversed during installation.
Low or no flow	<ol style="list-style-type: none"><li data-bbox="568 539 1011 563">1. Possible blockage/debris in the system.<li data-bbox="568 571 1011 595">2. Operating conditions are incorrect.<li data-bbox="568 603 1011 667">3. Valve shut off has been activated due to a pressure drop in either the cold or hot supplies.
Leaking when in the off position	<ol style="list-style-type: none"><li data-bbox="568 683 1011 707">1. Debris in the flow control cartridge.<li data-bbox="568 715 1011 738">2. Faulty control cartridge.
Fluctuating flow	<ol style="list-style-type: none"><li data-bbox="568 754 1011 778">1. Dynamic inlet pressure are not balanced.

Notes:

www.victorianplumbing.co.uk