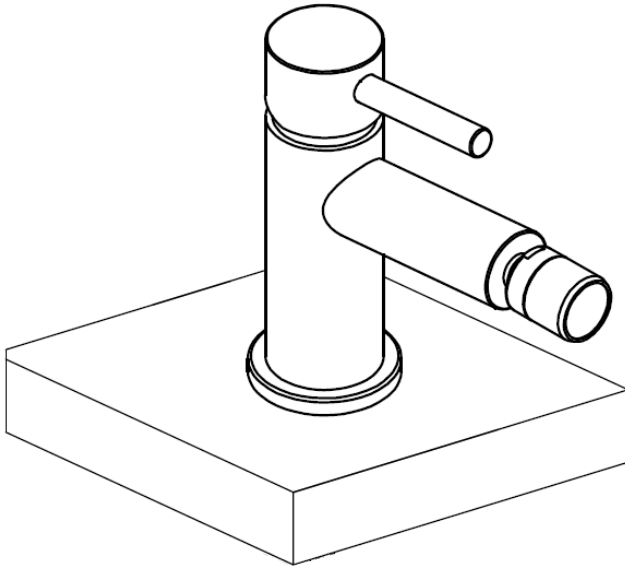


Arezzo Round Bidet Tap



INSTALLATION INSTRUCTIONS

Please follow these care instructions to ensure your product retains it's high quality finish and please retain this leaflet for future reference.

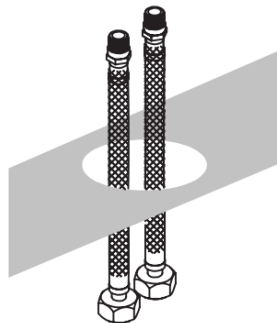
Step 1

Screw the threaded spigot bars into their locator holes on the underneath of the tap body.

Please note: Some taps may only have 1 spigot bar for installation



Step 2

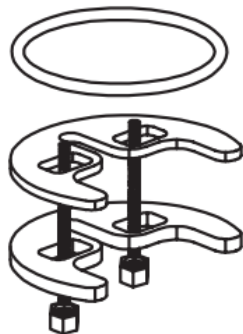


Feeding them through from underneath the sink hole, fit the water inlet flexi tail(s)/connector(s) by hand to the tap body.

Note: Do not over tighten.

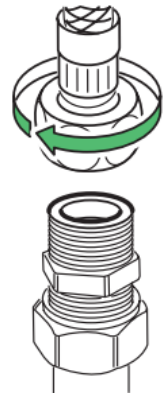
Step 3

Carefully assemble new fitting onto sanitary ware fixing the rubber and metal horseshoe washers to the underneath of the basin. Do not overtighten as this may cause damage to the fitting and the sanitary ware. Remember to install the O ring, collar and washer (where applicable) between the tap body & sanitary ware.

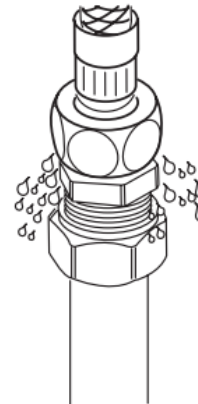


Step 4

Connect flexi tail(s)/inlet connector(s) to the mains water feed. The hot supply should be connected to the left-hand side when viewing the installation from the front.



Step 5



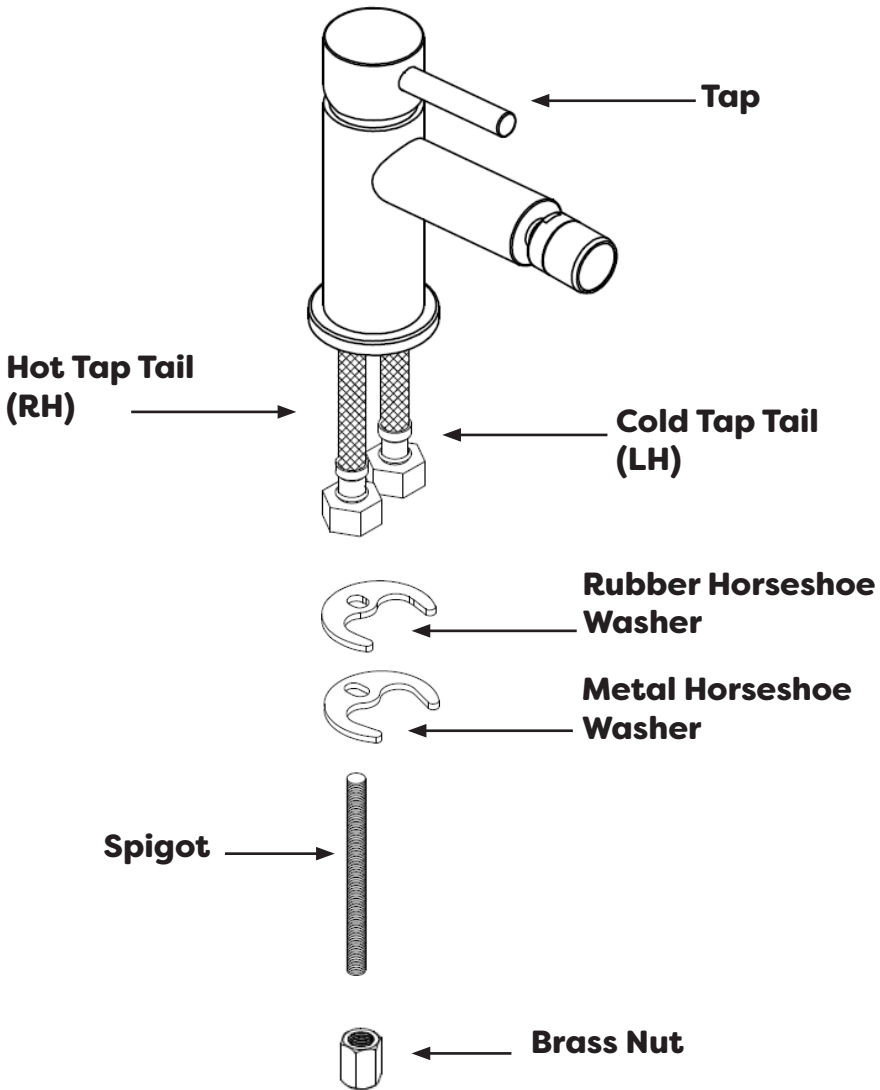
Place the tap handle in the 'Open' position and turn on the water supply. Allow the tap to run for 90 seconds to clear any debris from inside. Use this time to identify any wet areas or potential leaks.

Step 6

Turn tap handle to 'Closed' position and check for any wet areas or potential leaks.

WARNING!

We recommend that this product is installed by a qualified tradesperson and we accept no liability for products fitted incorrectly, and where the correct testing procedures have not been used, resulting in the escape of water.



Diagrams are for illustration purposes only. Your tap may superficially differ from this drawing, however the installation guide steps still apply.