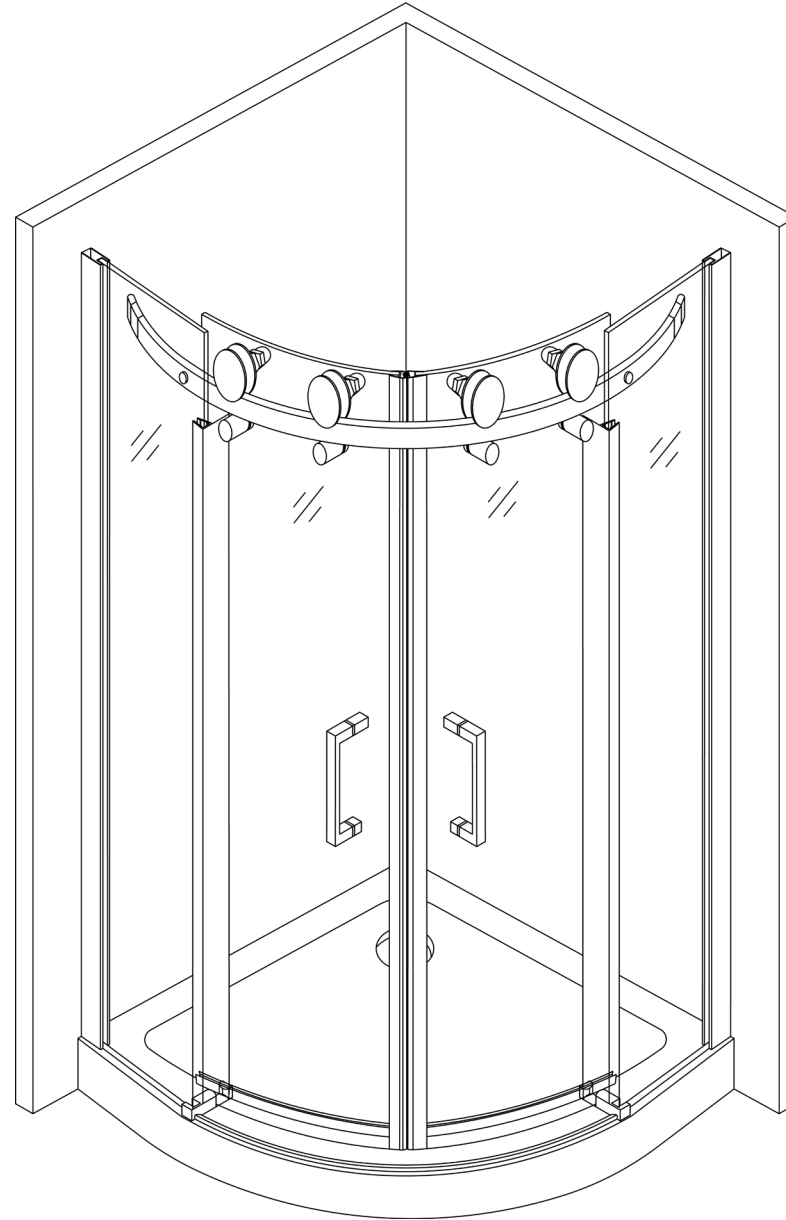


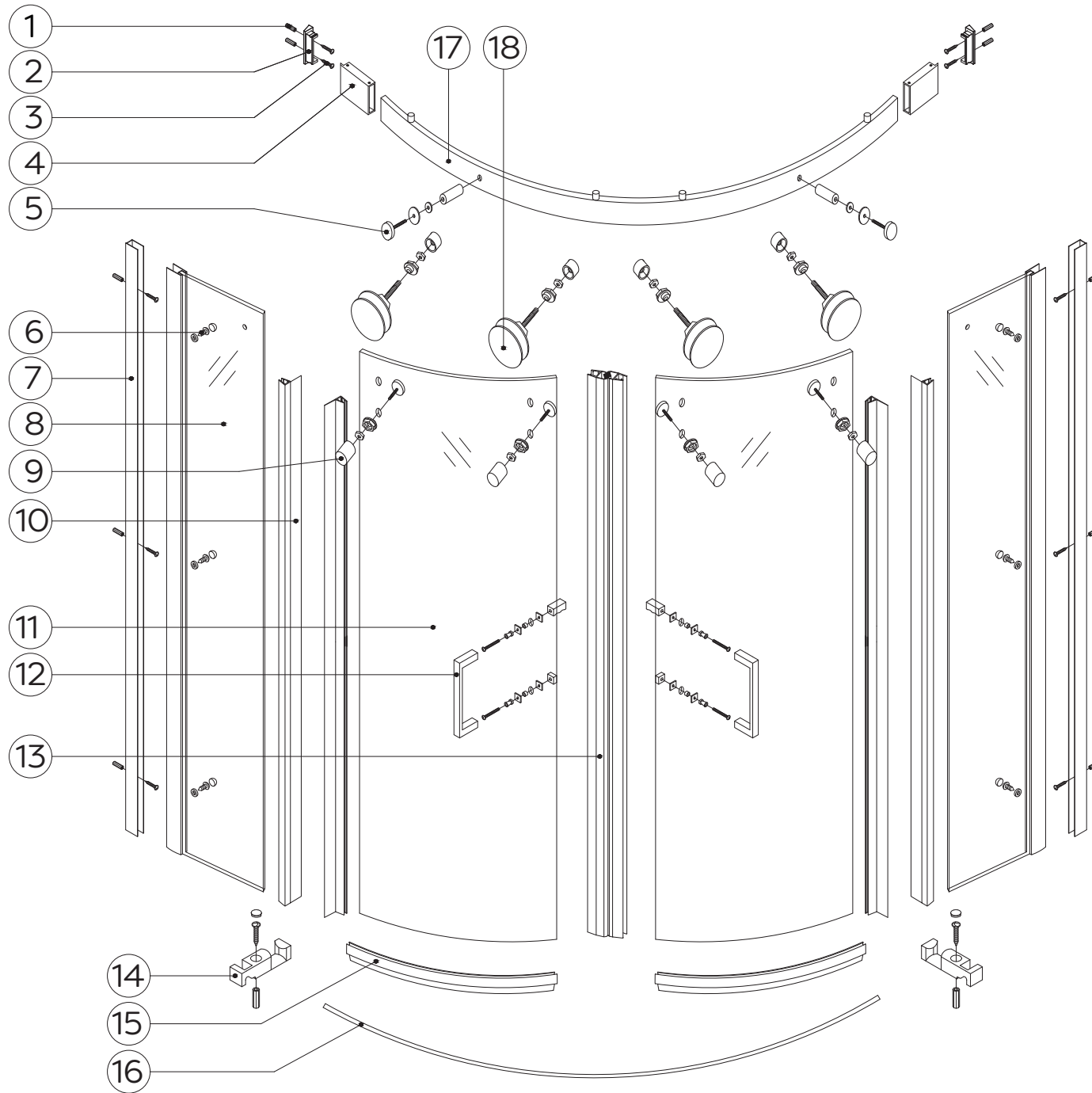
AREZZO

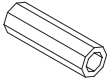
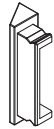
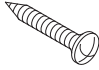
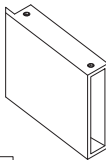
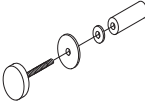
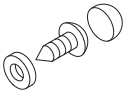

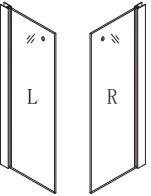
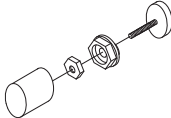
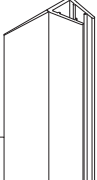
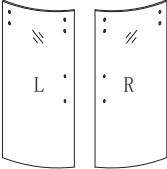
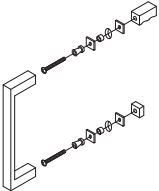
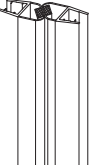
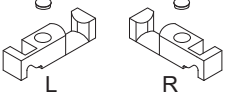
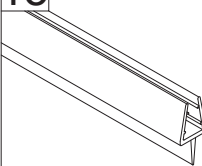
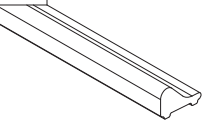
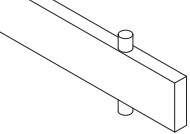
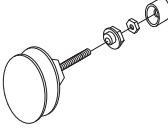
Frameless Quad Cubicle



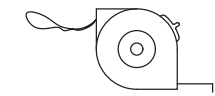
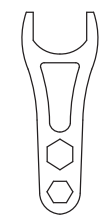
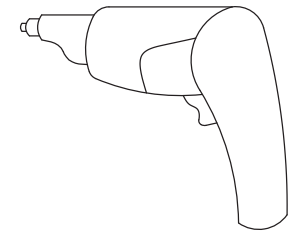
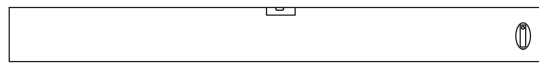
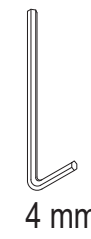
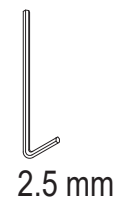
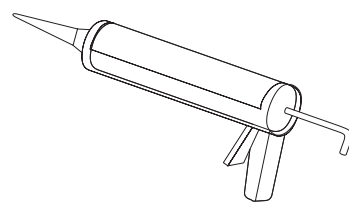
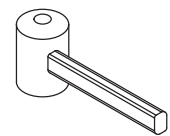
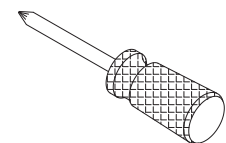
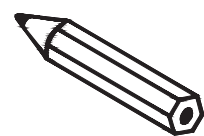
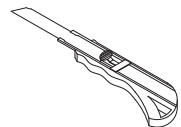
Fitting Instructions

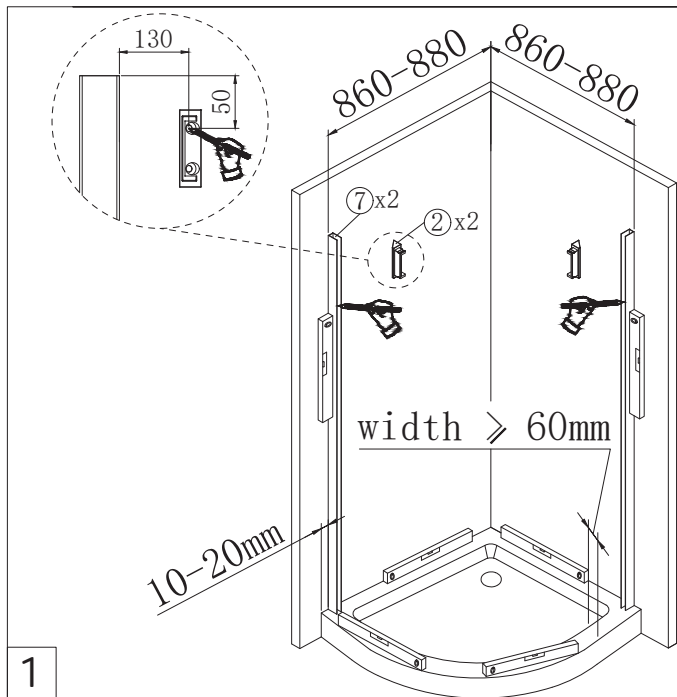
Please follow them carefully and
leave this manual with end user



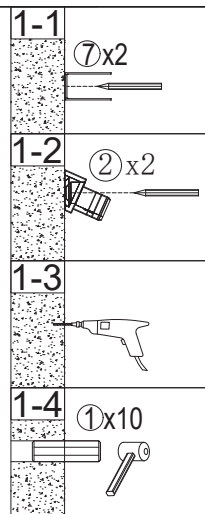
1  D6x30 12Pcs	2  B1-D08 2Pcs	3  ST4X30 12Pcs	4  B1-D02 2Pcs	5  B1-D03 2Pcs	6  ST4X12 6Pcs
7  B1-B01 2Pcs	8  L R 2Pcs	9  B1-D04 4Pcs	10  B1-H01 4Pcs	11  L R 2Pcs	12  B1-D05 2Pcs
13  B1-H02 2Pcs	14  L R 2Pcs	15  B1-H04 2Pcs	16  B1-B03 1Pc	17  B1-F02 1Pc	18  B1-D07 4Pcs

Tools:

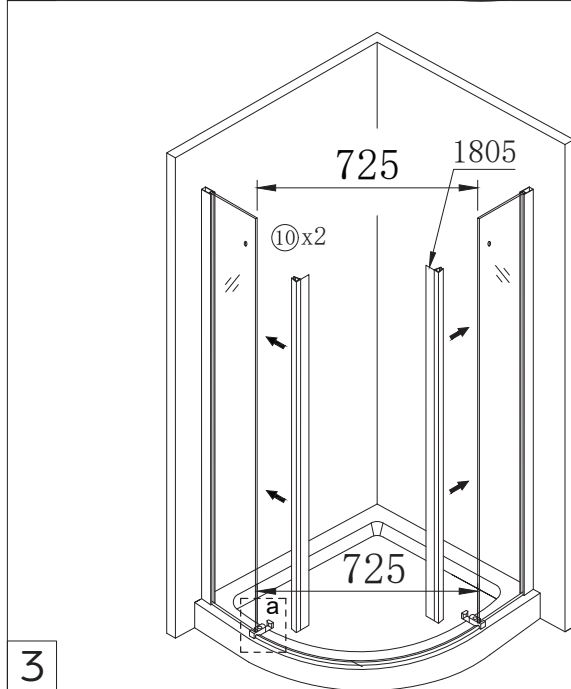
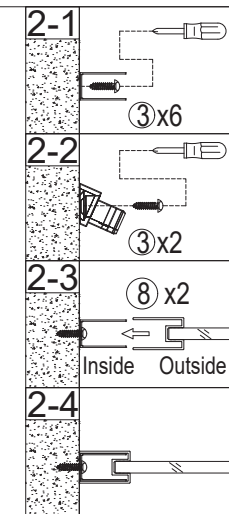
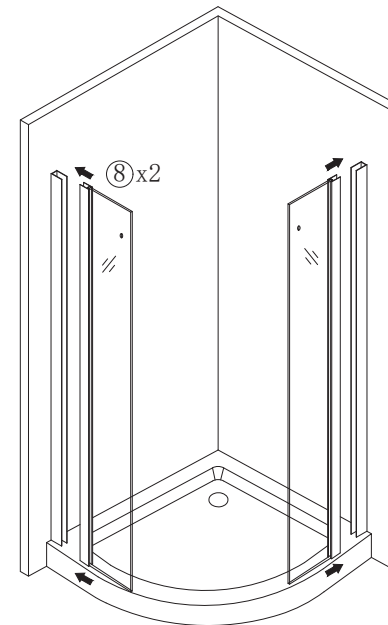




1



2

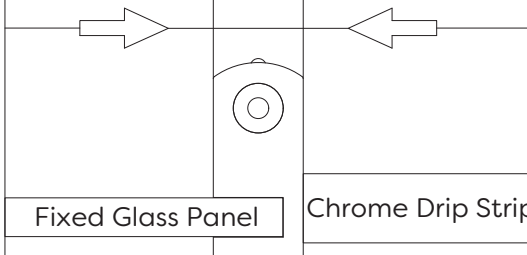


3

a1

align the side of the door guide with the inside rim of the shower tray ledge

inside of tray

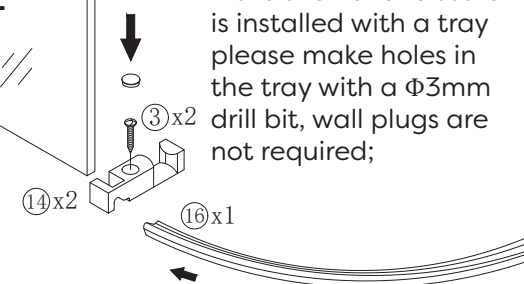


outside of tray

shower tray ledge

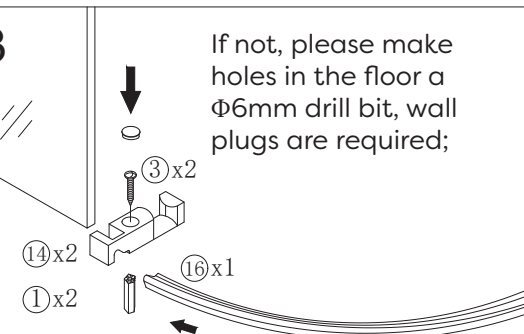
a2

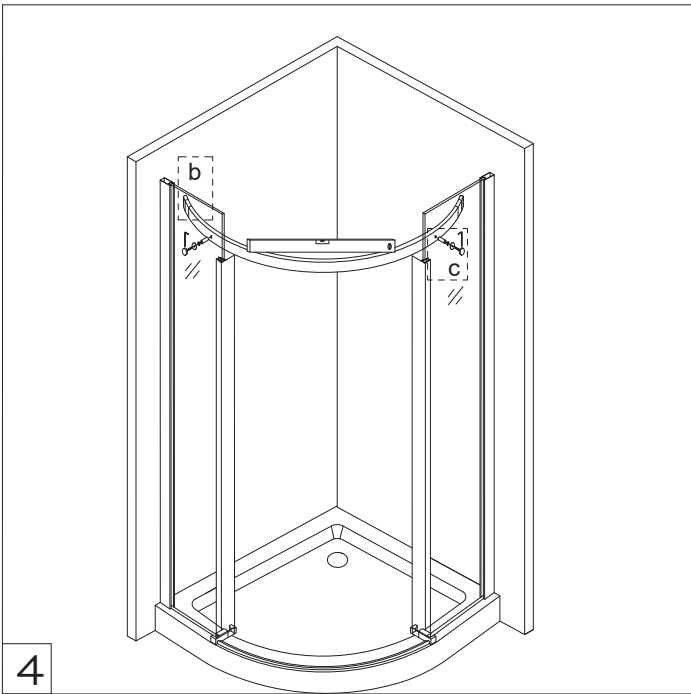
If the shower enclosure is installed with a tray please make holes in the tray with a $\Phi 3\text{mm}$ drill bit, wall plugs are not required;



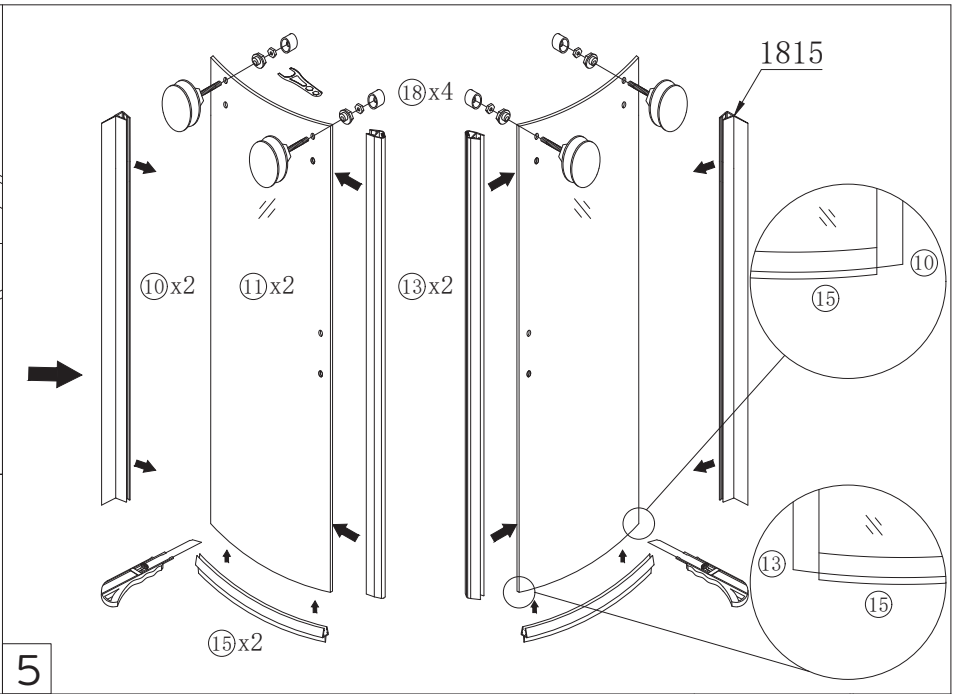
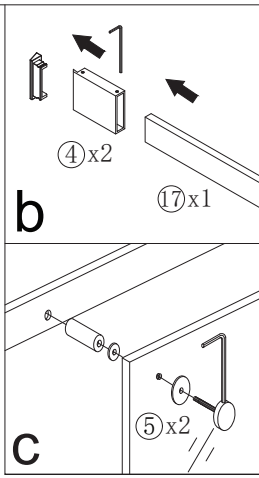
a3

If not, please make holes in the floor a $\Phi 6\text{mm}$ drill bit, wall plugs are required;

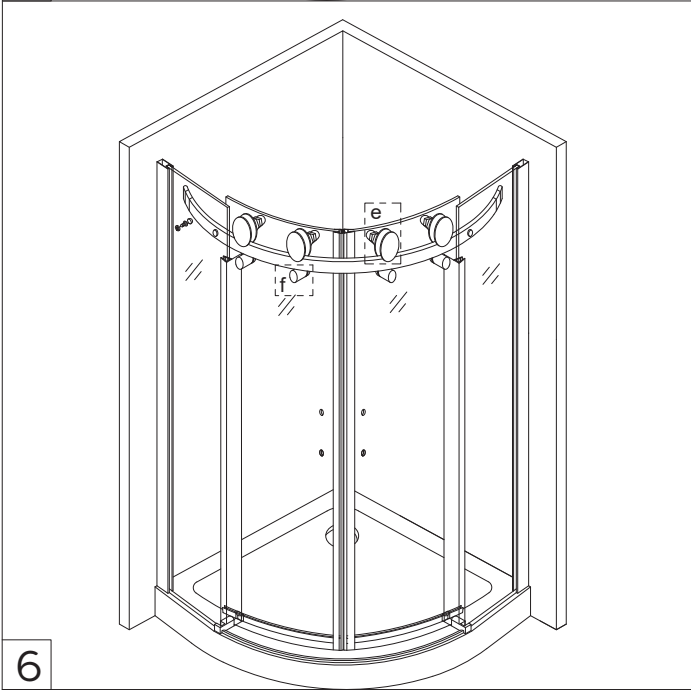




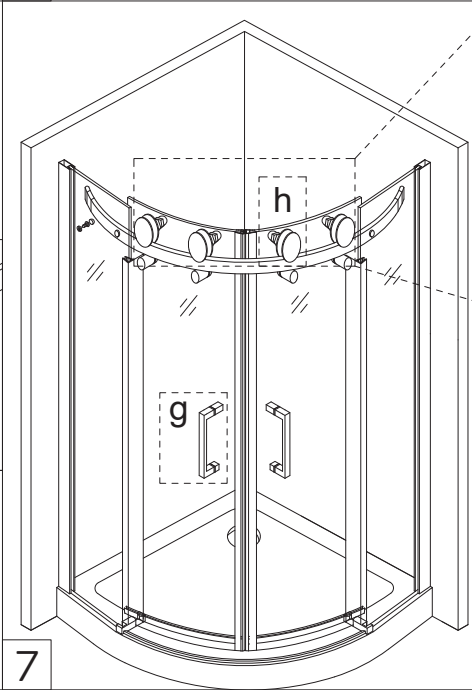
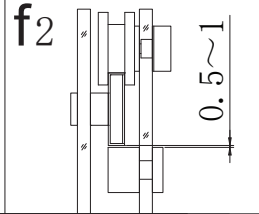
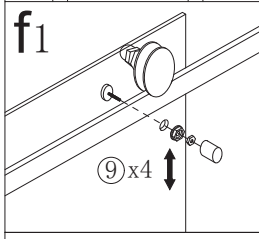
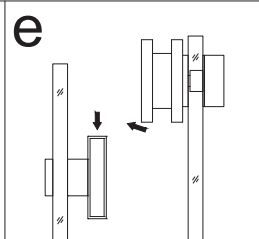
4



5

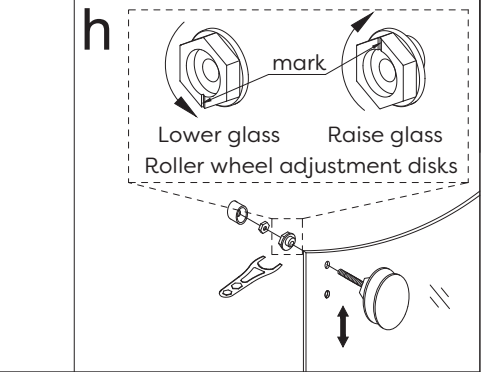
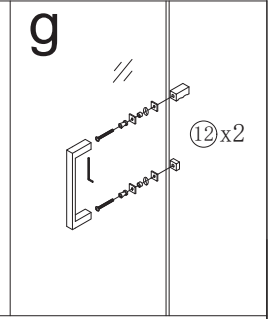


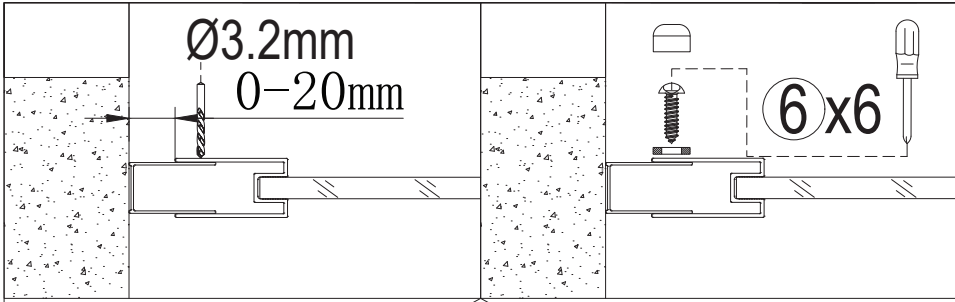
6



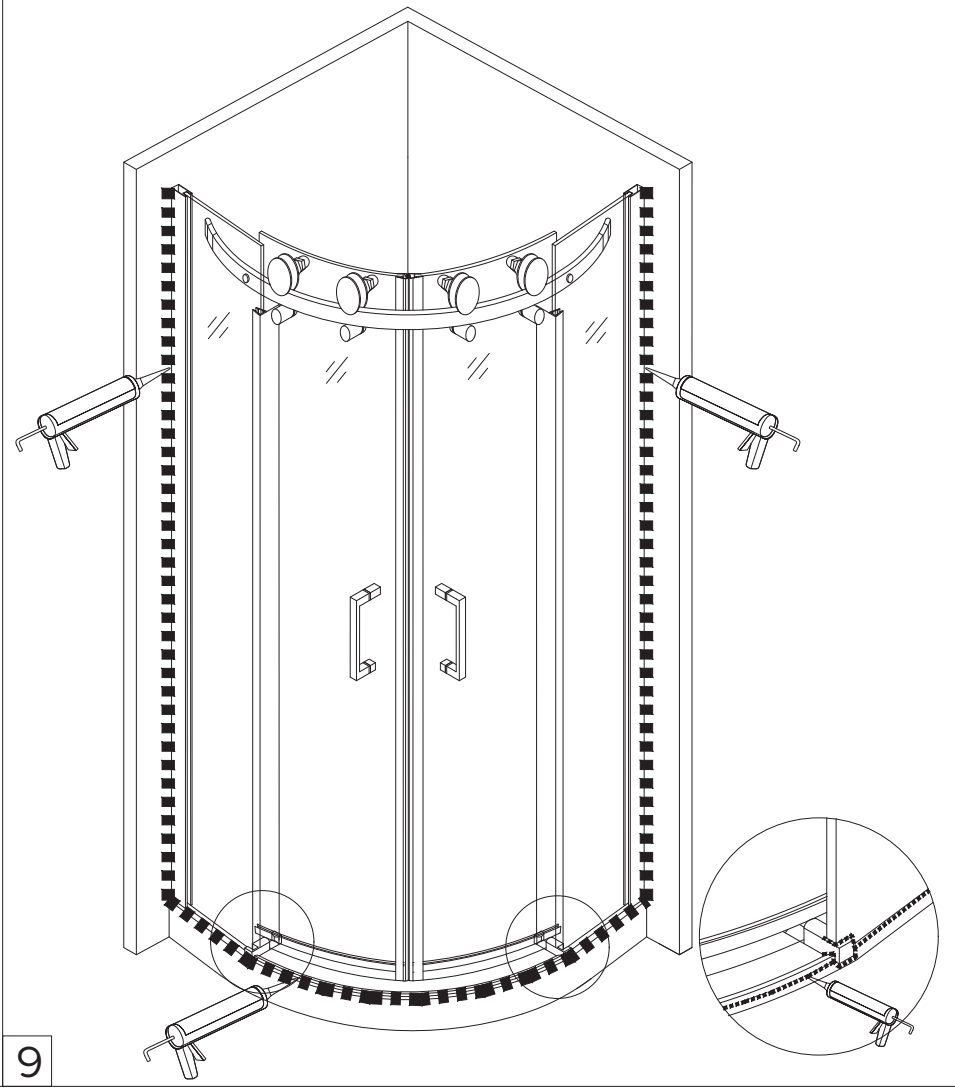
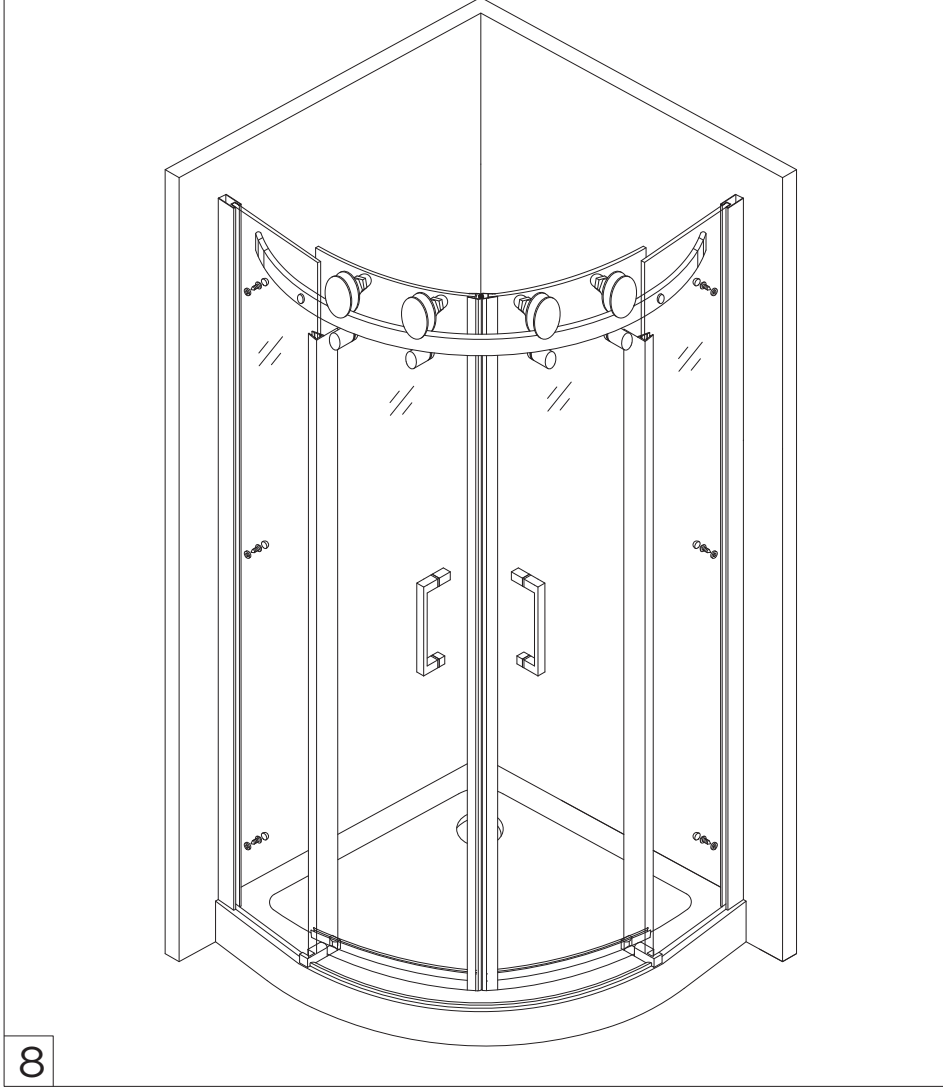
7

Rotate the adjustment disk of the 4 rollers to raise or to lower the door slightly with help from an Allen key.





Attention:
Do not use your shower enclosure within 24 hours of assembly. Do not use caustic cleaning products or abrasive material when cleaning your shower enclosure.



Safety Information for User & Installer

Important information for fitter:

- It is recommended that only a approved/qualified tradesperson should install the product.
- Incorrect installation of the enclosure will invalidate guarantee.

Important information for fitter:

- Carefully check the product for transport damage prior to installation.
- Never install damaged panels as there is a risk of spontaneous glass breakage. The supplied fixings/wall plugs are only for mounting directly on solid walls.
- It is essential that the solid, masonry/walls be inspected for adequate load-bearing capacity prior to every installation. The supplied fixings/wall plugs are not for use with stud walls such as plaster board, wood, metal or fiber board.
- Always seek professional advice to confirm wall type and appropriate type of fixing to be used for installation. Always check walls for concealed utility lines (power, gas, and water) prior to drilling the fixing holes.

Special information on handling glass:

- Always protect all glass edges from damage.
- Never stand the glass on its corners throughout the installation! Place the packing material beneath the glass panel; never place the glass on tiles, concrete floors or similarly hard surfaces.
- It is mandatory to check each glass panel for damage prior to installation. Never install damaged glass panels as this could cause spontaneous glass breakage!
- If the glass panel is damaged during use it must be replaced without delay. (Failure could cause a risk of spontaneous glass breakage!)

Prevent damage to glass or operation of the product:

- Ensure fittings do not hinder the movement of the door.
- Ensure that no objects are within the range of the door opening/ closing area.
- Avoid hitting the panels with hard objects such as mops when cleaning or tools during assembly. Damaged panels must be replaced as failures may cause latent glass breakage.
- Do not hit against the glass edge with hard or pointed objects (e.g. with mop handle) Damaged panels must be replaced; damage may cause spontaneous glass breakage.
- Do not use panels or handles to hang or support items such as drying towels or clothes.

Maintenance Information

Service/repair and inspection for safety

- After cleaning, check all the moving elements are sufficiently greased, re-grease if necessary, only use acid-free grease.

Cleaning

Do not use steam cleaners, caustic or aggressive cleaning and scouring agents, cleaners that corrode plastics, or solvents containing acetone, turpentine or neat bleach.

- Do not use any cleaning agents, which according to the manufacturer's specifications may corrode aluminium or light alloys.
- Do not use glass cleaning pastes and micro-fibre cloths to prevent damage to glass coating system.
- In order to prevent the build-up of lime scale, remove any remaining drops of water after showering using a squeegee, soft cloth without any cleaning agent.
- After use, carefully rinse off all residue such as; liquid soaps, shampoos, shower gels or similar cosmetic product with water to avoid deposits.

Important: Never apply the cleaning agent for longer than necessary. After cleaning, check all the moving elements are sufficiently greased, re-grease if necessary.

Recycling and Disposal

Please recycle the packaging in accordance with your local government regulations on waste handling, and follow the same advice at the end of the products life.

For more Information

Visit: victorianplumbing.co.uk

www.victorianplumbing.co.uk