

INSTALLATION INSTRUCTIONS FOR IP44 ILLUMINATED CEILING MIRRORS

Before installing this product pay special attention to these instructions. It is recommended that this product is installed by a qualified electrician to IEE wiring regulations (BS 7671) and current building regulations. These products can safely be fitted into Zone 2. See lighting regulations diagram.

Installation steps

1. Prior to commencing work isolate the power supply cable at the main fuse box.
2. Check that there are no other concealed cables or pipe work in the intended installation area (check the entire area).
3. Make sure that it is at the correct height and level. Using a suitable marker through the fixing holes mark the position of the holes on the wall.
4. Using the correct size drill bit for the wall fixing drill holes in the marked locations. (Please note that for certain wall types i.e. plasterboard walls, the wall fixings supplied are not recommended)
5. Place the rawl plugs into the holes. Feed the supply through the central rubber grommet, position the back plate and secure using the correct fixings (the rubber washers provided must be used to ensure no water can penetrate into the fitting).
6. Connect the supply cable to the connector block as shown in the wiring diagram. Ensure the conductors are fully inserted into the terminals and no loose wire strands are protruding. Fully tighten the screws on the terminals making sure that the screw clamps onto the conductor and not the insulation.
7. Fix the mirror to the wall.
8. Ensure that the correct type and wattage bulb are always used. (see Luminaire for details).
9. Finally power On the mirror by pressing touch switch or waving hands below/infront of motion sensor or pressing the rocker switch(**please refer to technical page for functions/features specific to your product**).

Cleaning Instructions

In order to maintain the quality finish of this product please do not use any abrasives or solvents when cleaning this product. Use only a damp cloth for cleaning this product.

Do not allow water to stand on any part of the mirror.

Please clean any spillage that may affect the quality of the finish as described above.

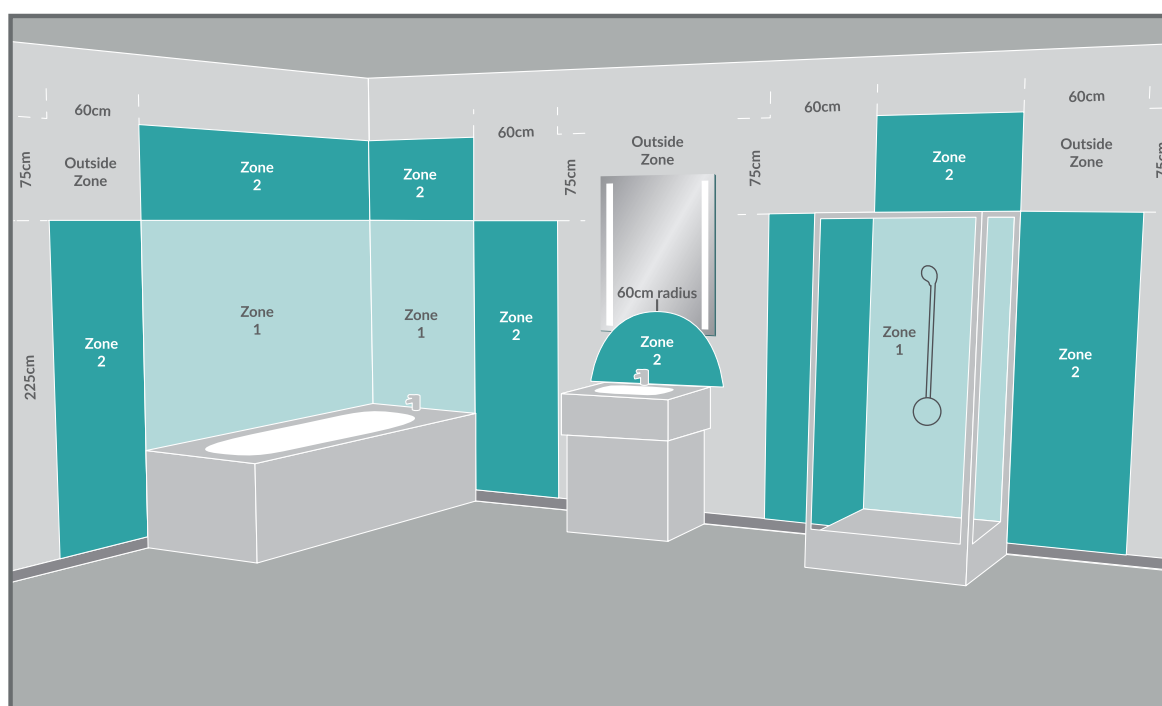
Special care

Care Should be exercised when cleaning this product. Although its finish is extremely durable, it can be damaged by harsh abrasives and cleaning pads. To clean, use a light, non-abrasive cleaning solution or cleaning polish.

Packing information & installation

Package content:

- LED Backlit Mirror
- Screws
- Manual
- Technical page



Attention: Installation and connection to electric wiring must be done by a professional electrician in compliance with local and national requirements for electrical installations.

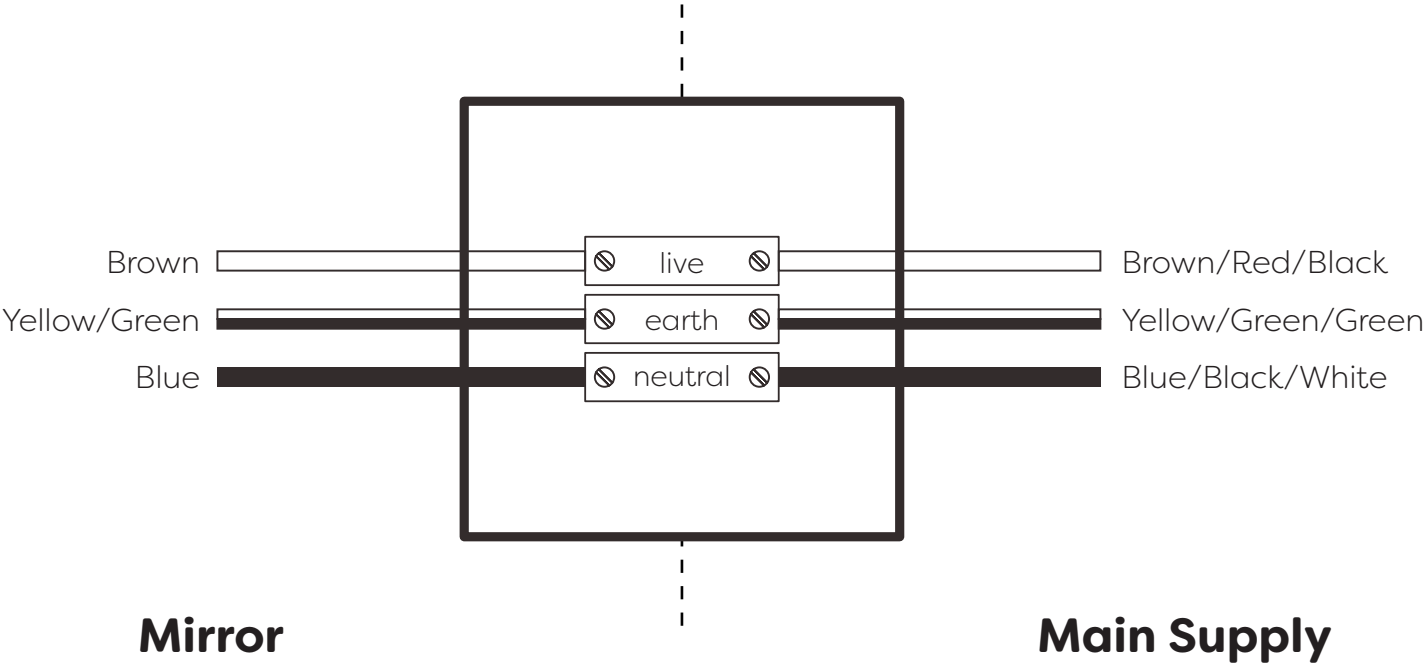
Never modify the construction or add any parts which are not offered as spare parts or accessories by the manufacturer of the luminaire. Any unauthorized modification might result in weak mounting and risk that parts of the luminaire can fall down from the wall.

Warning: Always switch off the Electrical supply at the mains during installation and maintenance.

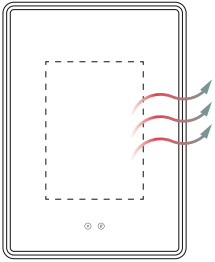
Warning: This product must be earthed.

Note: Install the mirror at least 15cm. away from the basin.

Electrical Wiring

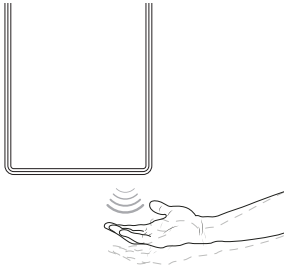


Functions



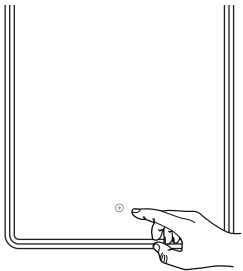
Heated Demister Pad

Demister pads heat the surface of the mirror above room temperature removing the mist on the surface. If your mirror comes with a demister then it will turn off/on using main power button/sensor. It takes 3-4 minutes for complete heat up and fog removal. For some special models there might be a special button to control demister.



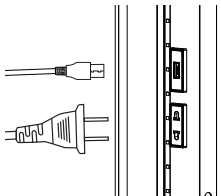
IR Sensor

The IR sensor switch can be used to perform multiple functions: Wave hands in front of sensor to change led color or turn lights on/off. When the lights are on, placing hands in front of sensor can change brightness of light. **(Note: Color change and dimming functions are applicable only if mentioned on your products technical page)**



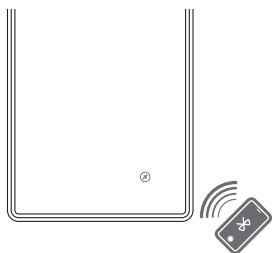
Touch Sensor

The touch sensor switch can be used to Turn Led Lights. You can tap the touch sensor for On/Off. If your mirror comes with color changing strips then you can long press the touch sensor to change colour from warm(3000k) to white(6000k). **(Note: For some models pressing the touch button also controls Demister. Also for some models the color changes by tapping instead of long press. Please refer to Technical page for product features)**



Shaver Socket/USB

You can plug your shaver/electric toothbrush to the socket on side of mirror.



Bluetooth

If your comes with an inbuilt Bluetooth. You can scan and connect to "My Mirror" after pressing the Bluetooth button on your mirror. Once connected you will hear a beep sound followed by which you can play sound. **(Note: If their is no separate Bluetooth button on mirror then Bluetooth turns on automatically when connected to power source).**

Time/Temperature Display



If your mirror comes with this small screen then you can view time and temperature. To adjust the time, long press the button adjacent to screen. When the display starts blinking you can adjust time by tapping the two buttons.

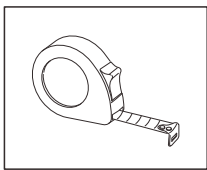
NOTE: This is a general instruction manual for all lighted mirrors. The functions mentioned here may/maynot apply to your product model. For applicable functions please refer to technical page provided together with this manual.

Hanging the mirror

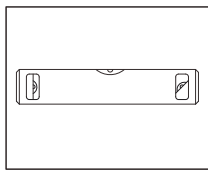
Installation Procedure

To ensure the normal use of this product, it is required you set out wires as per the regulations of IEE at the installation places. This product should be installed on a wall suitable to hold its weight. The installation must be carried out by a professional electrician and wrong installation may lead to product damage and personal injury.

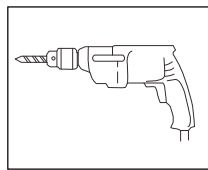
Installation Tools



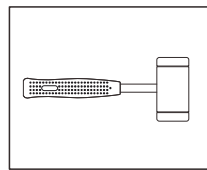
Measuring tape



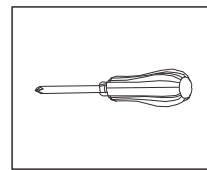
Spirit level



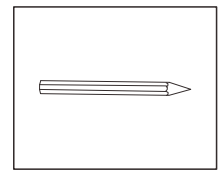
Drill



Hammer



Screwdriver



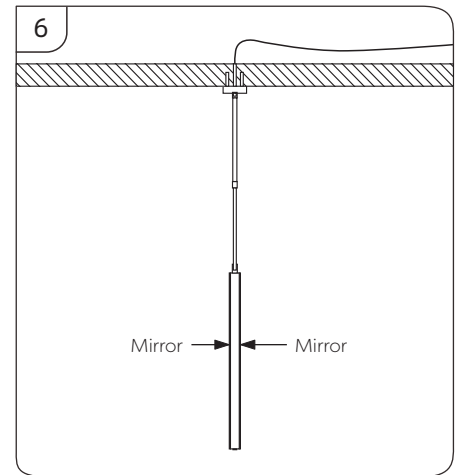
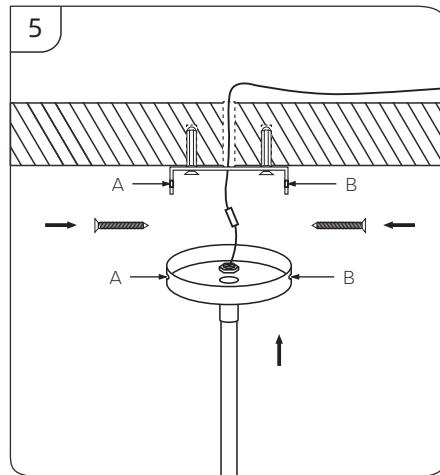
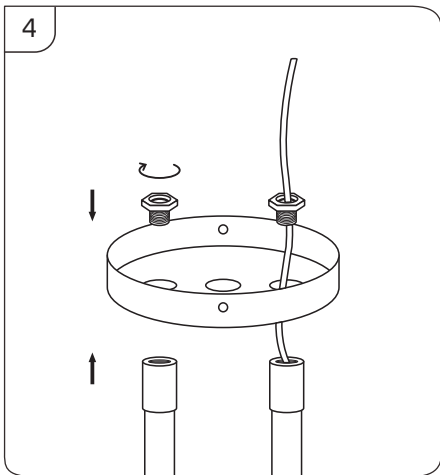
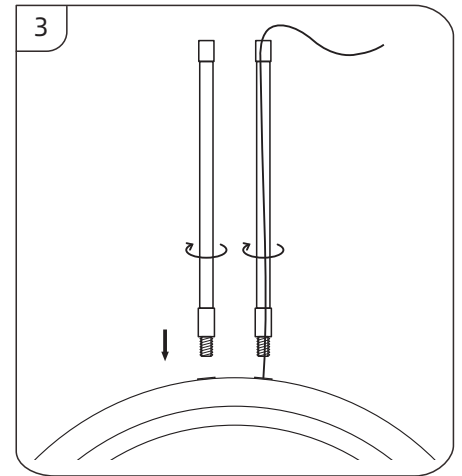
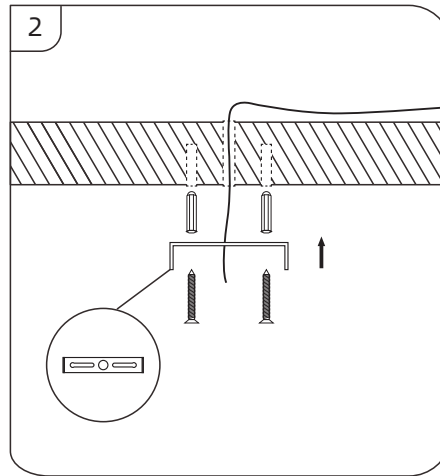
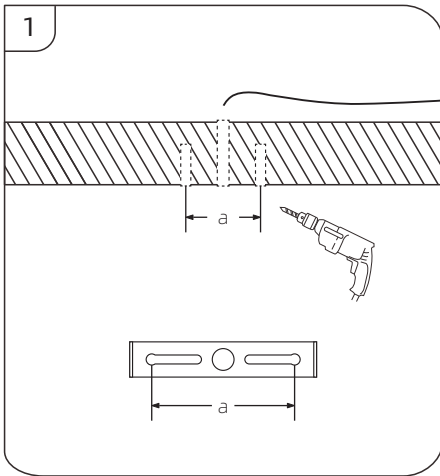
Pencil

Installation Steps

1. Measure the spacing (a) of the screw holes in the fixing parts and mark them on the ceiling with a pencil. select a suitable drill bit to drill in the marked location, or if the wall is made of tile, use a special ceramic drill bit. Then cut a hole in the ceiling to accommodate the power cord and draw it out.
2. Tap the expansion tube into the hole and fasten the fixing parts to the ceiling with screws.
3. Thread the wire in the mirror through the boom and screw the boom into the screw hole of the mirror.
4. Pass the wire from the top of the boom through the round base and hollow screws, and then use the hollow screws to connect the boom to the base.
5. Connect the wire and power cable according to the circuit diagram, and connect the screw hole corresponding to the circular base to the fixed parts with screws (A→A, B→B).
6. Finally power on, for hanging mirror can move hands on bottom to turn on.

Never modify the construction or add any parts which are not offered as spare parts or accessories by the manufacturer of the luminaire. Any unauthorized modification might result in weak mounting and risk that parts of the luminaire can fall down from the wall.

Hanging the mirror



Recycling and disposal

Please recycle the packaging in accordance with your local government regulations on waste handling, and follow the same advice at the end of the products life.

For more Information

Visit: victorianplumbing.co.uk