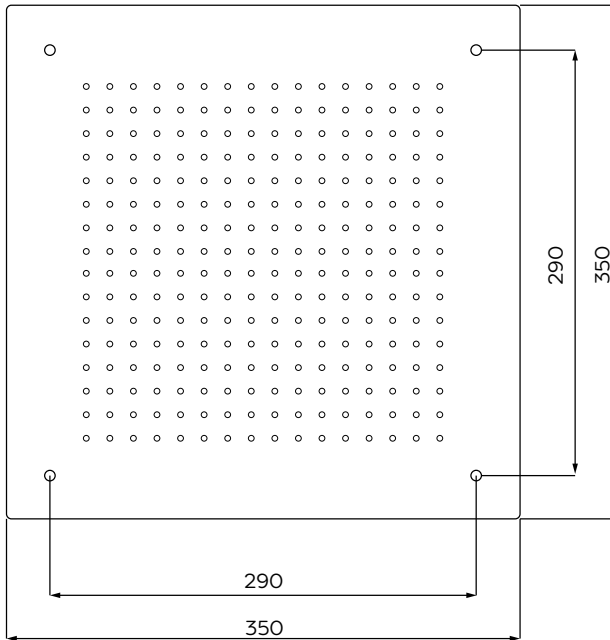


AREZZO

Recessed Ceiling Mounted Square Shower Head



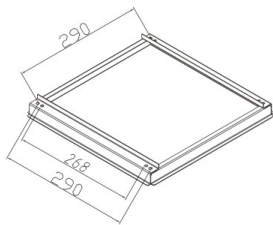
Fitting Instructions

Please follow them carefully and
leave this manual with end user

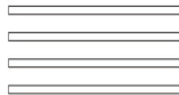
Before you begin:

1. **We recommend that this product is installed by a qualified tradesperson**, Victorian Plumbing Ltd. accept no liability for products incorrectly installed, or where the correct testing procedures have not been adhered to, thus resulting in the escape of water and consequential damage.
2. Ensure the incoming mains water supply is switched off prior to commencing the installation.
3. Observe all local plumbing and building codes & regulations.
4. Unpack the product then read these instructions before proceeding. Inspect the product for damage. If any damage is found, contact our Customer Relations team.

Items Included:



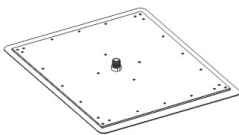
Bracket (x1)



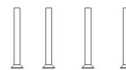
M6X500 Connect Pole (x4)



Rawl Plug (M6 female) (x4)



Shower Head (x1)



M4X40 Flat Screw (x4)



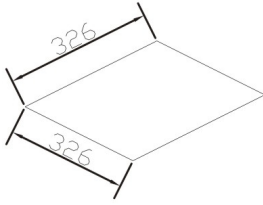
Inlet Hose (x1)



M6 Hexagon Nut (x12)

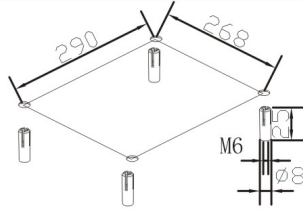
Aftercare:

Always clean the surface of shower head to keep it bright. **Attention:** please do not use inappropriate tools such as sharp brushes, rough sponges, scouring pads or corrosive detergent to clean the shower head. Please clean the shower by wet cloth and soapy water after each time of usage. Then rinse the soap out with clean water and dry with a soft cotton cloth.



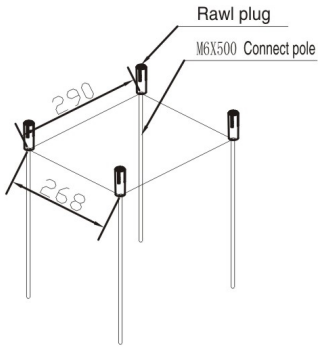
Bracket Dimension

Step 1



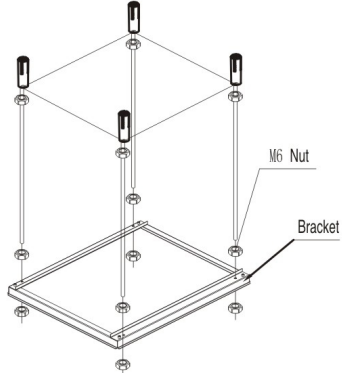
Drill 4 holes according to above dimension on the ceiling, hole size $\varnothing 8 \times 30$ mm. Insert 4 rawl plugs

Step 2



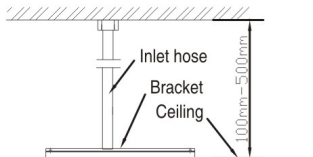
Screw 4 M6x500 connect pole in rawl plug

Step 3



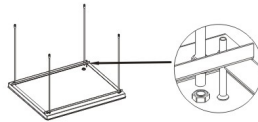
Install bracket to Connect pole

Step 4



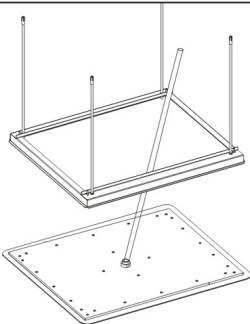
Connect to inlet hose

Step 5



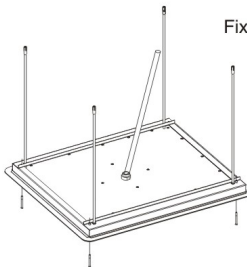
Tighten screw nut above and bottom of bracket

Step 6



Shower head connect to inlet hose

Step 7



Fix shower head to bracket

Step 8

1. Be careful not to collide.
2. Water pressure under 3 bar.
3. In the absence of professional and technical equipment, do not dismantle and disassembly.

www.victorianplumbing.co.uk