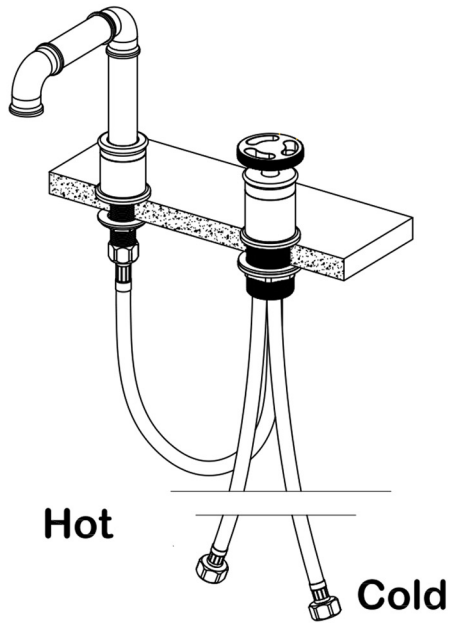
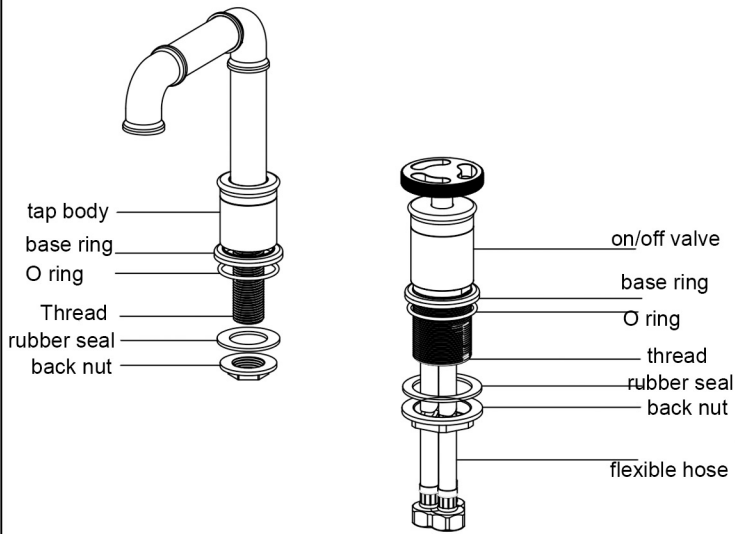


TAP INSTRUCTION



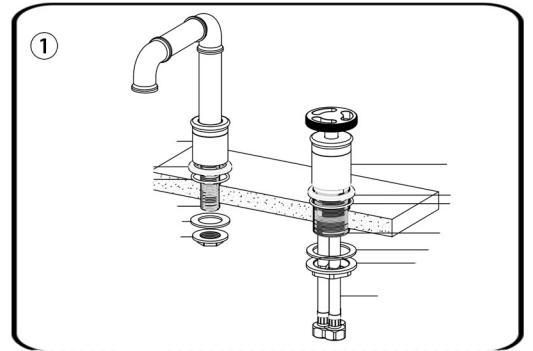
Spares:



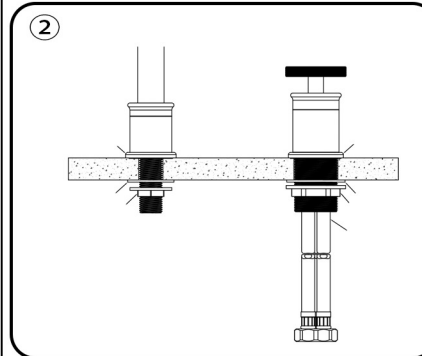
water pressure: 0.5bar - 5bar, recommend to use water pressure
0.1bar - 5 bar

working pressure: maximum 10 bar

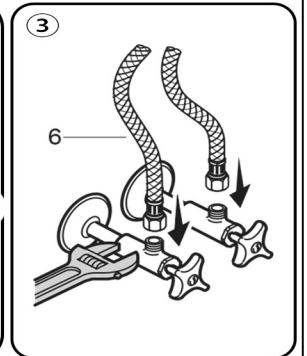
Step:



1、 connect the hoses to the on/off valve, install the base ring and O ring, then lock the back nut



2、 fix the spout



3、connect the flexible hose
to the water supply system