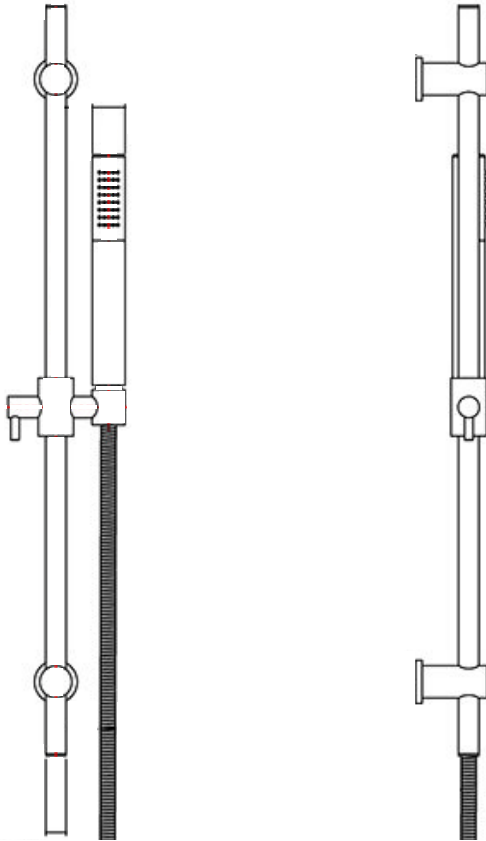


AREZZO

Round Modern Slide Rail Kit with Pencil Shower Handset



Fitting Instructions

Please follow them carefully and
leave this manual with end user

Installation Guide

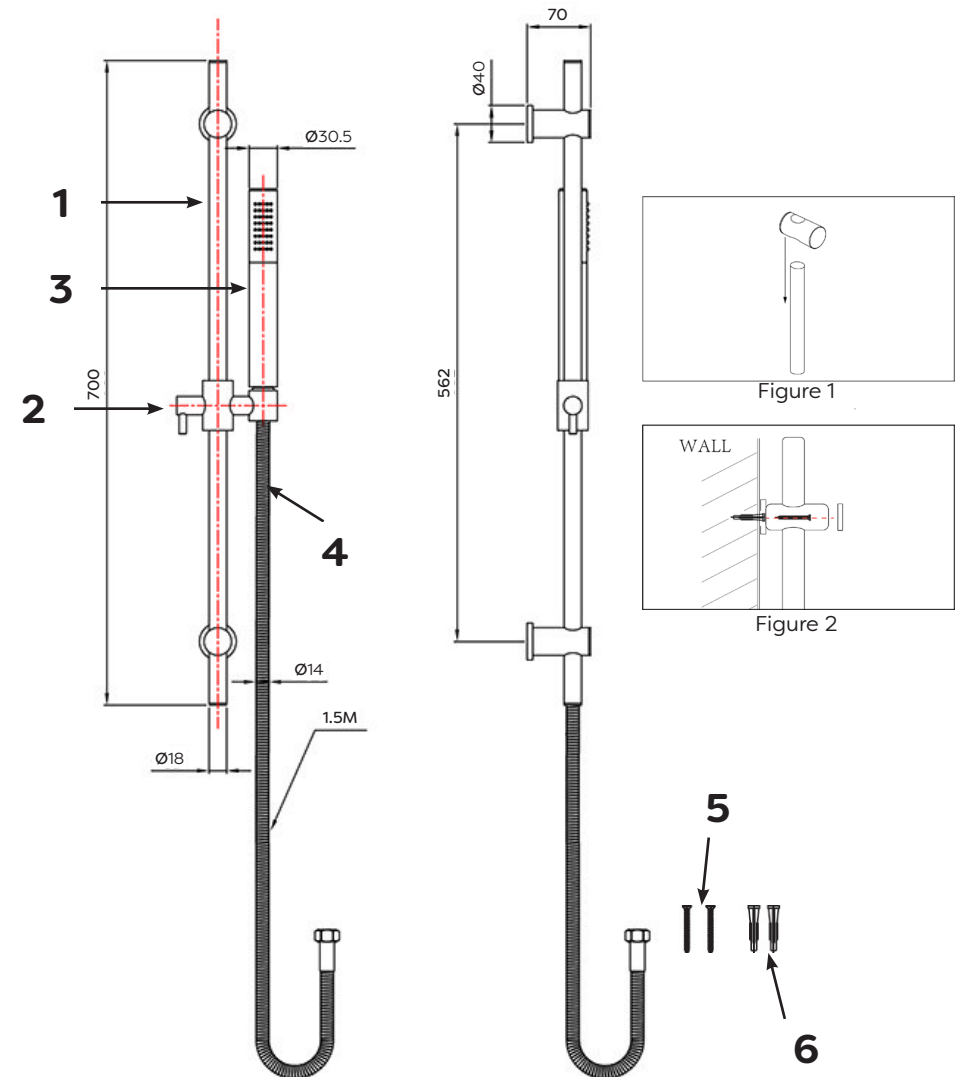
Before you begin:

1. We recommend that this product is installed by a qualified tradesperson and we accept no liability for products fitted incorrectly, and where the correct testing procedures have not been used, resulting in the escape of water.
2. Observe all local plumbing and building codes.
3. Unpack the product then read these instructions before proceeding. Inspect the product for damage. If any damage is found, contact our Customer Relations team.

Installation:

1. Identify all components are present prior to installation
2. Install handset holder (2) onto the square riser (1). Please be aware that the handset holder (2) can move up and down the rail
3. Place the two fixed bases onto either end of the round riser (1), see Figure 1
4. Measure the reserved space
5. Remove the covers on the fixed bases and position the riser rail (1) on the wall at the desired height. Mark the screw holes with a pencil, see Figure 2
6. Using an appropriately sized drill bit, drill the marked holes and place the wall plugs (6) into the holes
7. Place riser rail (1) onto the drilled holes, insert screw (5) and tighten
8. Re-attach fixed base covers
9. Connect the Shower hose (4) and shower handset (3) together using the G1/2" thread
10. Check all joints and connection for leaks.
11. The handset holder can now be moved to the desired height.

Attention: The working pressure of this product is between 1.0 - 8.0 bar



1. Riser Rail
2. Handset Holder
3. Shower Handset
4. 1.5m Shower Hose
5. Screw
6. Screw Wall Plug