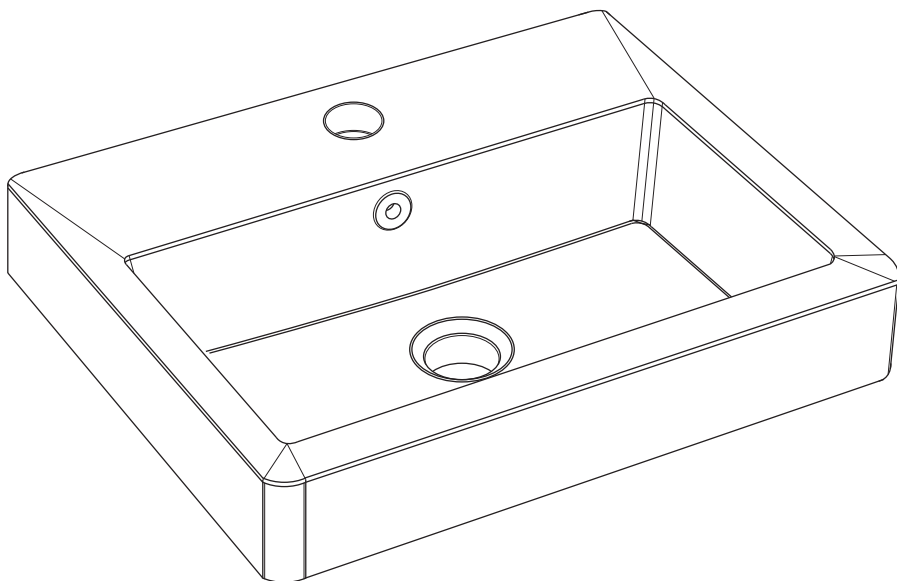


# AREZZO

## Universal Rectangular Countertop Basin



## Fitting Instructions

Please follow them carefully and  
leave this manual with end user

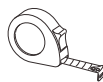
### Tools Required (Not Included):



Pencil



Drill



Tape  
Measure



Spirit Level



Silicone

\*Ensure the appropriate PPE is used during installation\*

## Before you begin:

1. **We recommend that this product is installed by a qualified tradesperson**, Victorian Plumbing Ltd. accept no liability for products incorrectly installed or any damage to the floor, walls, plumbing, vanity cabinet, sink, counter top, or personal injury during installation.
2. Observe all local plumbing and building codes & regulations.
3. Ensure the incoming mains water supply is switched off prior to commencing the installation.
4. For the following instructions, it is assumed that the in-wall/floor plumbing has already been prepared.
5. Unpack the product then read these instructions before proceeding. Inspect the product for damage. If any damage is found, contact our Customer Relations team.

## Installation

**Note:** Diagrams are for illustration purposes only. Your Basin may differ from these drawings however the installation guide steps still apply.

### Pre-Dressing (Not Included)

- Before fitting the basin, it is recommended to install the waste and tap for ease of plumbing.
- Refer to the instructions for installing the basin tap and waste for guidance if needed.

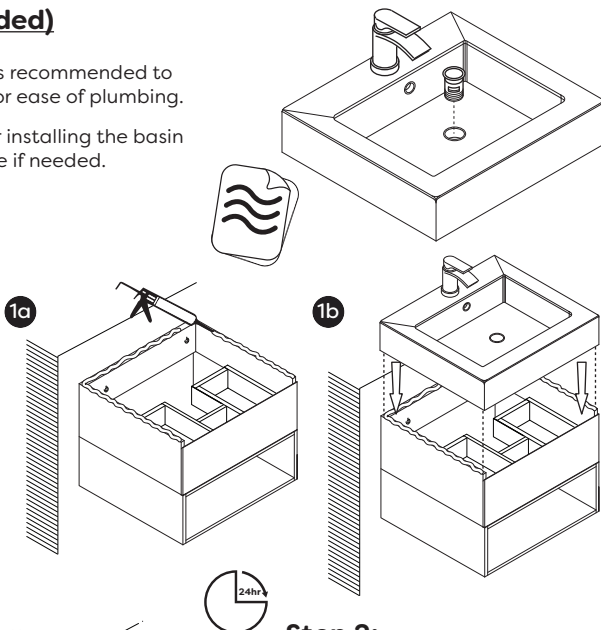
### Vanity Unit Installation

**Note:** Ensure the Vanity Unit being used in conjunction with the Basin is the correct size and fitting.

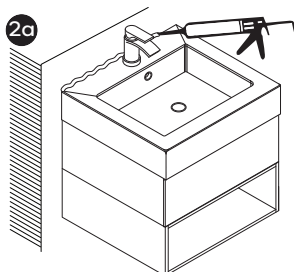
Fit the Vanity unit to the wall prior installing the basin. Refer to the instructions for guidance if needed.

#### Step 1:

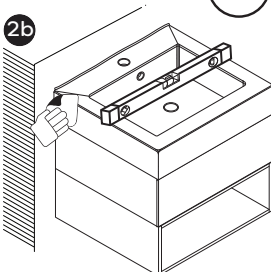
- Pipe a fine bead of good quality silicone sealant around the top edge of the cabinet and place the basin onto the cabinet.



2a



2b



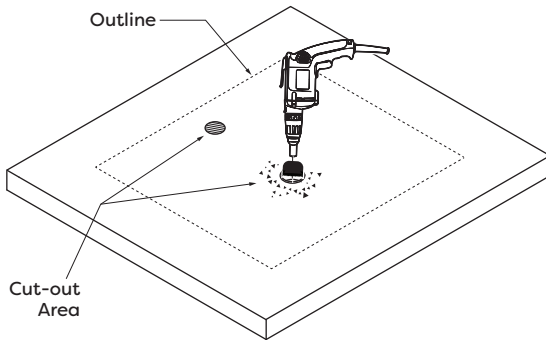
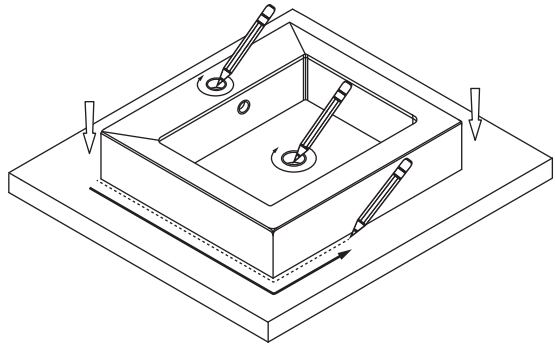
#### Step 2:

- Pipe a fine bead of good quality silicone sealant at the back to the basin to prevent water ingress. Wipe away any excess silicone with a damp cloth and allow 24 hours for the sealant to fully dry. Ensure all parts are level using a spirit level.

## Countertop Installation

### Step 1:

- Place the basin onto your chosen counter-top in the desired position. Using a pencil, mark the holes and outside edge of the basin onto the counter-top. Ensure the markings are level.
- Note:** Mark the measurements onto the counter-top prior to dressing the basin.

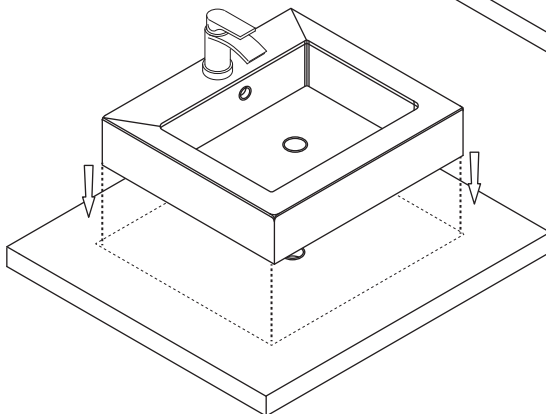
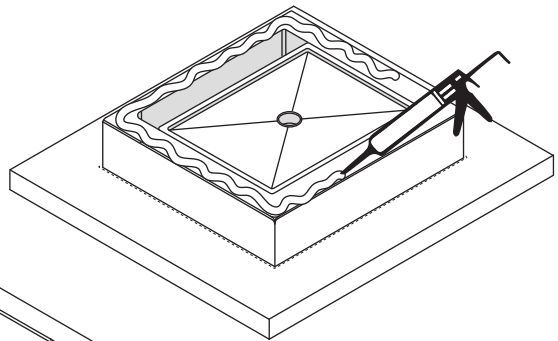


### Step 2:

- Move the basin away from the installation location. Using an appropriate sized hole saw. Carefully cut-out the markings on the counter top cut-out area, ensuring a clean cut.
- Note:** It is recommended to test fit the basin to ensure the basin sits on the counter-top correctly.

### Step 3:

- Place the basin facing down. Pipe a fine bead of good quality silicone sealant around the top edge of the basin.

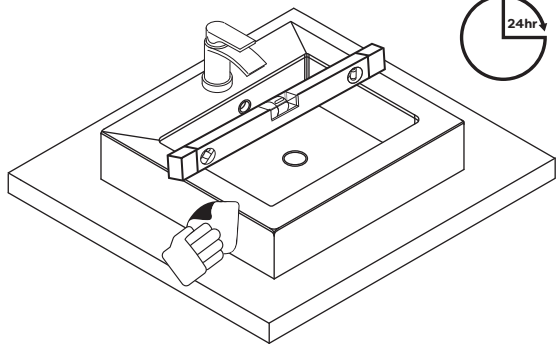


### Step 4:

- Place the basin firmly onto the counter-top using the original marking as a guide.
- Note:** It is recommended to pre-dress the basin before fitting the basin to the counter-top (as noted in page 2).

### Step 5:

- Wipe away any excess silicone with a damp cloth and allow 24 hours for the sealant to fully dry. Ensure all parts are level using a spirit level.



### Cleaning and Maintenance:

We recommend that you regularly clean your basin with a mild dish detergent. After each use, wipe the basin dry with a soft cloth. Do not allow mineral deposits such as iron, salt, lime, or soap to build up on your basin. Refrain from using acidic household cleaners, wipes with harsh chemicals, or abrasives, as these will damage the basin.

### Recycling and Disposal:

Please recycle the packaging in accordance with your local government regulations on waste handling and follow the same advice at the end of the products life.