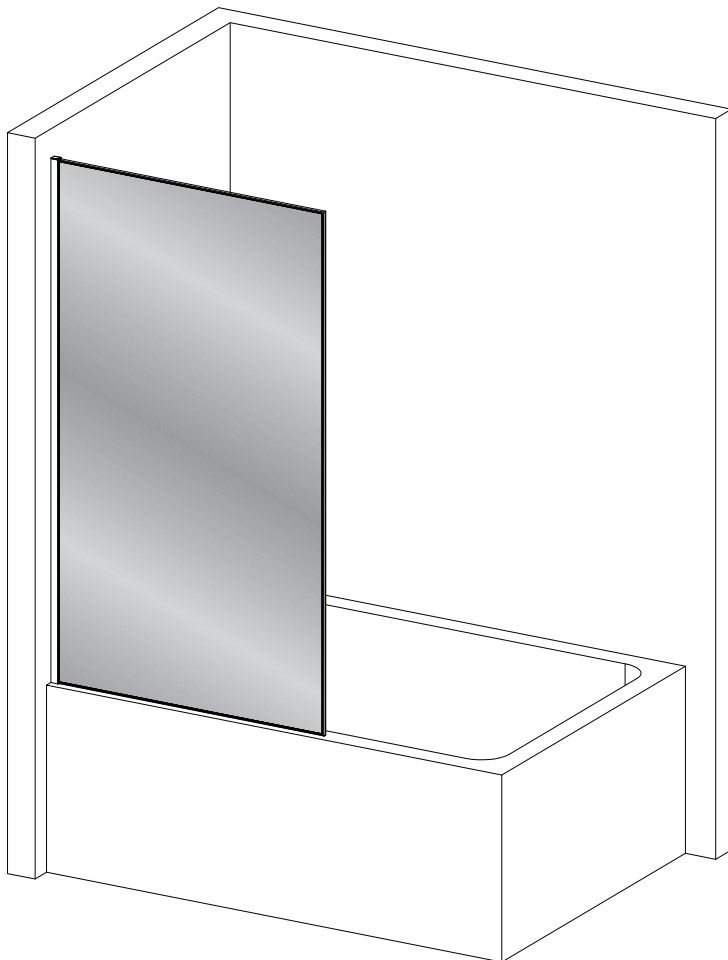


AREZZO

Slim Frame Fixed Bath Screen



Fitting Instructions

Please follow them carefully and
leave this manual with end user

Safety Information for User & Installer

Before you begin:

1. **We recommend that this product is installed by a qualified tradesperson,** Victorian Plumbing Ltd. accept no liability for products incorrectly installed or any damage to the floor, walls, plumbing, glass screen, or personal injury during installation.
2. Incorrect installation of the enclosure will invalidate the guarantee.
3. Carefully check the product for transport damage prior to installation.
4. Never install damaged panels as there is a risk of spontaneous glass breakage. The supplied fixings/wall plugs are only for mounting directly on solid walls.
5. It is essential that the solid, masonry/walls be inspected for adequate load-bearing capacity prior to every installation. The supplied fixings/wall plugs are not for use with stud walls such as plaster board, wood, metal or fiber board.
6. Always seek professional advice to confirm wall type and appropriate type of fixing to be used for installation. Always check walls for concealed utility lines (power, gas, and water) prior to drilling the fixing holes.

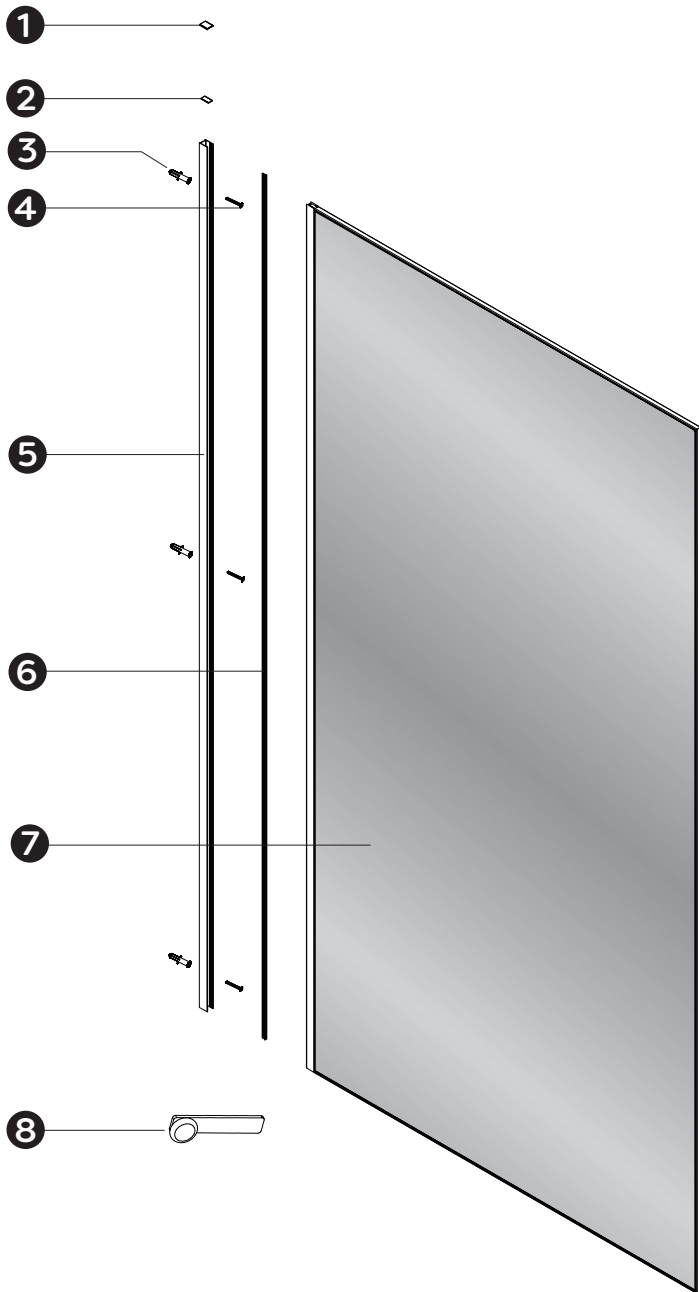
Special information on handling glass:

1. **Always** protect all glass edges from damage.
2. **Never stand the glass on its corners throughout the installation!** Place the packing material beneath the glass panel; never place the glass on tiles, concrete floors or similarly hard surfaces.
3. It is mandatory to check each glass panel for damage prior to installation. Never install damaged glass panels as this could cause spontaneous glass breakage!
4. If the glass panel is damaged during use, it must be replaced without delay. **(Failure could cause a risk of spontaneous glass breakage!)**

Prevent damage to glass or operation of the product:

1. Ensure that no objects obstruct the glass panel.
2. Avoid hitting the panels with hard objects or tools during assembly. Damaged panels must be replaced as failures may cause latent glass breakage.
3. Do not use panels or handles to hang or support items such as drying towels or clothes.


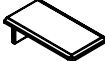
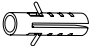

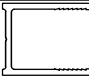
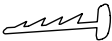
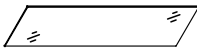

Diagram:



SIZE	A
800	780-790



Items included:

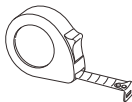
No.	Description	Picture	Qty
1	Top Cover Cap		1
2	Small Cover Cap		1
3	Rawl Plug		3
4	ST3.9X35 Screw		3
5	Profile		1
6	Channel Seal		1
7	Glass Panel		1
8	Seal Insertion Tool		1

Tools Required (Not Included):

Ensure the appropriate PPE is used during installation



Pencil



Tape Measure



Drill



Screw Driver



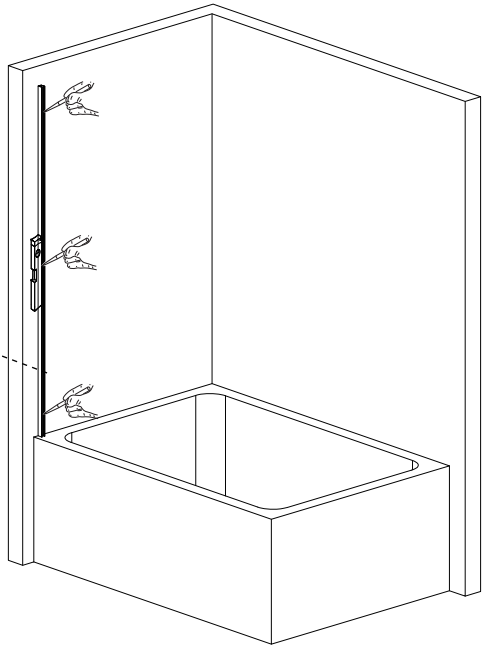
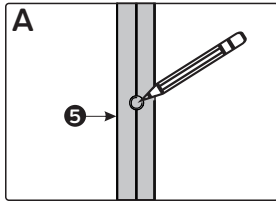
Spirit Level



Silicone

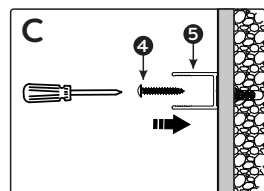
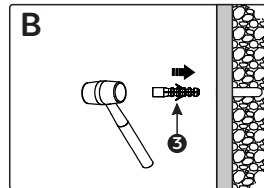
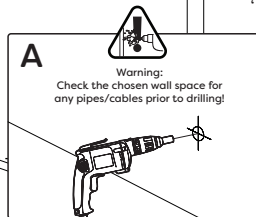
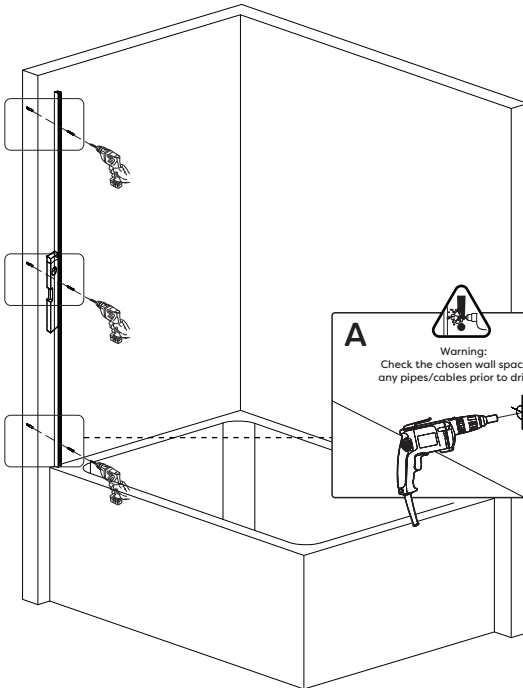
Step 1:

- Confirm the position of the 'Profile', mark the fixing points to the wall ready for drilling. Ensure the markings are level using a spirit level.



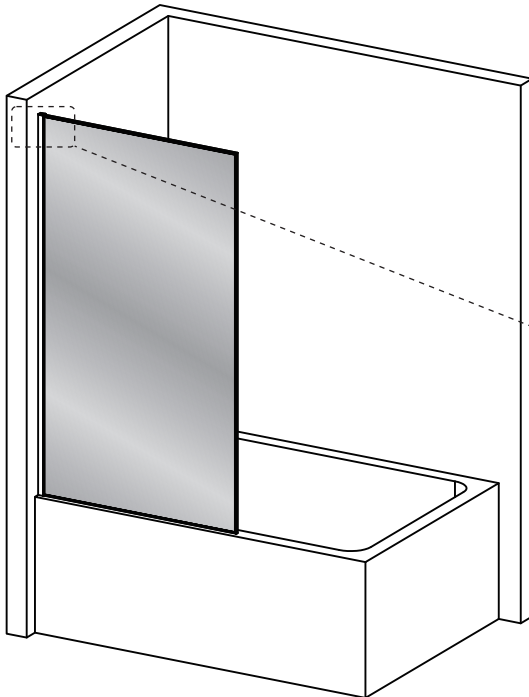
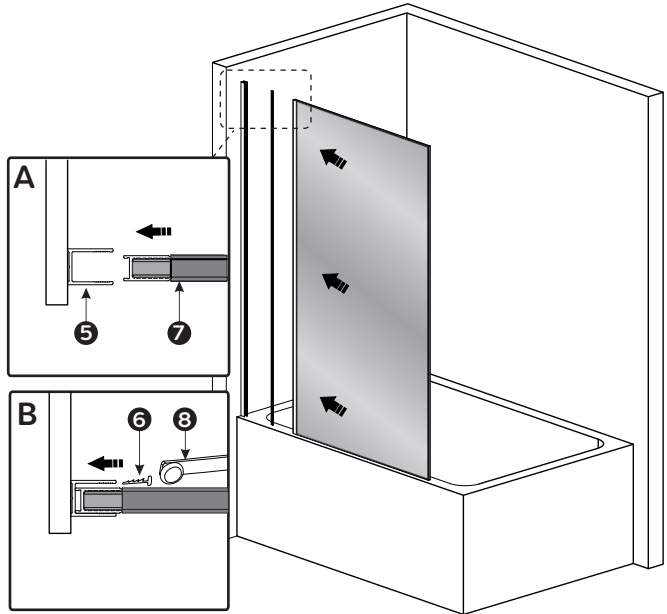
Step 2:

- Place the 'Profile' to one side. Using an appropriate sized drill bit, carefully drill the holes in the wall. Ensure that there are no hidden pipes/cables behind the wall markings. Insert the 'Rawl Plugs' provided into the drilled holes.
- Place the 'Profile' over the 'Rawl Plugs' and secure into place using the 'Screws' provided. Ensure the 'Profile' is level using a spirit level.



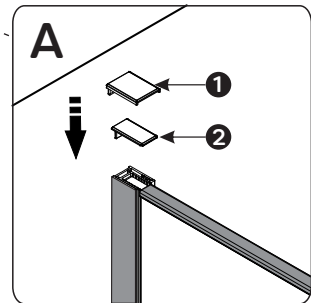
Step 3:

- Carefully insert the 'Glass Panel' into the 'Profile' on the wall, then insert the 'Channel Seal' into the gap between the panel and the profile.
- Using the 'Seal Insertion Tool', ensure the 'Channel Seal' is fully inserted into the profile and there are no gaps.



Step 4:

- Insert the 'Small Cover Cap' within the top of the profile, then insert the 'Top Cover Cap' over the top of the profile. Ensure that both caps are fully inserted into place.

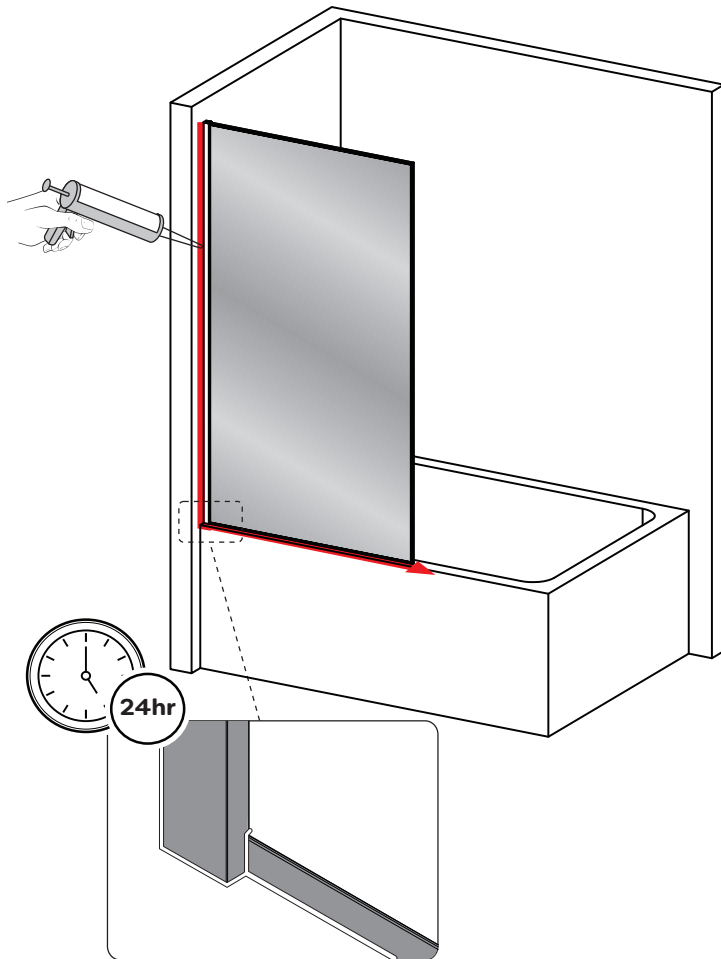


Step 6:

- Pipe a fine bead of good quality silicone sealant along the back of the profile edge and bottom of the panel (including where the screen and the profile meet.)
- Wipe away any excess silicone with a damp cloth and allow 24 hours for the sealant to fully dry.

Attention:

Do not use your shower enclosure within 24 hours of assembly.



Cleaning:

Do not use steam cleaners, caustic or aggressive cleaning and scouring agents, cleaners that corrode plastics, or solvents containing acetone, turpentine or neat bleach.

- Do not use any cleaning agents, which may corrode aluminium or light alloys.
- To prevent damage to glass coating system, do not use glass cleaning pastes and micro-fibre cloths.
- In order to prevent the build-up of lime scale, remove any remaining drops of water after showering using a squeegee, soft cloth without any cleaning agent.
- After use, carefully rinse off all residue such as; liquid soaps, shampoos, shower gels or similar cosmetic product with water to avoid deposits.

Important: Never apply the cleaning agent for longer than necessary. After cleaning, check all the moving elements are sufficiently greased, re-grease if necessary.

Service/Repair and Inspection for Safety:

After cleaning, check all the moving elements are sufficiently greased, re-grease if necessary, only use acid-free grease.

Recycling and Disposal:

Please recycle the packaging in accordance with your local government regulations on waste handling, and follow the same advice at the end of the products life.