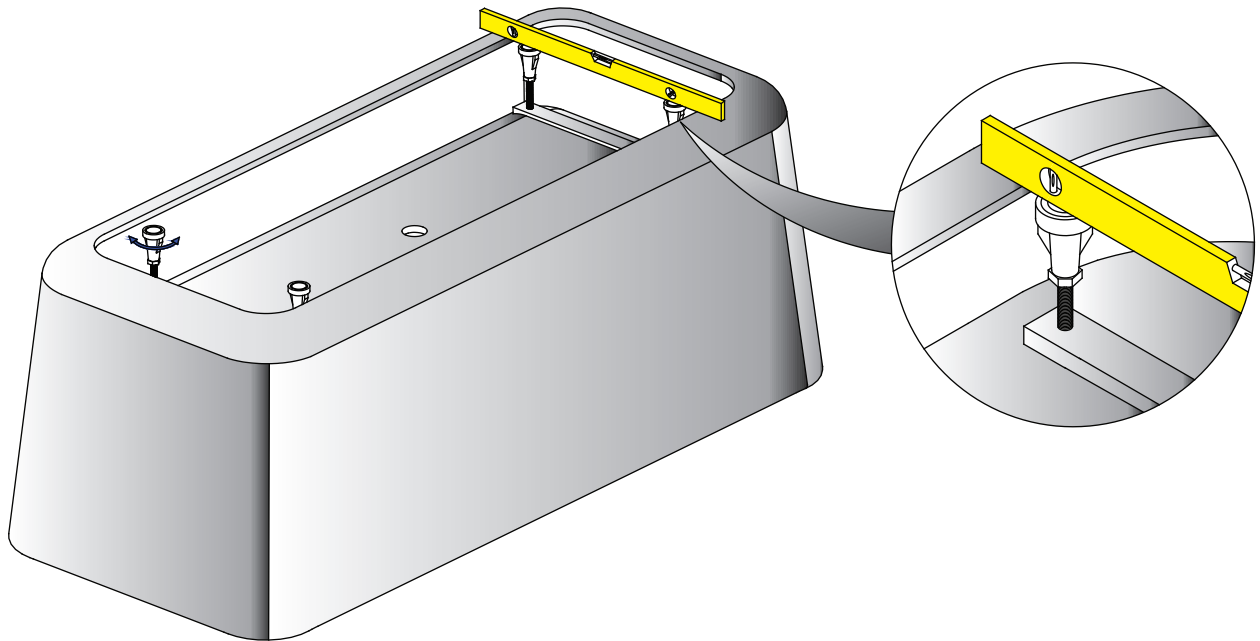


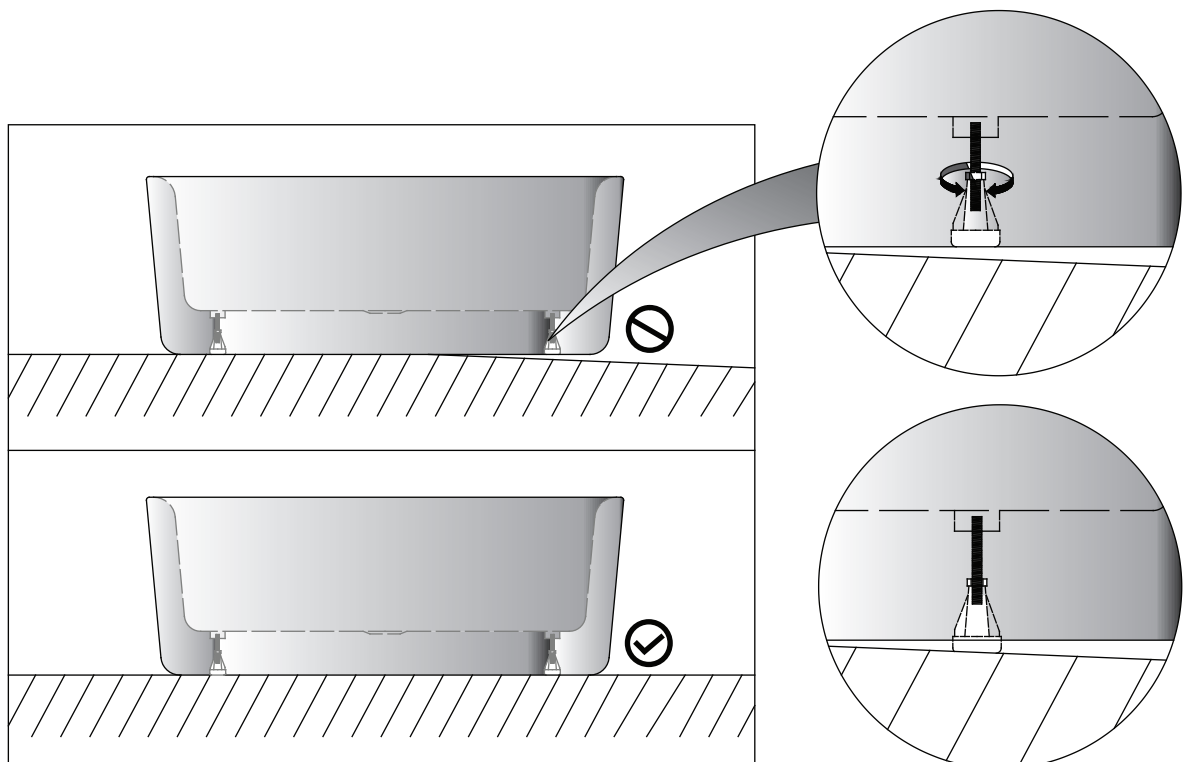
Installation Instructions

Freestanding bath

- Ensure legs are adjusted in line with the base of bath.



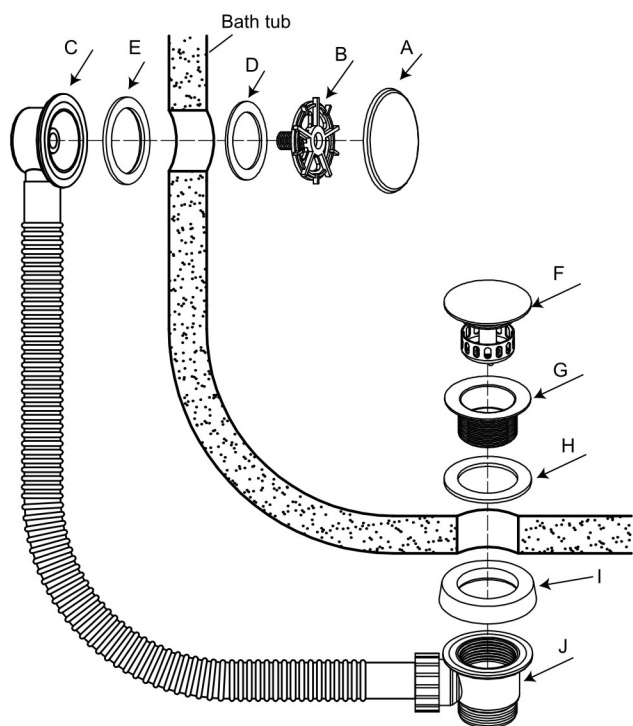
- Check that bath sits flat; if required adjust legs to compensate for floor level.



Assembly Instructions

Installation Steps

1. Identify all components are present prior to installation
2. Flush pipes to remove any debris in pipes before installation
3. Position overflow body (C). Ensure washers (Item D and E) are in place and push the overflow cover (A) into lock nut (B)
4. Assemble waste outlet (J). Ensure washers (Items H and I) and Flange (G) are in place and tighten.
5. Fill the bath with water and check all joints to ensure there are no leaks. This is best done in stages starting with a small amount of water before fully filling the bath
6. Once fitting has been completed, carefully clean all plated surfaces. The finish surface of the product should be cleaned on a regular basis to maintain their appearance.
The product should only be cleaned with warm soapy water and then wiped with a dry cloth



- A. Overflow cover
- B. Lock nut
- C. Overflow body
- D. Flat washer-lock nut
- E. Flat washer- overflow
- F. Cover
- G. Flange
- H. Washer
- I. Washer
- J. Waste outlet

Once assembled, fill the bath with water, check for leaks.

