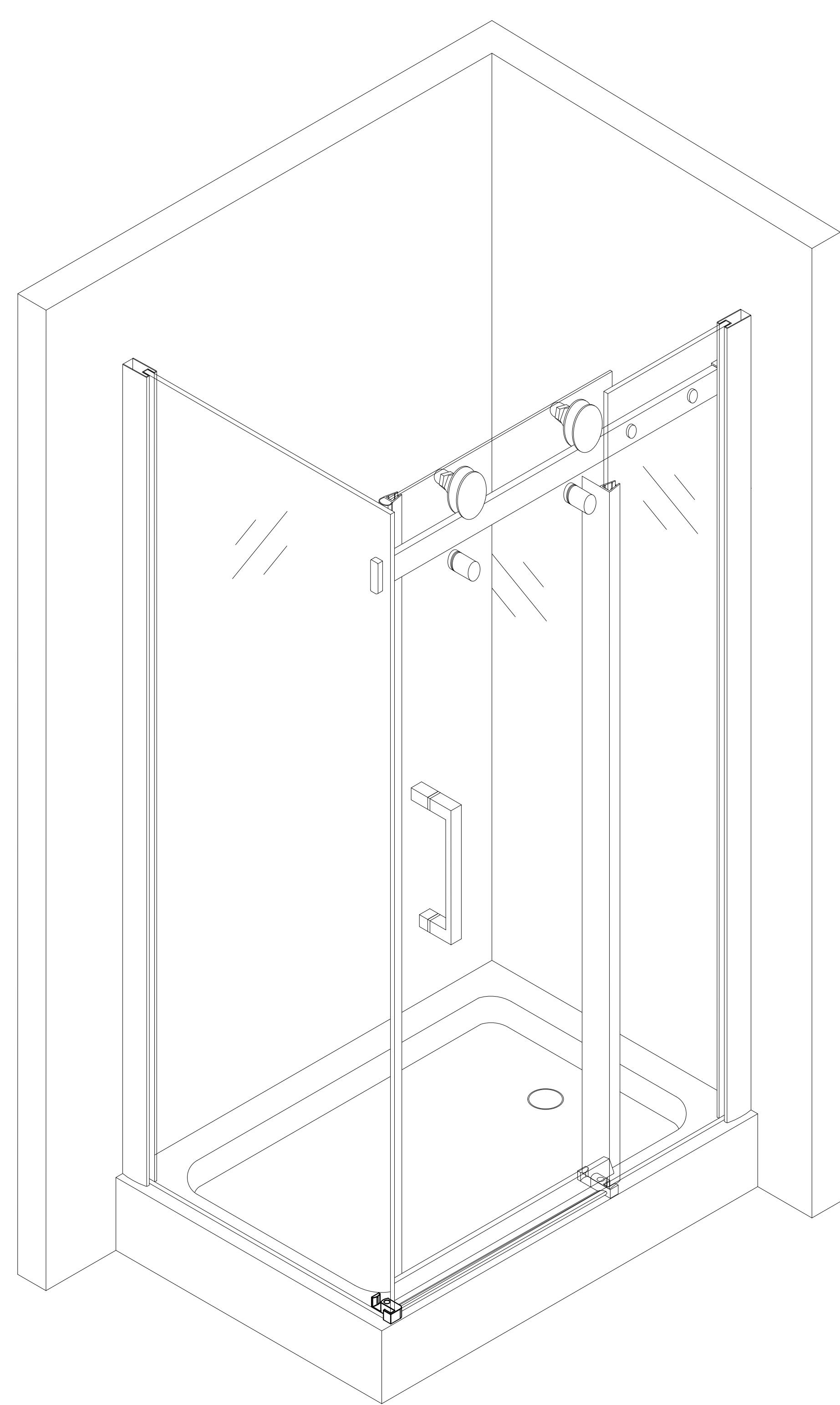
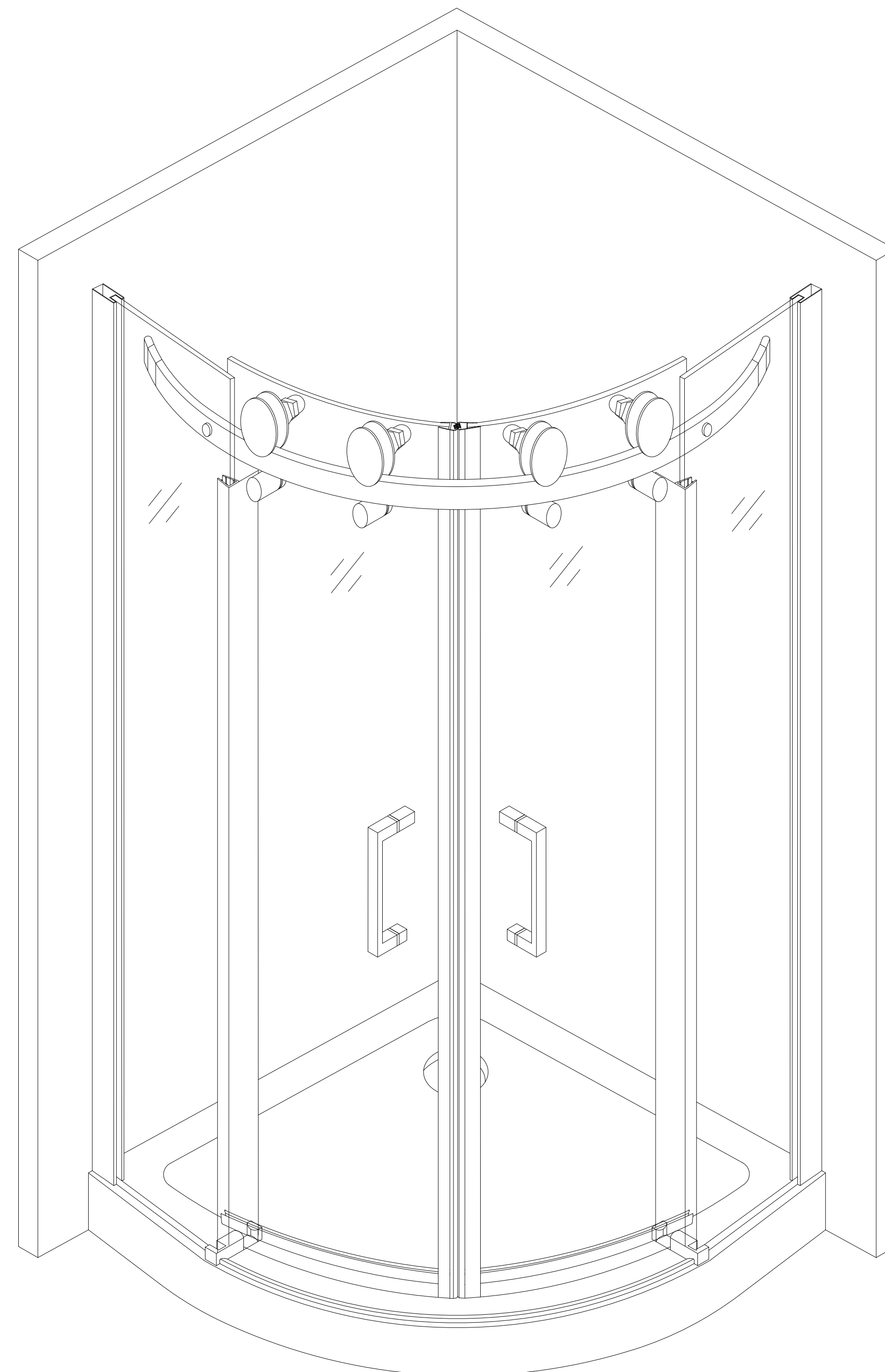
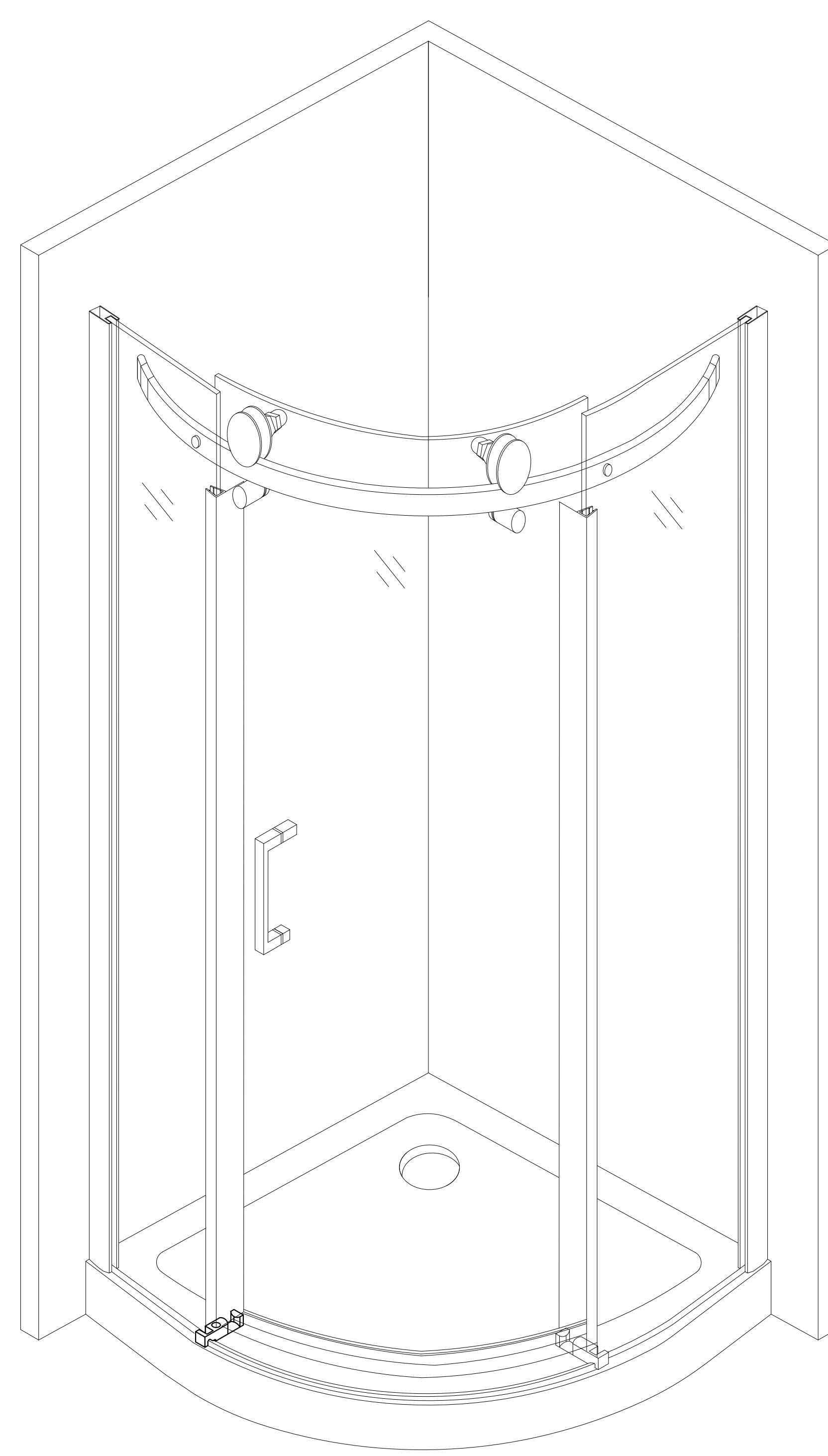
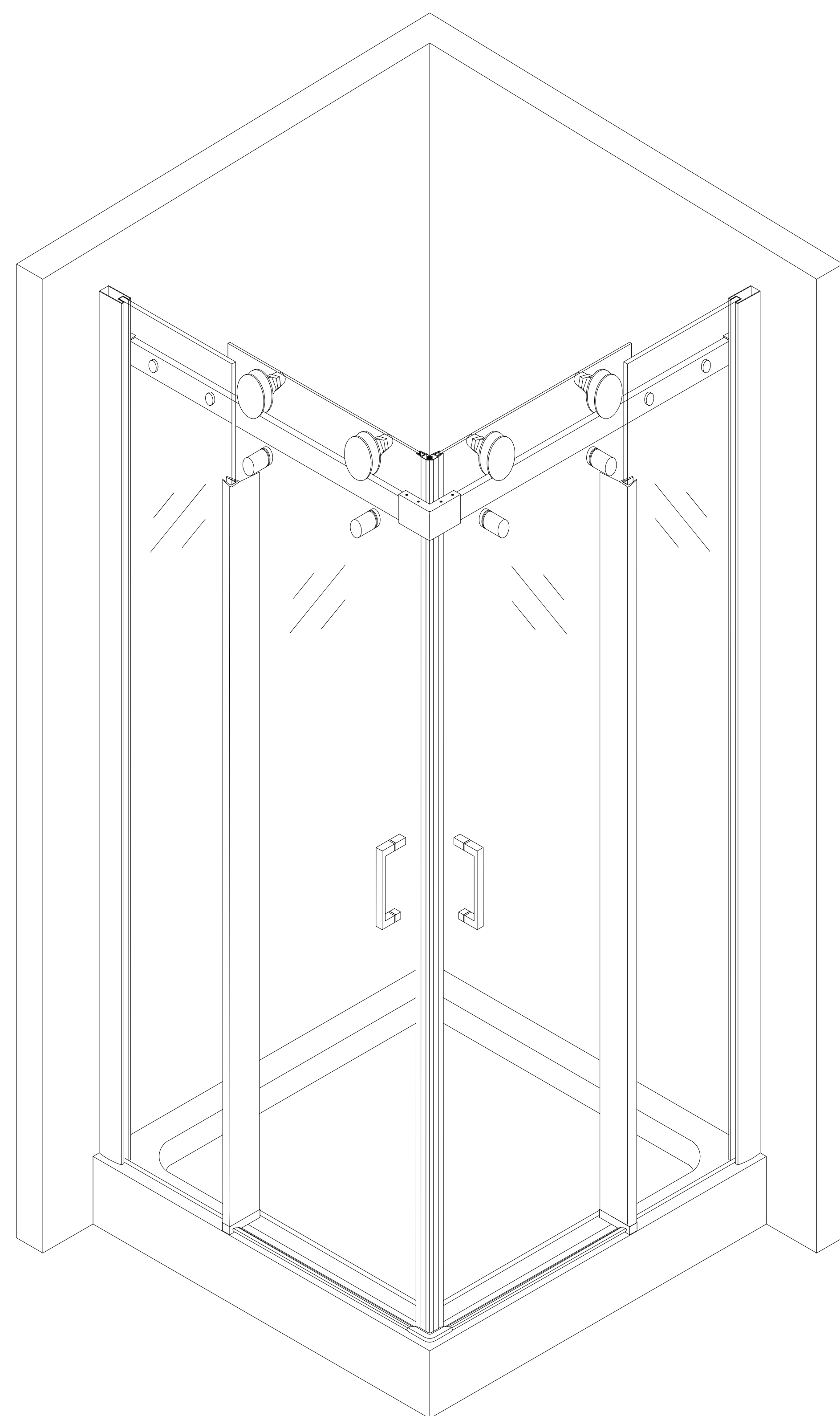
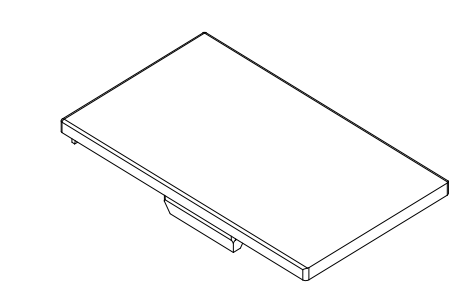


BRB-1M02

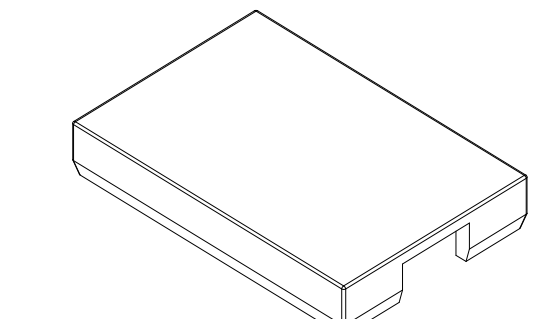


1
Optional parts



BRB-S02 2Pcs

2
Optional parts



BRB-S01 2Pcs

1

