

A fully qualified and competent person should install this product.

### **Tools Required (not supplied)**

Pencil; Tape measure; Screwdriver appropriate to fixings; Spirit level; Drill; Masonry drill bit appropriate to fixings, Ceramic drill bit (optional) appropriate to fixings.

### **Home Safety Advice**

- It is recommended that two people fit this product to ensure that it is fitted safely.
- Always take care when using power tools, particularly in the bathroom.
- Always check for hidden cables and pipework before drilling and take extreme care if there is any water in the working area.
- It is advisable to use a residual current circuit breaker (RCCB).
- Always wear suitable eye protection when drilling.
- If the product is to be fitted on a ceramic tiled wall, a ceramic drill bit should be used.
- Always ensure that the drill hole passes through the central tiled area rather than through the grouted area. To prevent damage to the tile, mask the area around the hole with tape before drilling.
- Do not strike the product with hard or sharp objects.
- Warning! This product has been designed as a seat only and should not be used for any other purposes.

Maximum Weight – 160 kg evenly distributed about the seat.

### **Product Location**

Shower seats are only as strong as the wall to which they are fixed and the fixings that are used. For different wall types you will need to ensure that you are using the correct type of fixing for the material of the wall. The addition of backboards on the outside of the wall or appropriate strengthening of internal structures may be required to provide adequate wall strength.

### **Product Care**

To retain the best quality finish, clean product regularly with a soft damp cloth. Do not use abrasive or chemical cleaners as these will damage the product. Dry the shower seat after use.

**Note:** If the wall is made of lightweight thermal blocks, aerated hollow brickwork, or prefabricated partitions, even the most appropriate fixings may not be able to withstand the loads which can be suddenly applied to shower seats.

### **Recycling and disposal**

Please recycle the packaging in accordance with your local government regulations on waste handling and follow the same advice at the end of the products' life.

For more Information

Visit: [victorianplumbing.co.uk](http://victorianplumbing.co.uk)

**INSTALLATION INSTRUCTIONS**

Place a blanket down in the area that you will be installing the Seat to protect the shower or bathtub surfaces from parts that may fall during installation.

1. Identify the horizontal and vertical location of the Seat. Specifically, identify the location of the top hole on one side of the wall bracket as shown in of Figure 1 (a).
2. Notch the tile accurately with a center punch as shown in Figure 2. NOTE: A light tap is all that is required for punch to make notch.
3. Using an appropriately sized masonry bit, drill the appropriate number of fixing holes and insert raw plugs.
4. Secure wall bracket using appropriate fasteners. Ensure the screw goes in as straight as possible as show in Figure 4.
5. Once attached, use level as shown in Figure 1 (b) to ensure seat is straight. Identify the location of the top hole on the opposite wall bracket.

**IMPORTANT:** Ensure distance between the wall brackets allows for easysliding of the back rest panel (do not cause to bend inwards).

Repeat steps A2 thru A4 first for the top hole on the opposite wall bracket and ensure it is level. Repeat steps A2 thru A4 the remaining holes.

**NOTE:** Perform a final tighten and inspection of all fasteners. Test the installation by pushing down sitting on the seat.

6. Once all screws are installed, the backrest panels can be slid onto the wall bracket as shown below. Ensure the orientation of each seat panel is correct.

Your Seat is now installed.

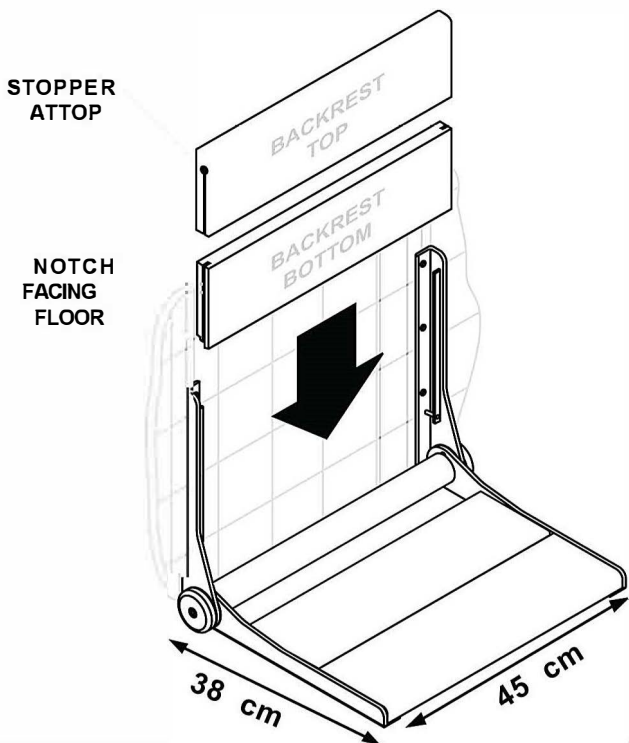


Figure 1.

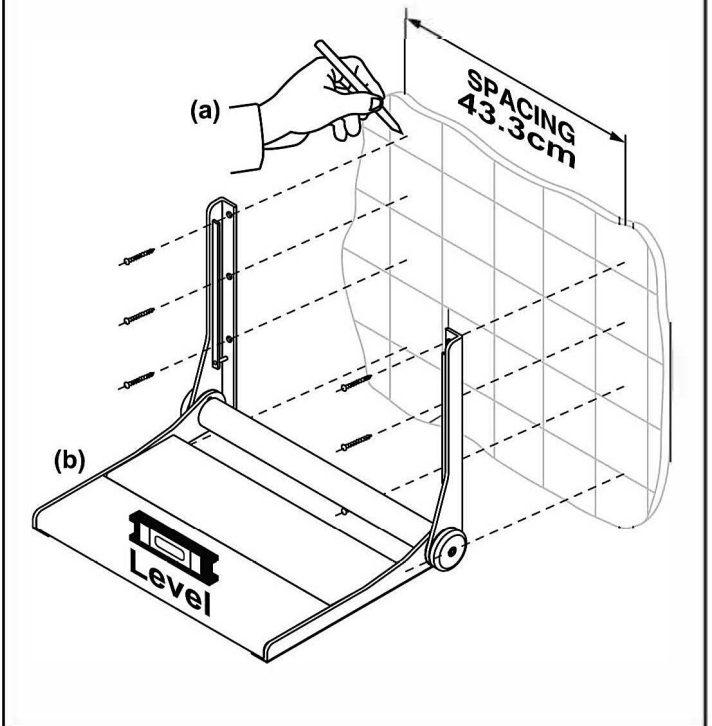


Figure 2.

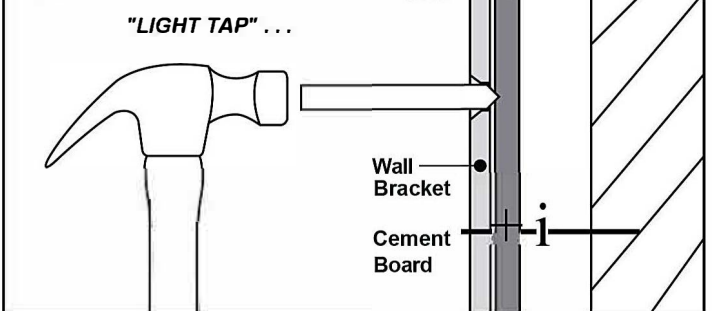


Figure 3.

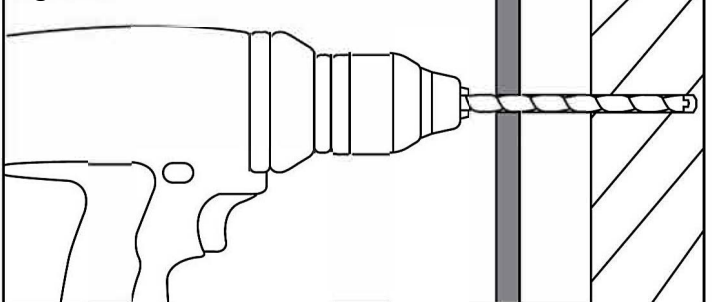


Figure 4.

