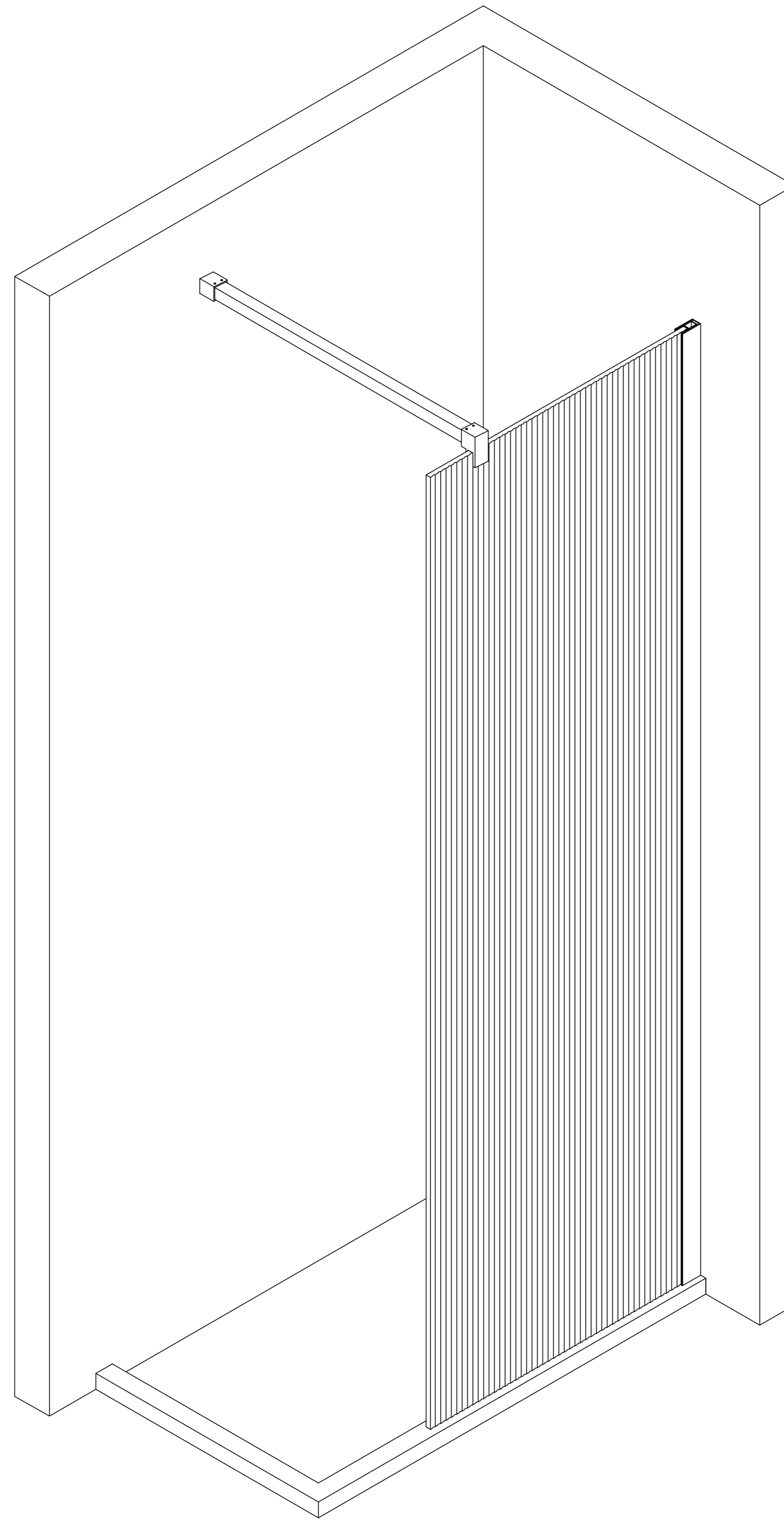
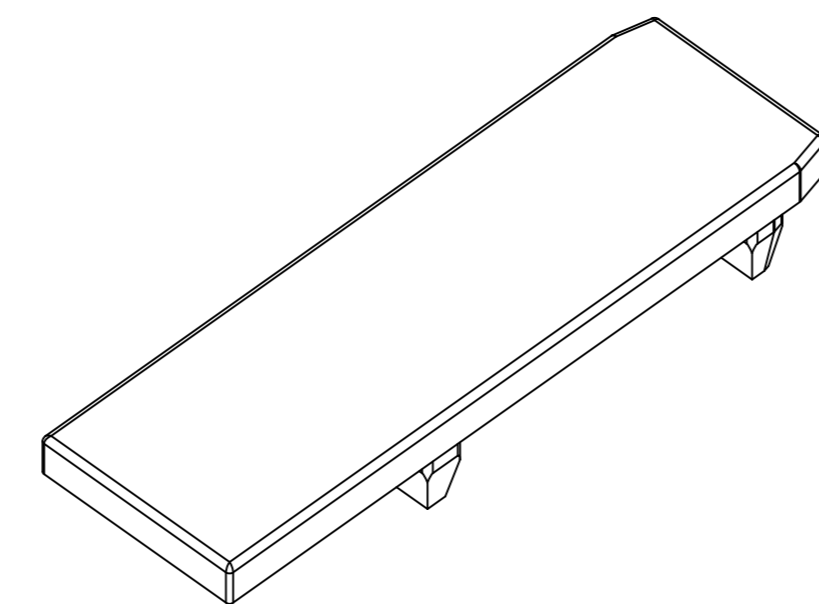


BRSF-M02



1

Optional parts

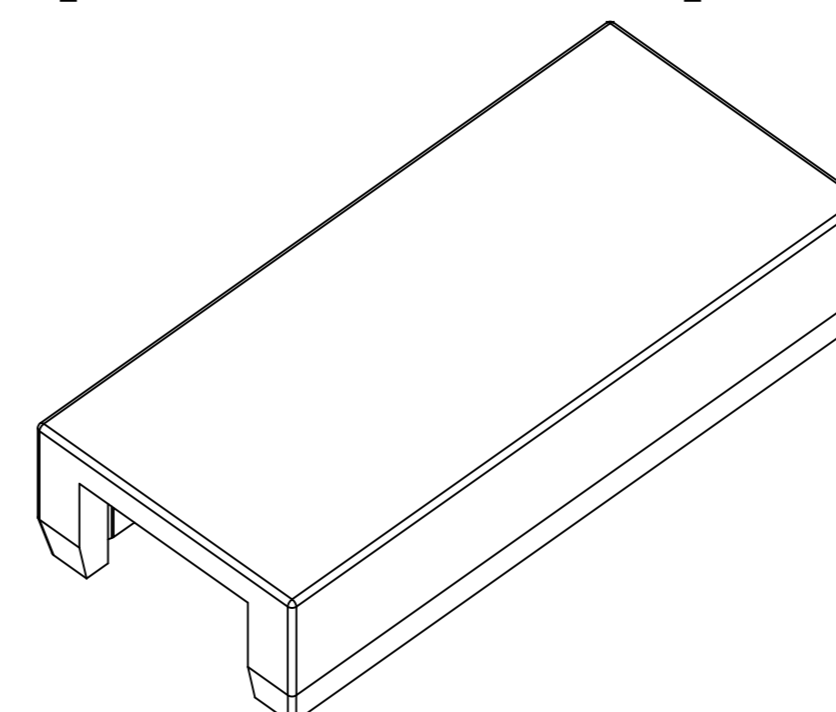


BRSF00F-S01

1Pcs

2

Optional parts



BRSF00F-S02

1Pcs

1

