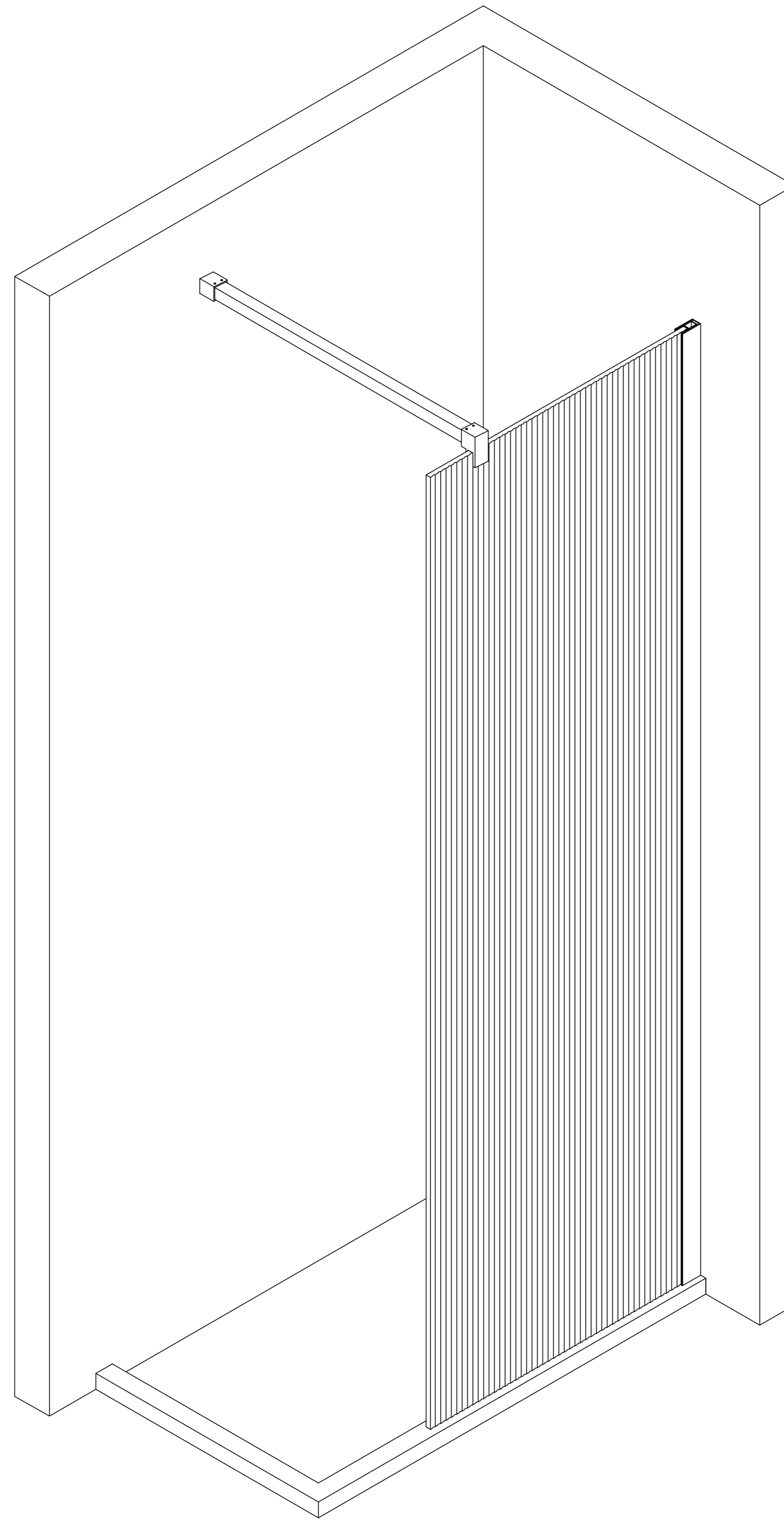
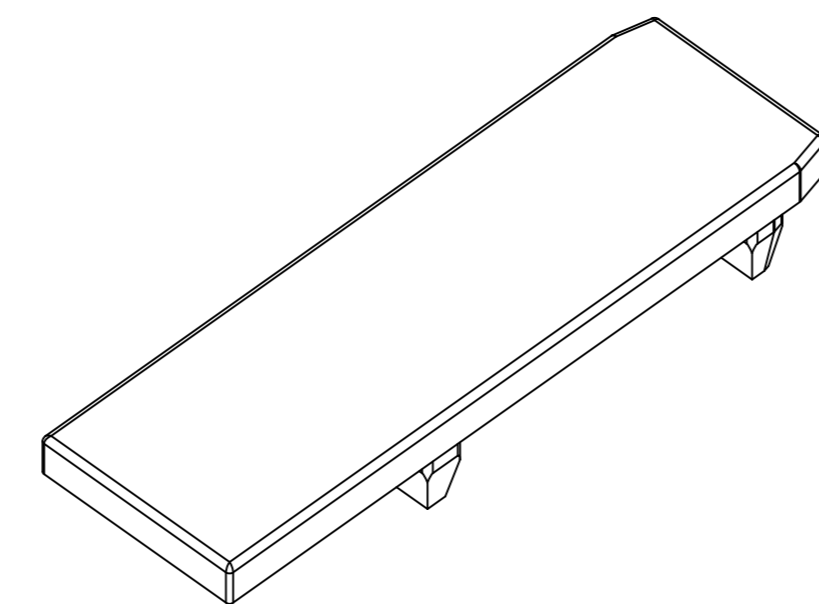


# JRSF-M02



1

Optional parts

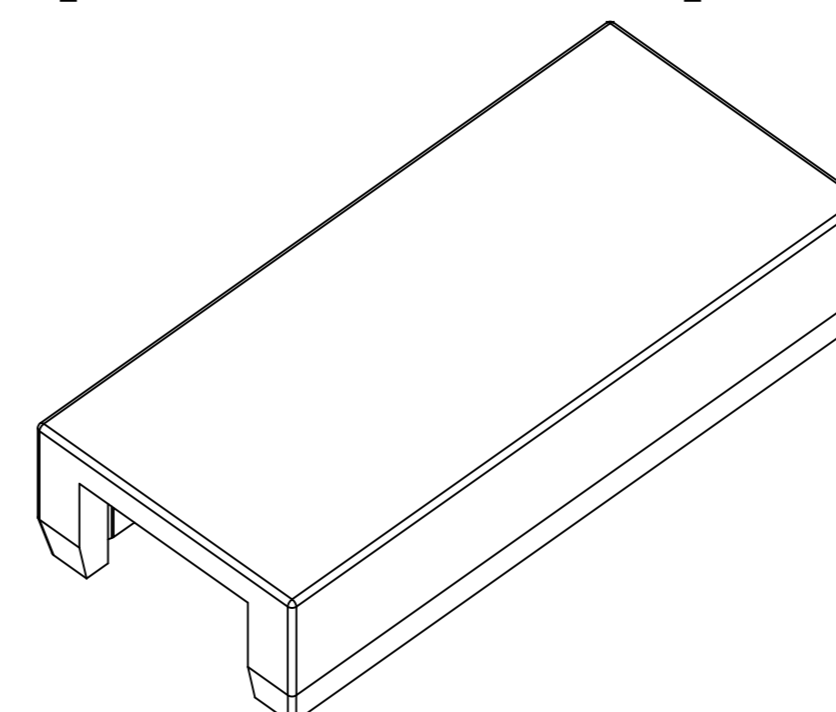


JRSF00F-S01

1Pcs

2

Optional parts



JRSF00F-S02

1Pcs

1

