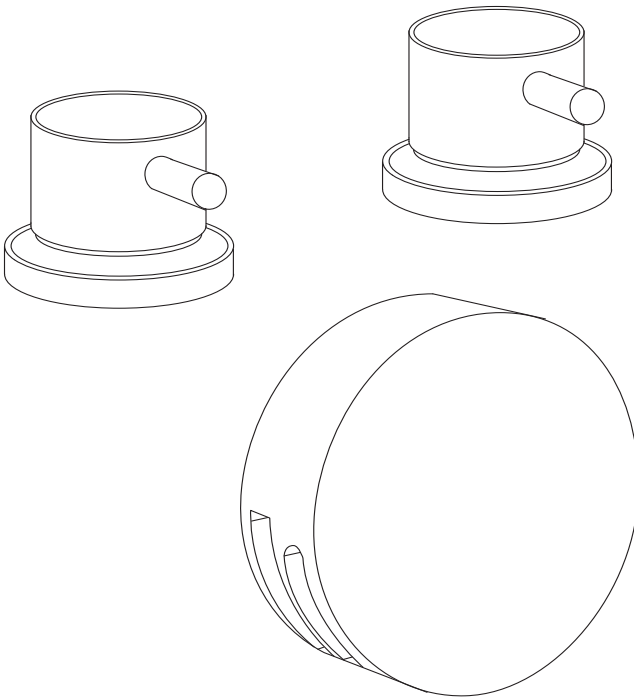


# AREZZO

## Side Valves and Overflow Filler



## Fitting Instructions

Please follow them carefully and  
leave this manual with end user

# Installation Guide

## Before installation, please read this guide carefully.

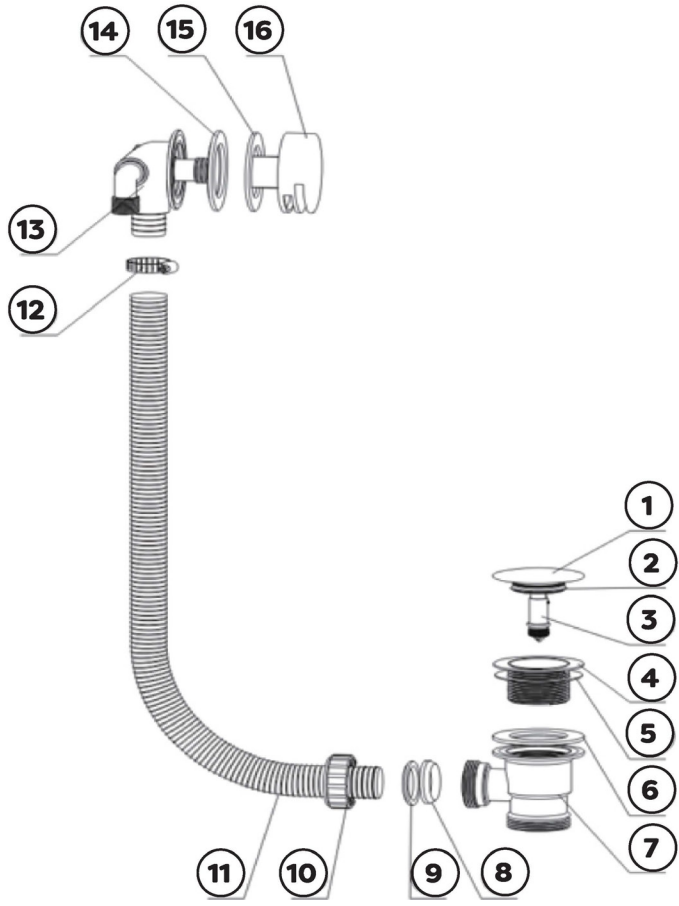
1. We recommend that this product is installed by a qualified accredited tradesperson, Victorian Plumbing Ltd. accept no liability for products incorrectly installed, or where the correct testing procedures have not been adhered to, thus resulting in the escape of water and consequential damage.
2. Ensure the incoming mains water supply is switched off prior to commencing the installation.
3. Observe all local plumbing and building codes & regulations.
4. Carefully inspect the product for damage. If any damage is found, immediately contact our Customer Relations Team.

## Operation notice:

1. The product is used between water pressure 0.5 to 4 bar, water temperature 0-90c.
2. The waste and the tap is suitable for being installed in the bathtub which thickness is 5~15 mm.
3. Read all the instructions completely before proceeding.

## Waste Installation:

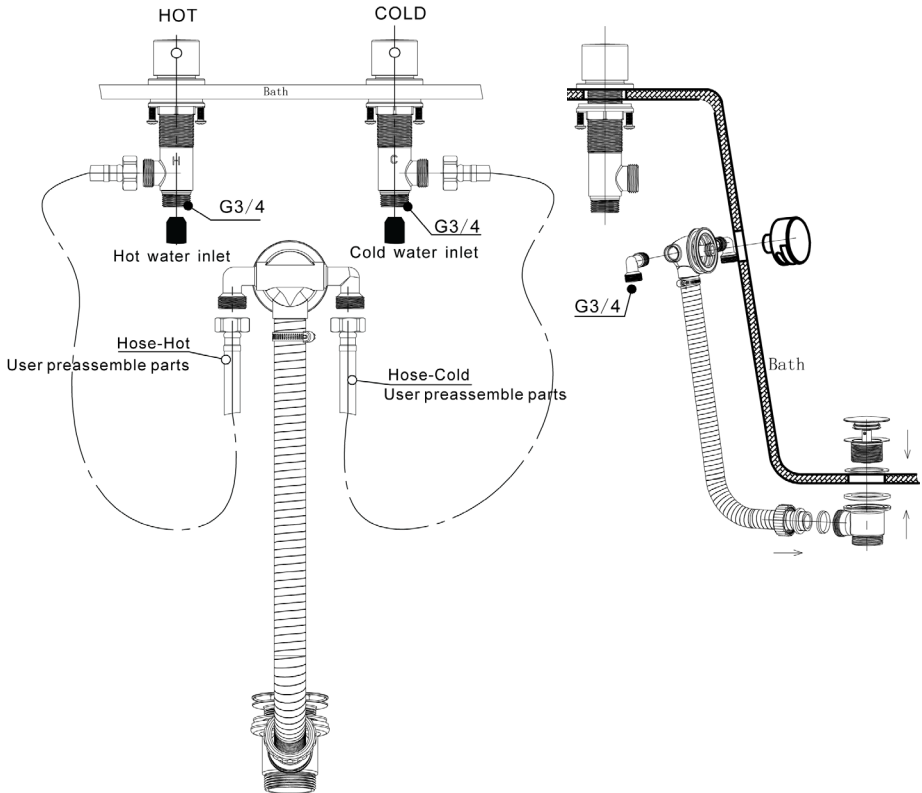
1. Remove waste cover - this includes cover **(1)**, seal washer **(2)**, click clack mechanism **(3)**.
2. Unscrew the waste flange **(4)** and place silicone washer **(5)** over the hole on the bottom of the bath. Place waste flange **(4)** through the silicone washer **(5)** and the bath hole. Put rubber washer **(6)** over the bottom the of the waste flange **(4)** and screw on the waste body **(7)**.
3. Unscrew the overflow cover **(16)**, foam washer **(15)** and rubber washer **(14)** from the overflow elbow **(13)**.
4. Place the rubber washer **(14)** and the overflow elbow on the back of the bath and line up with the overflow hole. From the front of the bath, re-attach the overflow cover **(16)**, foam washer **(15)**.
5. Connect the hose **(11)** to the overflow elbow **(13)** using the clamp **(12)**, do not over tighten.
6. Attach the hose **(11)** to the waste body **(7)** using the plastic nut.
7. Re-attach the waste cover **(1)**
8. Fill the bath with water and check all joints to ensure there are no leaks. This is the best done in stages starting with a small amount of water before fully filling the bath.



- |                          |                    |
|--------------------------|--------------------|
| 1. Cover                 | 9. Plastic Ring    |
| 2. Seal Washer           | 10. Plastic Screw  |
| 3. Click Clack Mechanism | 11. PVC Hose       |
| 4. Waste Flange          | 12. Clamp          |
| 5. Silicone Washer       | 13. Overflow Elbow |
| 6. Rubber Washer         | 14. Rubber Washer  |
| 7. Waste Body            | 15. Foam Washer    |
| 8. Rubber Seal Washer    | 16. Overflow Cover |

## Overflow Installation:

1. Install the Bath waste on the bathtub.
2. Install the two valve bodies on the two mounting holes of bathtub.
3. Connect two valve bodies with the two G3/4" outlet elbows by two hoses, then connect the hot water inlet and cold water inlet pipe with the two valve bodies separately.
4. Check all joints & connections for leakage after installation.



## Aftercare:

When installing or using tools, extra care must be taken to avoid damaging the finish or fitting. To maintain the appearance, please ensure it is cleaned regularly using a clean soft damp cloth only. Abrasive cleaners or detergents must not be used as they may cause surface deterioration.