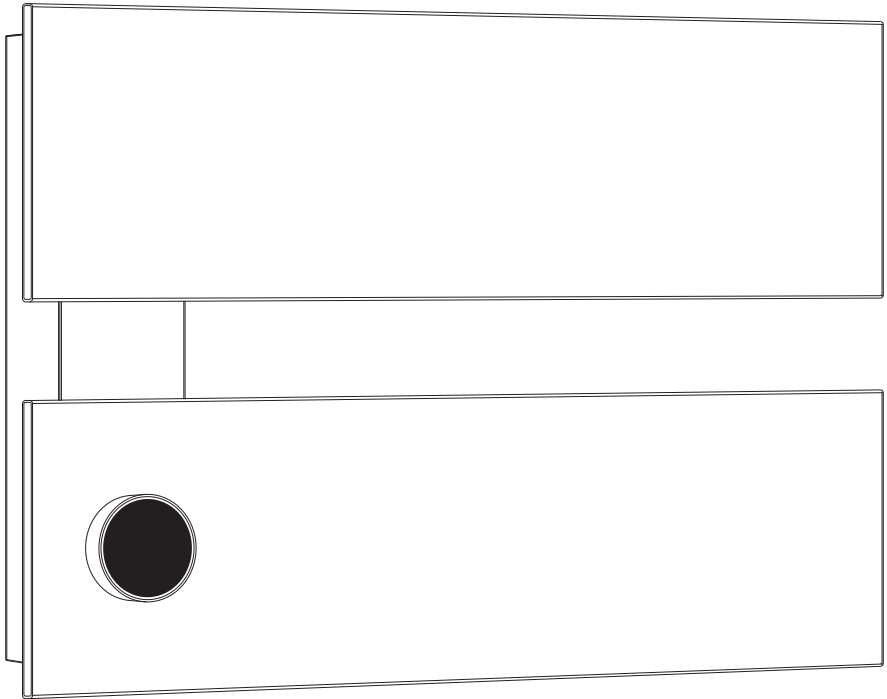


AREZZO

Electric Double Bar Towel Heater



Fitting Instructions

Please follow them carefully and
leave this manual with end user

Important Information

Before installation, please read this guide carefully.

1. **We recommend that this product is installed by a qualified tradesperson.** Victorian Plumbing Ltd. accept no liability for products incorrectly installed or any damage to the floor, walls, plumbing, towel heater, or personal injury during installation.
2. **Check the chosen wall space for any pipes/cables prior to drilling**
3. Observe all local building codes & regulations.
4. **Ensure the incoming mains power supply is switched off prior to commencing the installation.**
5. Unpack the product then read these instructions before proceeding. Inspect the product for damage. If any damage is found, contact our Customer Relations team.

! IMPORTANT SAFETY INFORMATION !

1. Never use a towel heater that shows any signs of damage.
2. Always connect the towel heater via a 240V fused spur switch.
3. **Children under the age of 3** should not be allowed within close proximity of the device without the supervision of an adult. The appliance should be installed so that the towel heater is at least 600mm above the floor.
4. Be aware, all metal surfaces are hot when the towel heater is switched on.
5. **This installation should only be installed by a qualified tradesperson** in accordance with the applicable regulations regarding safety and all other regulations.
6. All installations to which the device is connected should comply with regulations applicable in the country of installation and use.
7. Extensions leads or electric plug adapters should not be used to supply power to the heater.
8. Do not open the casing.
9. The device is intended for home use only.
10. **Before installing or removing the towel heater,** make sure it is fully isolated from the mains power supply.
11. Do not open the device. Any interference with the internal components will invalidate the warranty.
12. Regularly check the device for any damage to ensure it is safe to use.
13. The towel heater must be electrically isolated from the mains power supply during any maintenance.

Tools required for installation (not supplied):



Electrical
Tape



Drill



Spirit level



Screwdriver



Pencil



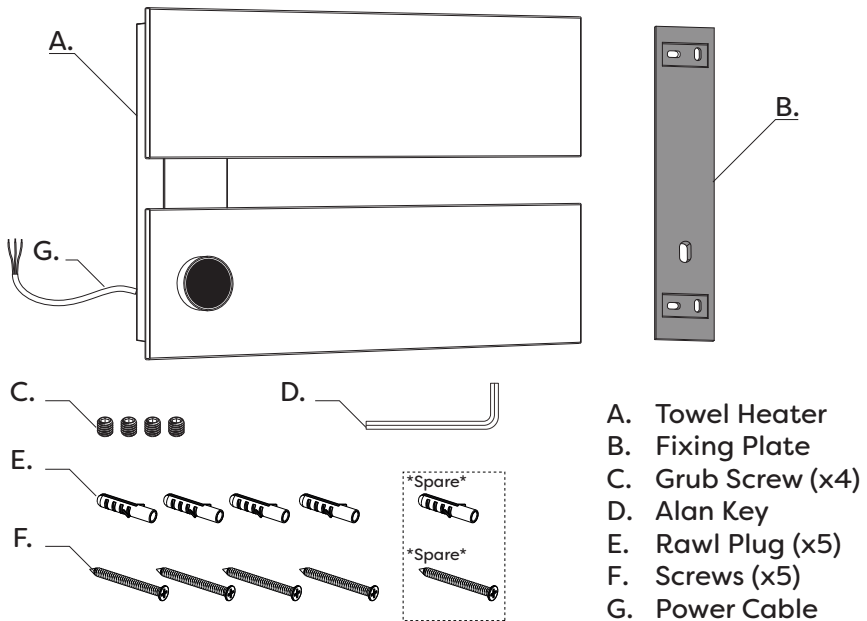
Gloves

***Ensure the appropriate PPE is used
during installation***

Technical Information:

Electric Supply	220V
Heating Output Available	140W
Device Protection Class	IPX4
Temperature Adjustment Range	5°C/25°C/40°C/50°C/60°C
Certification	<p>These products are in compliance with 2014/30/EU Electromagnetic Compatibility and 2014/35/EU Low Voltage Directive</p> <p>These products carry CE mark accordingly.</p>

Fitting List:



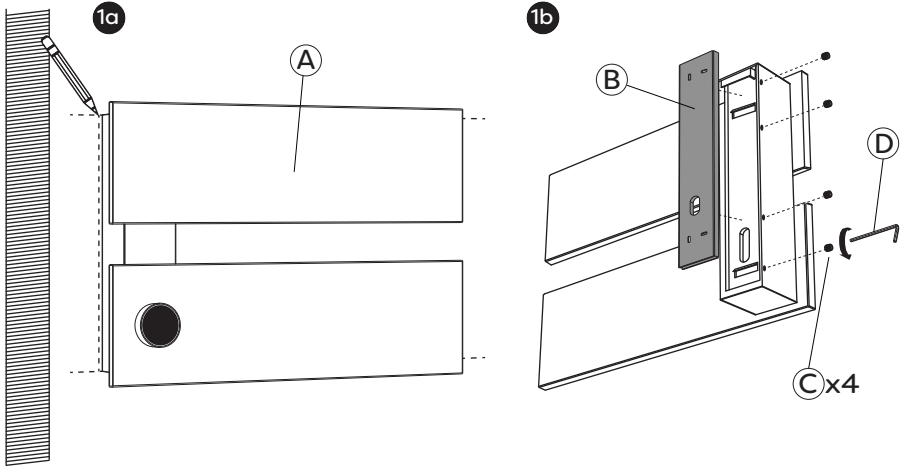
Diagrams are for illustration purposes only. Your Towel Heater may superficially differ from this drawing however the installation guide steps still apply.

Towel Heater Installation:

Diagrams are for illustration purposes only. Your Towel Heater may superficially differ from this drawing however the installation guide steps still apply.

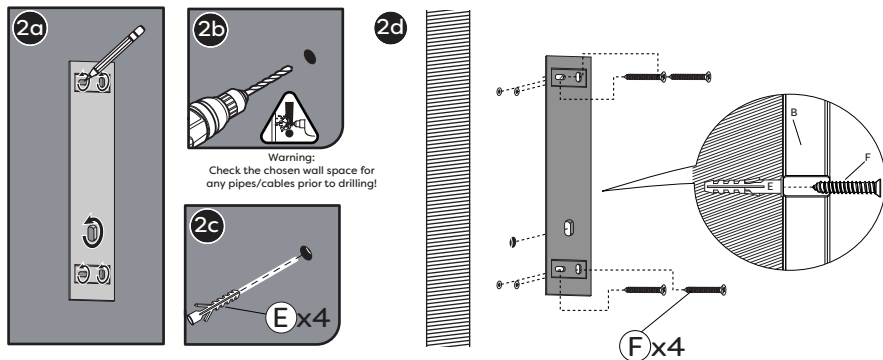
Step 1:

- Set the 'Towel Heater' (A) at the desired height, then make a mark across the top and bottom of the wall. Ensure the markings are level using a spirit level
- Remove the 'Fixing Plate' (B) from the 'Towel Heater' by unscrewing the 'Grub Screws' (C) on the side of the towel heater using the 'Alan Key' (D) provided.



Step 2:

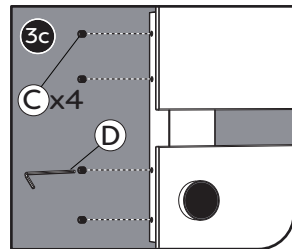
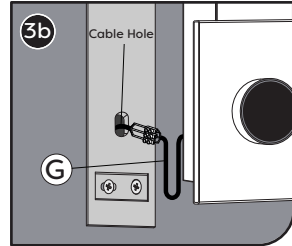
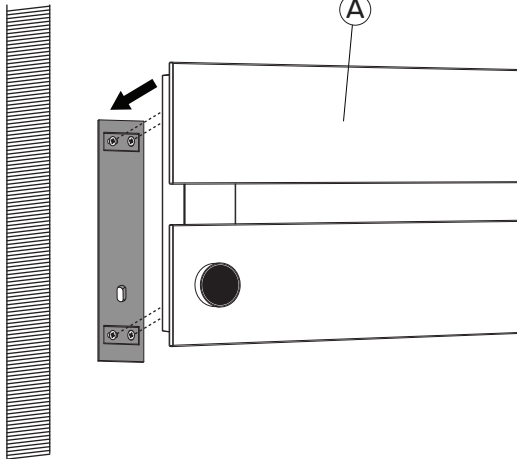
- Place the 'Fixing Plate' (B) over the markings and mark the holes in the wall ready for drilling. Using an appropriate sized drill bit, carefully drill the holes in the wall then insert the 'Rawl Plugs' (E). Using an appropriate sized drill bit, carefully drill a cable sized hole in centre to feed the 'Power Cable' (G) through.
- Place the 'Fixing Plate' over the drilled holes then using the 'Screws' (F) provided, secure the 'Fixing Plate' to the wall by screwing into the 'Rawl Plugs'.



Step 3:

- Mount the 'Towel Heater' (A) onto the 'Fixing Plate' (B) and feed the 'Power Cable' (G) through the pre-drilled cable hole in the wall. Secure the 'Towel Heater' into place by using the 'Grub Screws' (C) provided and tighten with an 'Alan Key' (D). Ensure the 'Towel Heater' is level using a spirit level.

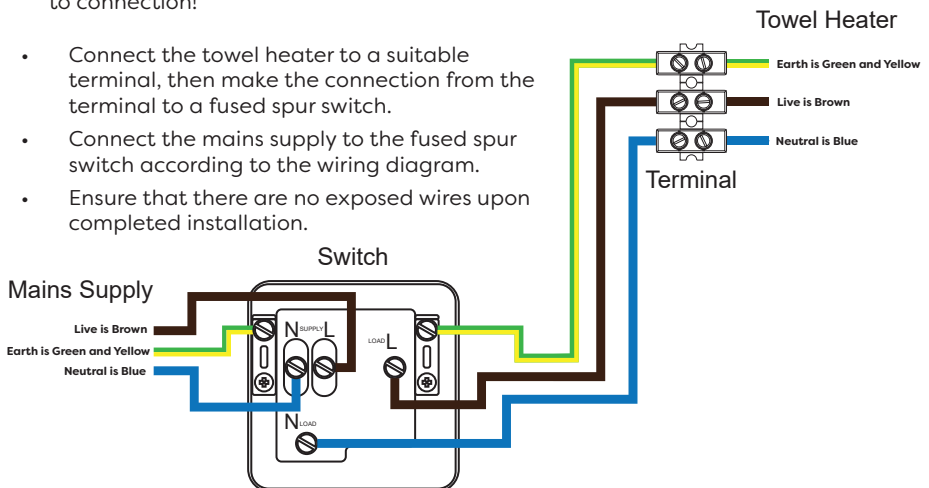
3a



Electrical Connection:

WARNING: Before you begin, ensure the mains power supply is switched off prior to connection!

- Connect the towel heater to a suitable terminal, then make the connection from the terminal to a fused spur switch.
- Connect the mains supply to the fused spur switch according to the wiring diagram.
- Ensure that there are no exposed wires upon completed installation.



Diagrams are for illustration purposes only. Your switch and terminal may superficially differ from this drawing. Refer to the instructions of your chosen switch and terminal for guidance if needed.

Instructions For Use:

1. Select the corresponding mode by rotating the outer frame of the dial of the heater.
2. You can control the towel radiator remotely by connecting it to your mobile phone or tablet through the app.



Operating Procedure:

- Short press for 1 second to power on the display interface.
- Press and hold for 2 seconds to shut down the system.
- If no operation is performed in any mode within 1 minute, the device enters standby mode. If there is no operation for 2 hours, the device display rests.
- On the mobile app, you can set up a DIY display to keep photos.



Exit Standby Interface:

- After entering standby mode the interface will display the lock screen. Short press once to unlock.

Temperature adjustment:

- Rotate to the corresponding mode (Defrost, Energy Saving, Soft Drying, Daily Drying, Sterilization). Short press once to confirm, the interface will display a small green dot “●” and will begin to operate.
- The corresponding modes can also be selected via remote app.



Defrost



Energy saving



Soft drying



Daily drying



Sterilization

(App Display)



Power on/Power off



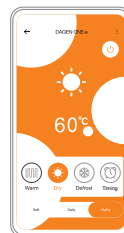
Energy saving mode



Soft drying



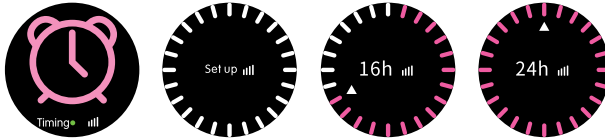
Daily drying



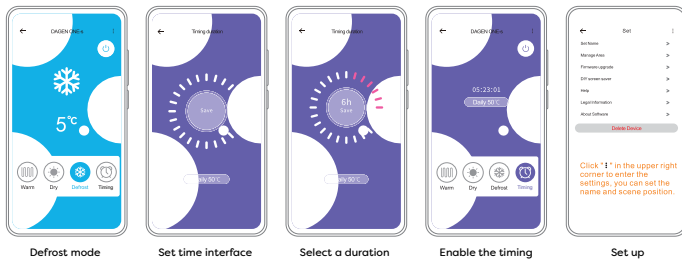
High temperature Sterilization

Set Time:

- Rotate the handle on the device to the “Timing” mode. Short press once to enter the setting.
- Set time operation is only performed at 50°C daily drying mode by default. Rotate the handle to set the time to a maximum of 24hrs. Short press once to start the timer countdown. After the device is restarted the timer function needs to be reset.
- The timing mode can also be selected via remote app.



(App Display)



Child Lock Setting:

- After turning on the display, rotate to the child lock interface. Short press once to activate the child lock, the rotation dial can't be adjusted.
- While the child lock is on, press the screen 2 times in succession to release the child lock and the rotation dial function can be used again.
- While the child lock is on, the interface displays the corresponding working status. After the child lock is removed the corresponding working interface is restored.



App Download:

Please follow the steps to download the app for remote use.

- Scan the QR code on the right, open the link and click "DOWNLOAD" on the website.
- For IOS go to the app store to download.
- Register to enter and you are done.



Bluetooth setting:



Bluetooth music, singing towel heater. (Both a stereo and a towel rack)

- Rotate the dial to the Bluetooth interface, press once to pair.
- Open the Bluetooth setting on your mobile phone at the same time, click on the corresponding device to pair.
- When the connection is successful, the interface shows a blue icon.
- After the device restarts, it automatically connects to the Bluetooth that has been successfully paired.

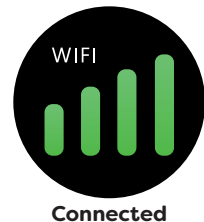


Note: Supports BT4.2, connect with mobile phone Bluetooth and play music without affecting other running functions.

Wi-Fi Setting:

- Rotate the dial to the Wi-Fi interface, press 2 times to display the small green dot "●", turn on the mobile phone at the same time. Connect the hotspot of the unit first, open the app to add the device then click search to enter the hot spot connection.
- When the Wi-Fi connection is successful the device displays a green icon.
- After the device restarts, it automatically connects to the hotspot that has been successfully paired.

Note: Supports 802.11b,g,n and mobile phones to connect to the same hotspot to achieve app control. The Wi-Fi connection can be configured within 3 minutes after the device starts up.

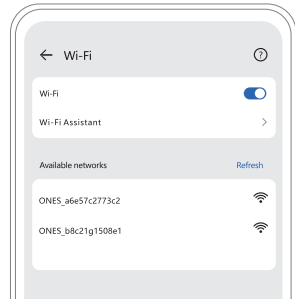


Device connection:

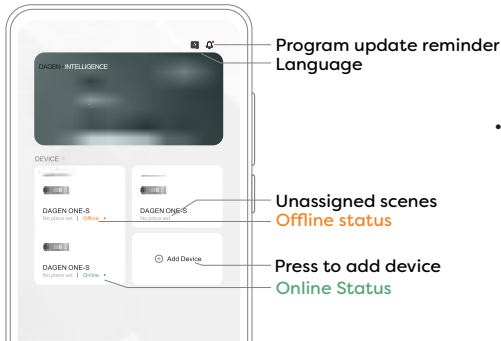
Step 1:

- To connect the network for the first time, click twice on the Wi-Fi interface and then turn on Wi-Fi to connect to your chosen hot spot.

Note: It is not necessary to double click the Wi-Fi on the device to add the second phone network connection. The steps of the network connection are the same the first.



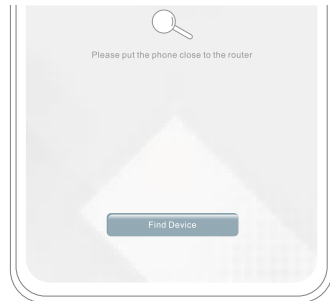
Step 2:



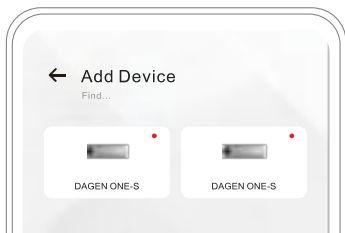
- Open the app on your mobile phone or tablet and press “Add Device”.

Step 3:

- Press “Find Device” to search for your chosen device.



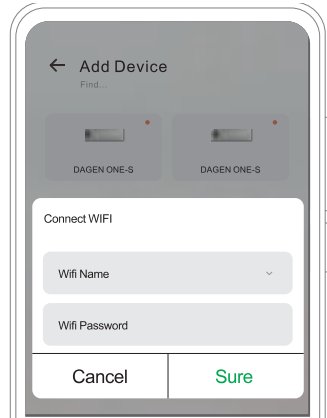
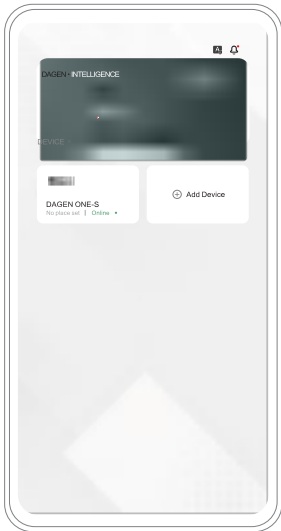
Step 4:



- Select the appropriate device.

Step 5:

- Select or enter the Wi-Fi hotspot name.
- Enter the hot spot password.
- Click “Sure”, the device will begin connecting to the Wi-Fi.

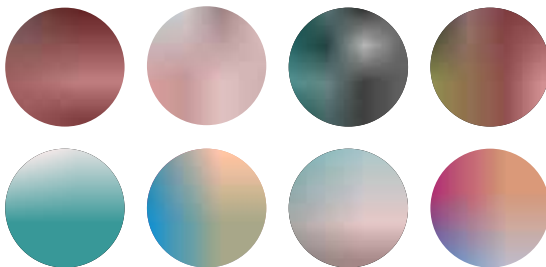


Finish:

The device is ready to use.

Screensaver setting:

- Open the app, go into settings “Settings-Background Settings”, you can then choose different background wallpapers.
- Alternatively you can add photos to create your own screensaver.
(Display specification: 32.4 x 32.4mm)



Product Disposal:

This product should not be disposed as general waste, but should be brought to the appropriate collection point for recycling of electric and electronic devices.

Information on the appropriate point for used devices can be provided by your local authority, product distributor or from where the product was purchased.

Trouble Shooting:

PROBLEM	ACTION
No response to touching the display.	Ensure the power supply is switched on. Check that the wires are fully connected to the switch.

Aftercare:

Always clean the surface of towel heater to keep it bright. **Attention:** please do not use inappropriate tools such as sharp brushes, rough sponges, scouring pads or corrosive detergent to clean the towel heater. Please clean the towel heater by wet cloth and soapy water after each time of usage. Then rinse the soap out with clean water and dry with a soft cotton cloth.

Notes:

www.victorianplumbing.co.uk