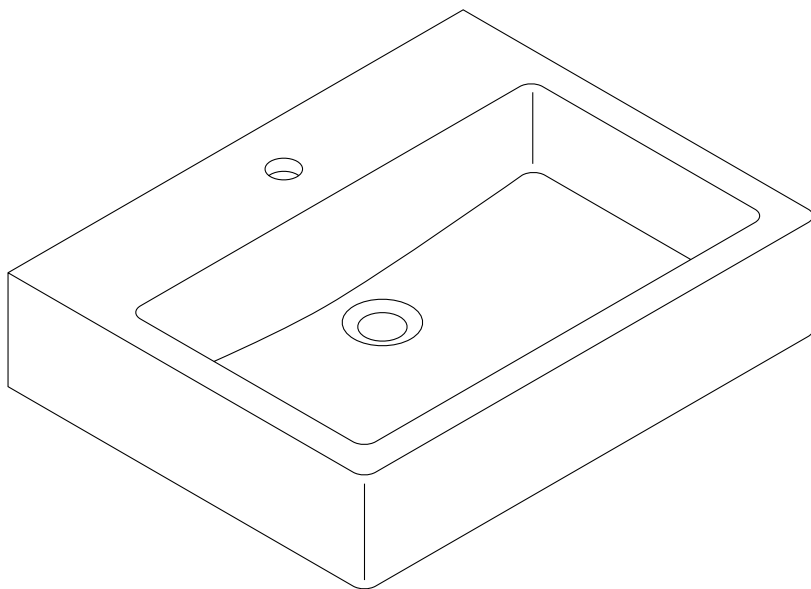


**AREZZO**

## **Installation Guide**

**Fixing A  
Washbasin To  
The Wall**



# AREZZO

## Installation Guide

### Fixing A Washbasin To The Wall

#### Pre Installation Notes

**This product is to be fitted by a qualified professional to British standard.**

Should any of your items have a defect, please do NOT install as returns will not be accepted once fitted. We advise that you use a qualified person to install your units, as any issues relating to poor fitting will not be accepted by the supplier.

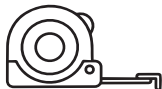
Basin units should be fitted as above. The basin should also be secured where applicable using Fischer bolts through the fixing points under the basin. (not supplied) Note that not all basins have this facility.

Wall Hung units must be secured back to the wall using the wall hanging brackets or suitable wall fixings when not supplied. Additional support is recommended using 'L' brackets (not supplied).

#### Tools Required



Pencil



Tape Measure



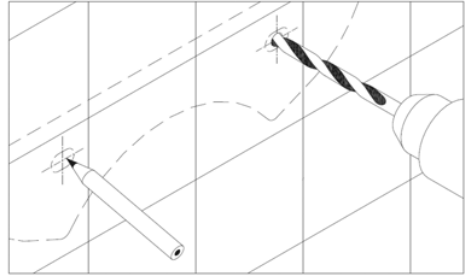
Power Drill



Spirit Level

## Step One

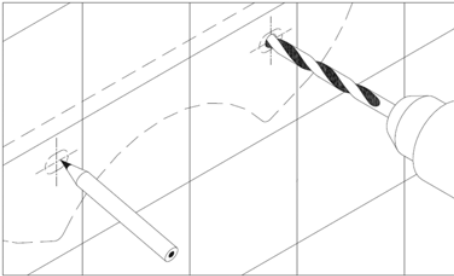
Use a pencil to mark the desired fixing location, using the holes in the washbasin as a guide.



## Step Two

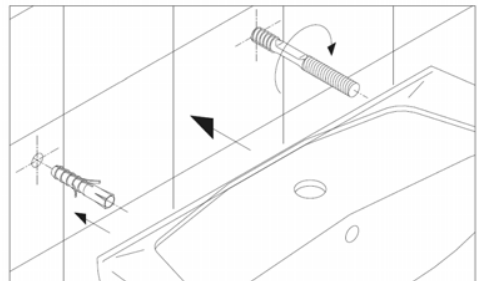
Check wall plug dimension and use corresponding bit size to drill as required, ensure the basin is true using the spirit level before drilling.

**Note:** Before drilling, ensure there are no hidden cables or pipes in the wall.



## Step Three

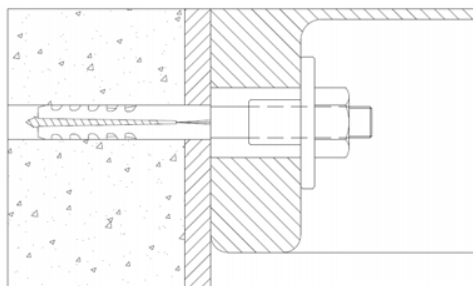
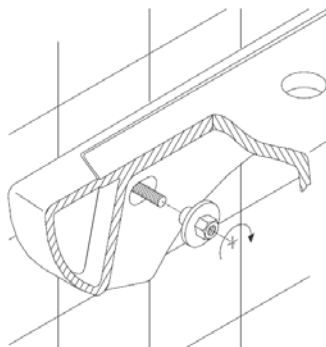
Insert plugs in to both holes.  
Fix bolts into plugs.



## Step Four

Hold the basin up to bolts and fit the nylon spacer and tighten nut.

**Note:** On some fixings the nut maybe incorporated into the spacer.



## Step Five

Secure basin to the wall.

# AREZZO