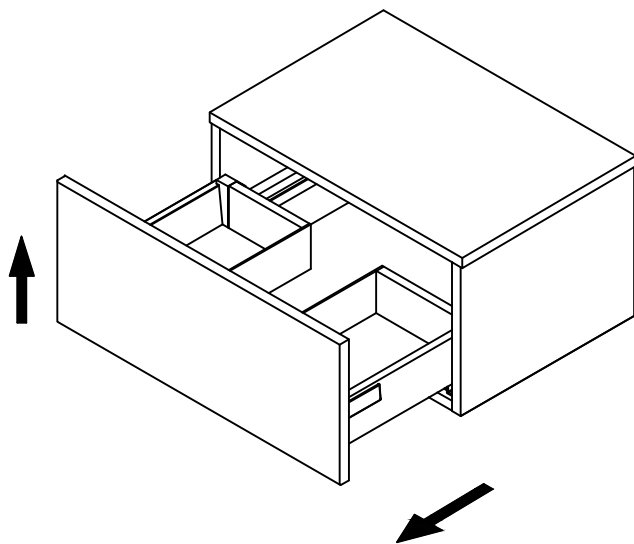


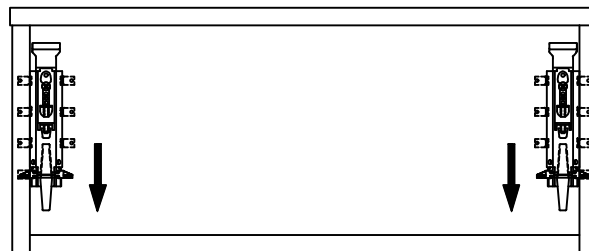
REMOVING DRAWER

Remove drawer from cabinet prior to fitting unit to the wall. Pull-out the drawer to it's full extension and gently lift the drawer box upwards until it disengages from the runner.



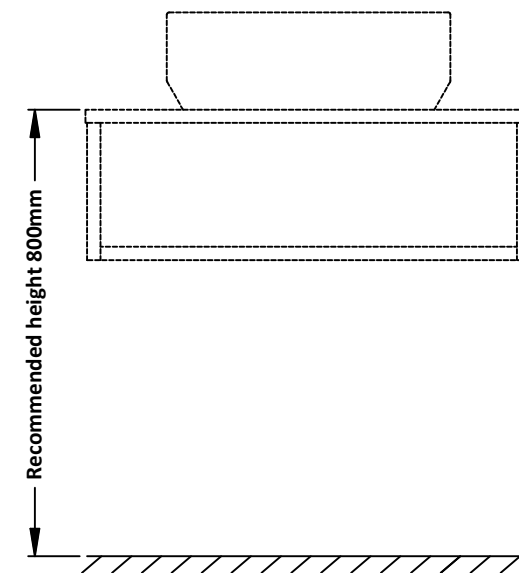
FIXING WALL HANGING BRACKETS

Fit the wall hanging brackets into pre-drilled holes at the back of the unit. Pull down the tab at the bottom of the bracket to lock into position, ensuring that the adjustment screws are facing the holes in the back panel.



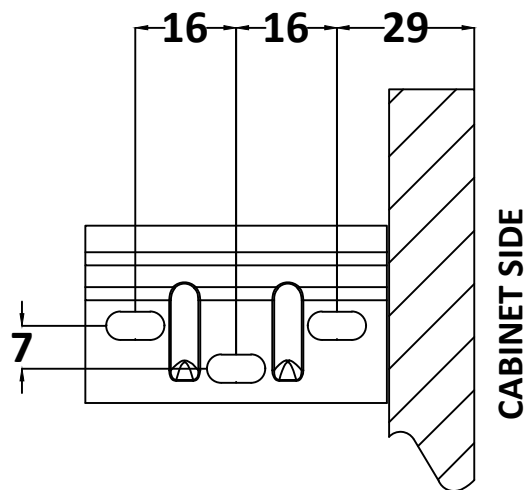
SETTING CABINET HEIGHT

Mark with a pencil the preferred height of the unit. Please take into account the type of vessel to be used.



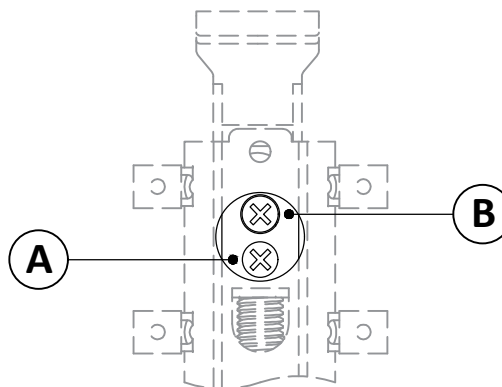
FIXING WALL HANGING PLATES

Fix Wall Hanging Plates as shown above. Check the type of wall you are fixing into and use suitable fixings (Not supplied).



CABINET ADJUSTMENT

You may need to lengthen the hook's protrusion. To do so, turn screw 'B' anti-clockwise. Tighten screw 'B' to fit the cabinet to the wall. You may need to make some fine adjustments once the cabinet is fitted. Turn screw 'A' clockwise for DOWN and anti-clockwise for UP.



RE-FIT DRAWER

To re-fit the drawer, fully extend the drawer runners and locate drawer box on to runners. Push the drawer box fully home until you here a 'click'. The drawer drawer should now be correctly located onto the runners.

