

GENERAL FITTING GUIDE - LED ROUND MIRRORS with STRAPS

ELECTRICAL SAFETY INFORMATION

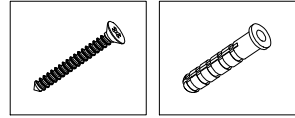
We recommend that all electrical bathroom products must be installed in accordance with current building and wiring regulations. If in doubt please contact an electrician. Before drilling ensure that there are no hidden cables or pipes in the wall.

Note: to ensure the normal use of this products, it is required to set out wires as per the regulations of IEE at the installation places.

The products are only to be installed indoors.

Incorrect installation may lead to product damage, personal injury and invalidate any guarantees.

FIXINGS (Not Supplied)



TOOLS REQUIRED



FIXING POINTS (Rear View)

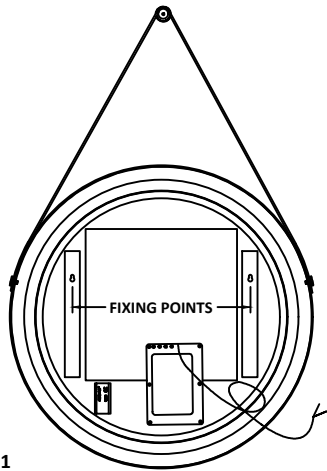


Fig 1

SECURING HANGING STRAP BOLTS

We recommend the first hole for the 600mm Mirror and the third hole for the 800mm Mirror. Note the strap is decorative only, and not to be solely used to hang the mirror.

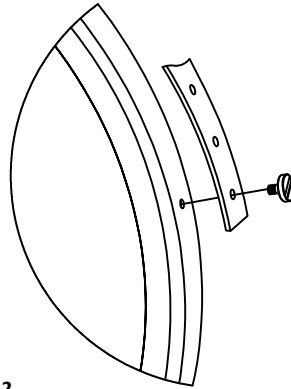


Fig 2

FIXING SUPPORT HOOK

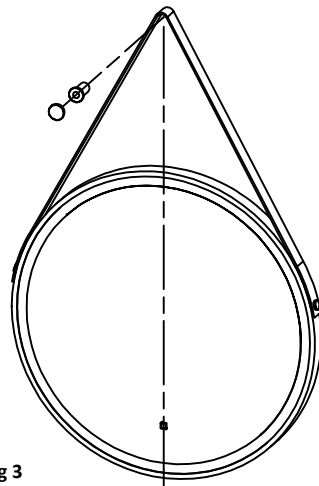


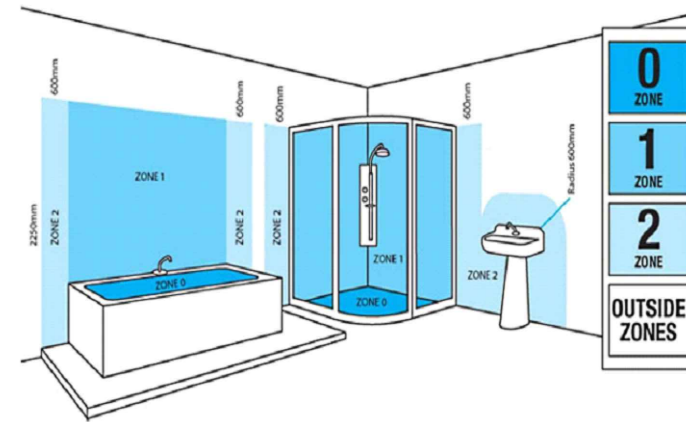
Fig 3

INSTALLATION

Note! It is recommended that this product is installed by two people.

- Carefully mark the position of the mirror using a soft pencil ensuring it is level. Remove the mirror and mark the mounting points, see Fig 1. Please ensure that all marked mounting points accurately match up with the fixing points on the mirror.
- Using a suitable depth drill bit, drill holes in the marked positions. If drilling through tile, use a ceramic drill bit.
- Insert wall plugs (not supplied) level with the surface of the wall. If fitting to a tiled surface, wall plugs should be inserted below the tile surface to avoid cracking. *NB. For plasterboard walls, specialist fixings should be purchased.* Use suitable screw fixing into wall plugs.
- Attach the decorative strap to the side of the mirror frame using the bolts provided, see Fig 2. *Please note this is not intended to be used as the weight bearing fixing.*
- With the mirror in position, carefully mark the position of the strap support hook using a soft pencil and ensuring the strap is taut and the hook is central to the mirror, see Fig 3.
- Remove the mirror from the wall.
- Again, using a suitable drill bit, drill holes in the marked position to a suitable depth and insert wall plug (not supplied).
- Position the strap support hook and fix in place with a suitable screw fixing (not supplied).
- Ensure the domestic electrical mains supply to which the mirror being connected is turned off. Connect the domestic mains supply to the terminal box according to the wiring diagram below.
- Hang the mirror into position and locate the strap over the hanging support hook. Switch the domestic electrical mains supply back on.

ELECTRICAL INFORMATION



All installations must comply with guidelines which are based on a zonal concept and must be followed to ensure the safe installation of electrical appliances in the bathroom.

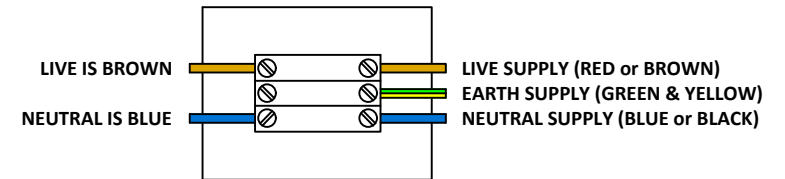
These regulations apply to domestic installations only. Installations must be made in accordance with the current IEE wiring regulations and relevant building regulations.

This product is IP44 rated and is suitable for installation in ZONE 2 and Outside Zone

WIRING DIAGRAM

MIRROR

MAINS SUPPLY



OPERATION

To switch ON/OFF, touch the mirror sensor (Fig 4). Hold the sensor until the desired colour is obtained. The light brightness is then set until changed again. The de-mister pad will activate when the mirror is ON.

AFTERCARE

To preserve the high quality finish of your product, please ensure you regard the following care and cleaning recommendations: Use only a soft damp cloth. Use only a soft damp cloth.

Fig 4

