

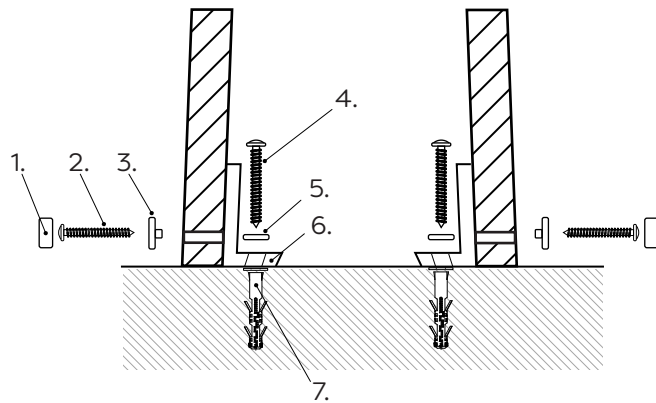
# AREZZO

## WC Pan Floor Fixing Kit

### Before you Begin:

- This instruction shows how to fit the Pan Floor Fixing Kit. Ensure the correct kit is being used in conjunction with your chosen WC Pan.
- **We recommend that this product is installed by a qualified tradesperson,** Victorian Plumbing Ltd. accept no liability for products incorrectly installed, or where the correct testing procedures have not been adhered to, thus resulting in the escape of water and consequential damage.
- Ensure the incoming mains water supply is switched off prior to commencing the installation.
- Observe all local plumbing and building codes & regulations.
- Unpack the product then read these instructions before proceeding. Inspect the product for damage. If any damage is found, contact our Customer Relations team.

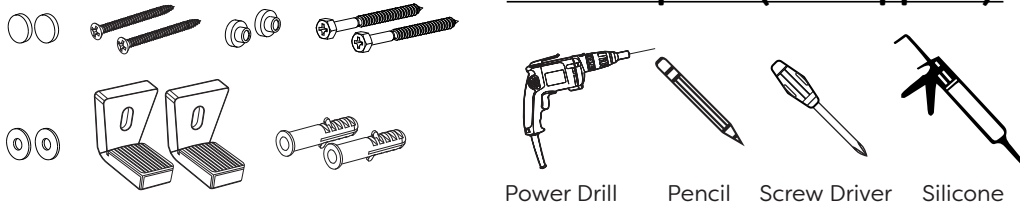
**1** \*Make sure that all components are present prior to installation.\*



### Fitting List:

1. Cover cap (x2)
2. Bracket to pan fixing screw (x2)
3. Screw mount (x2)
4. Floor fixing screw (x2)
5. Washers (x2)
6. Floor fixing kit (x2)
7. Rawl plug (x2)

### Tools Required (Not Supplied):



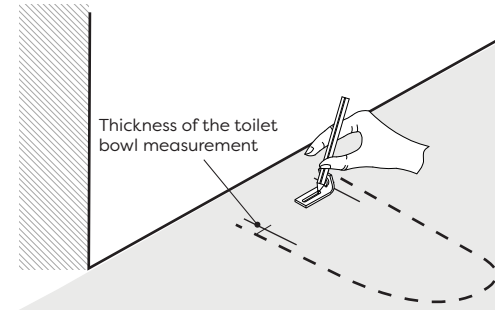
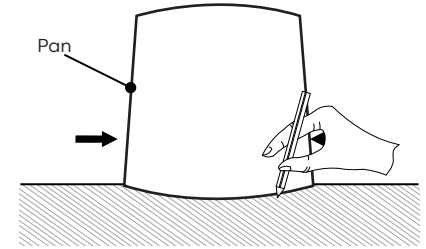
**Note:** Diagrams are for illustration purposes only. Your Floor Fixing Kit may superficially differ from this drawing however the installation guide steps still apply.

### Recycling and Disposal:

- Please recycle the packaging in accordance with your local government regulations on waste handling and follow the same advice at the end of the products life.

**2**

Ensure that the toilet pan is level and fully backed against the wall. Mark on the outer edge of the pan (on both sides) a line with each fixing hole located in the side wall of the toilet pan.



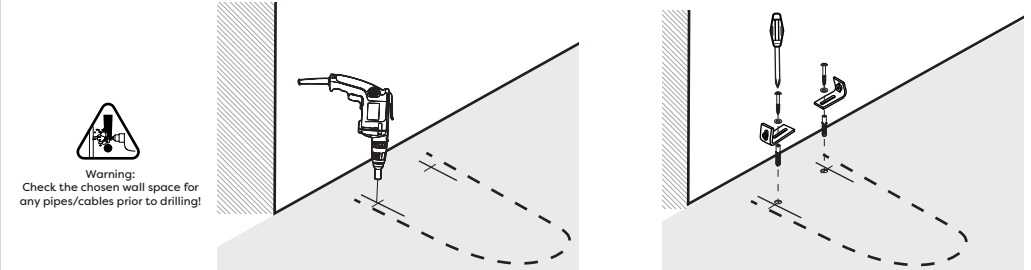
Remove the pan from the location. Then measure the thickness of the toilet side wall and make another mark inwards from the original mark and in line with the fixing hole. Repeat on the other side.

Place the front edge of the bracket on the inside mark, then mark the screw hole position to secure the bracket to the floor. Repeat this on the other side.

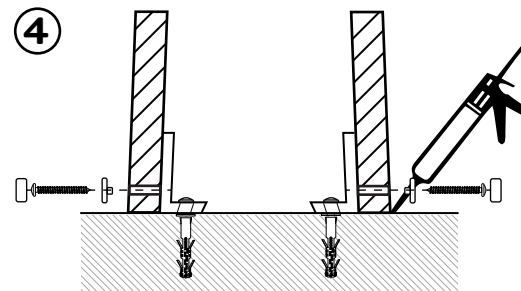
**3**

Remove the brackets and carefully drill the holes, ensuring that no pipes or cables can be damaged.

Insert the rawl plugs into the pre drilled holes if you are fitting into a solid floor. Then place the brackets over the drilled holes/plugs and insert the washers and screws through the brackets and secure into position.



**4**



Secure the toilet pan into position using the fixings provided. Finish by pushing on the screw covers.

Once installation is completed, apply a small bead of good quality silicone around the bottom edge of the toilet pan. Allow 24 hours for the sealant to fully dry.

### Cleaning and Aftercare:

- **Warning:** Do not use abrasives, scourers, bleach or any type of chemical cleaning solution when cleaning the fixing kit caps. It is recommended to use warm soapy water and a clean damp cloth.

For more information visit: [www.victorianplumbing.co.uk](http://www.victorianplumbing.co.uk)