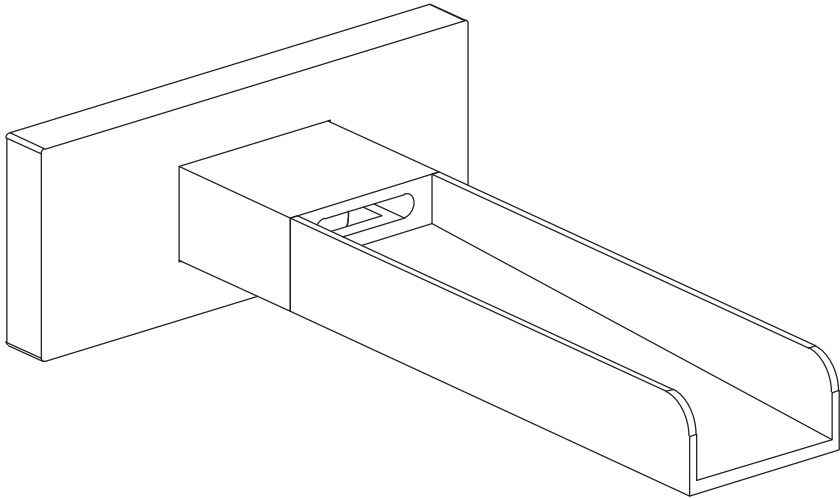




Wall Mounted Waterfall Basin/Bath Spout



Fitting Instructions

Please follow them carefully and
leave this manual with end user

Installation Guide

Before installation, please read this guide carefully.

1. We recommend that this product is installed by a qualified accredited tradesperson, Victorian Plumbing Ltd. accept no liability for products incorrectly installed, or where the correct testing procedures have not been adhered to, thus resulting in the escape of water and consequential damage.
2. Observe all local plumbing and building codes & regulations.
3. The pipes and the fixture must be installed, flushed and tested as per the applicable standards.
4. Carefully inspect the product for damage. If any damage is found, immediately contact our Customer Relations Team.

