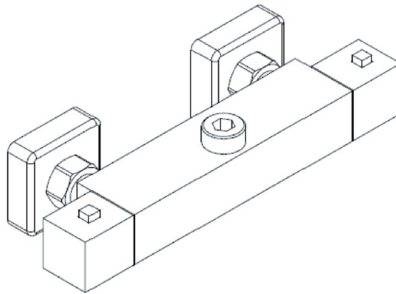
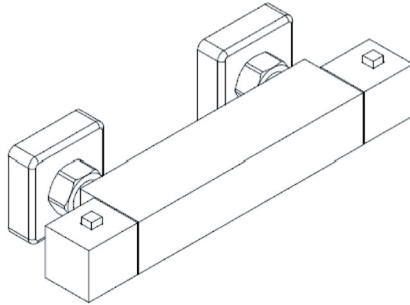


# AREZZO

## Square Thermostatic Shower Bar Valve



## Fitting Instructions

Please follow them carefully and  
leave this manual with end user

## Before you begin:

1. **We recommend that this product is installed by a qualified tradesperson**, Victorian Plumbing Ltd. accept no liability for products incorrectly installed, or where the correct testing procedures have not been adhered to, thus resulting in the escape of water and consequential damage.
2. Ensure the incoming mains water supply is switched off prior to commencing the installation.
3. Observe all local plumbing and building codes & regulations.
4. Unpack the product then read these instructions before proceeding. Inspect the product for damage. If any damage is found, contact our Customer Relations team.

## Installation:

1. This mixer will operate best if the pressure of the water (Hot & Cold) is balanced.
2. It is suitable for: unvented systems, combination boilers, pumped & mega-flow system and vented systems (if the pressure is equal).
3. Pipes must be flushed throughout, failure to do so will impair the flow of the water.
4. Ensure that the pipe-works are as parallel as possible with 150mm centre to centre distance.
5. When connecting the water supply make sure that the pipes are connected in accordance with the colour coding: Hot & Cold water must be fitted in line with the red dot at the left of the mixer.
6. It is required that isolation valves are fitted as close as possible to the water inlet supply of the thermostatic mixing valve.

## Operation Notice:

1. The work condition for use of this product is cold water 4-29°C, hot water 55-85°C and water pressure 0.5bar - 5bar. To avoid the differential pressure between hot water and cold water, the thermostatic cartridge is preferably under the condition of water pressure 3 bar, hot water 65°C and cold water 15°C.
2. Make sure the shower valve is off when no water comes out of it (especially when nobody resides in the house or during the period of decoration or the absence of water).
3. When the room temperature drops below 0°C, take necessary measures (such as keeping shower valve warm and closing windows) to prevent the shower valve from being frozen or even broken (especially when windows kept open for air ventilation while nobody resides in).
4. Do not disassemble the valve unless you are an expert.

## Maintenance:

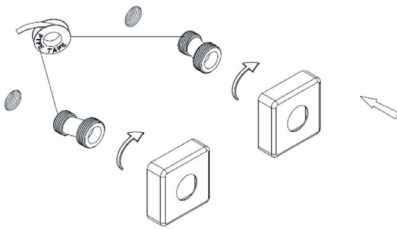
If the water flow is less than normal and temperature control is imprecise after a period of usage. It is often due to the poor water which blocks the small filter net. The cleaning method: First, turn off the main valve, unscrew the securing nut with an allen key making sure not to damage the O-rings. Clean/Replace check valve filters and refit. Dirt in the water will slow down or stop the flow of water.

## Aftercare:

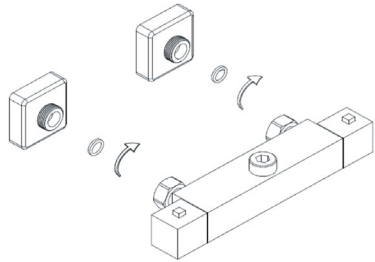
Always clean the surface of shower valve to keep it bright. **Attention:** please do not use inappropriate tools such as sharp brushes, rough sponges, scouring pads or corrosive detergent to clean the shower valve. Please clean the shower valve by wet cloth and soapy water after each time of usage. Then rinse the soap out with clean water and dry with a soft cotton cloth.

Diagram:

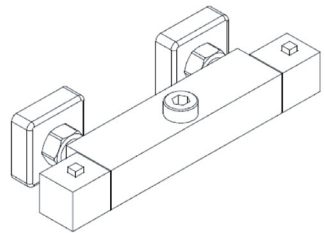
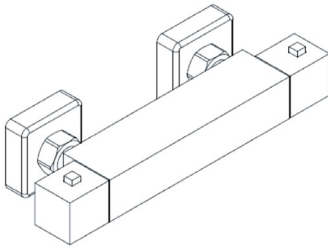
1



2



3



# Troubleshooting

<b>FAULT</b>	<b>POSSIBLE CAUSE</b>
Shower only runs hot or cold after installation	<ol style="list-style-type: none"><li>1. Hot and cold supplies have been plumbed the wrong direction.</li><li>2. Faulty thermostat.</li><li>3. Insufficient water pressure.</li></ol>
Shower does not run hot enough	<ol style="list-style-type: none"><li>1. Check the hot water supply temperature.</li><li>2. Maximum temperature needs adjusting, see temperature adjustment.</li><li>3. Blockage in the hot supply.</li></ol>
Hot water in cold supply or vice versa	<ol style="list-style-type: none"><li>1. Check and clean non-return valves.</li><li>2. Check Hot and Cold supplies have not been reversed during installation.</li></ol>
Low or no flow	<ol style="list-style-type: none"><li>1. Possible blockage/debris in the system.</li><li>2. Operating conditions are incorrect.</li><li>3. Valve shut off has been activated due to a pressure drop in either the cold or hot supplies.</li></ol>
Leaking when in the off position	<ol style="list-style-type: none"><li>1. Debris in the flow control cartridge.</li><li>2. Faulty control cartridge.</li></ol>
Fluctuating flow	<ol style="list-style-type: none"><li>1. Dynamic inlet pressure are not balanced.</li></ol>