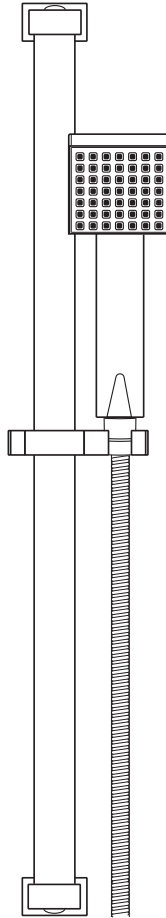


AREZZO

Square Slide Rail Kit with Shower Handset



Fitting Instructions

Please follow them carefully and
leave this manual with end user

Installation Guide

Before you begin:

1. **We recommend that this product is installed by a qualified tradesperson**, Victorian Plumbing Ltd. accept no liability for products incorrectly installed, or where the correct testing procedures have not been adhered to, thus resulting in the escape of water and consequential damage.
2. Ensure the incoming mains water supply is switched off prior to commencing the installation.
3. Observe all local plumbing and building codes & regulations.
4. Unpack the product then read these instructions before proceeding. Inspect the product for damage. If any damage is found, contact our Customer Relations team.

Installation:

1. Identify all components are present prior to installation.
2. Install handset holder (2) onto the riser rail (1). Please be aware that the handset holder (2) can move up and down the rail.
3. Place the two fixed bases (3) onto either end of the riser rail (1), see Figure 1.
4. Measure the reserved space for the shower kit.
5. Remove the covers on the fixed bases (3) and position the riser rail (1) and fixed bases (3) on the wall at the desired height. Mark the screw holes with a pencil.
6. Using an appropriately sized drill bit, drill the marked holes and insert the wall plugs (7) into the holes.
7. Place riser rail (1) and fixed bases (3) over the drilled holes, insert screws (6) and tighten, see Figure 2.
8. Re-attach fixed base covers (3).
9. Connect the Shower hose (5) and shower handset (4) together using the G1/2" thread.
10. Turn on the mains water supply, check all joints and connections for leaks.
11. The handset holder can now be moved to the desired height.

Attention: The working pressure of this product is between 1.0 - 8.0 bar

Aftercare:

Always clean the surface of shower kit to keep it bright. **Attention:** please do not use inappropriate tools such as sharp brushes, rough sponges, scouring pads or corrosive detergent to clean the shower kit. Please clean the shower kit by wet cloth and soapy water after each time of usage. Then rinse the soap out with clean water and dry with a soft cotton cloth.

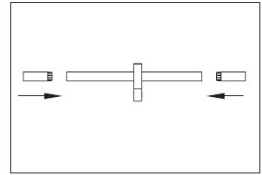
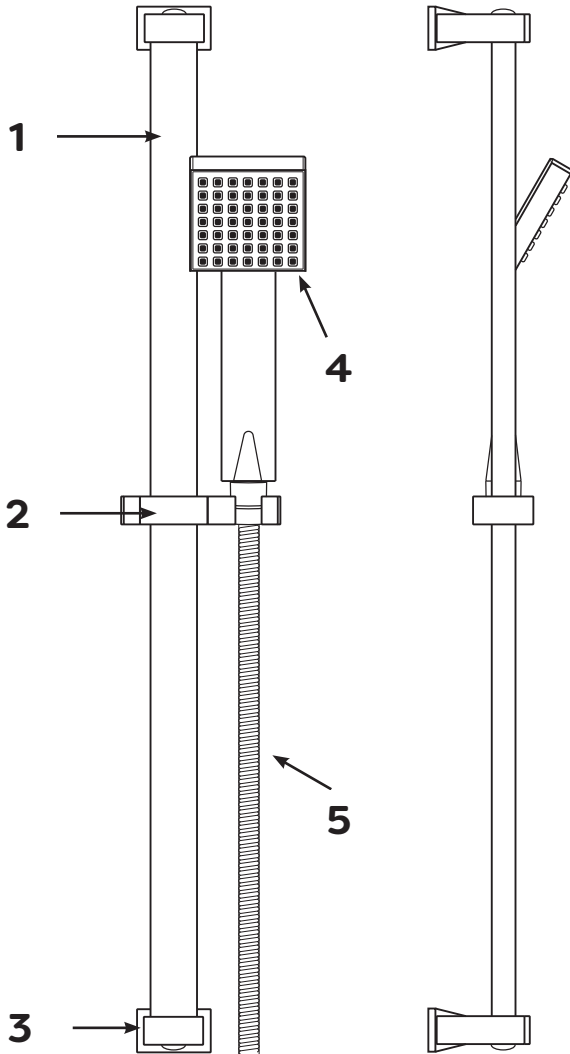


Figure 1

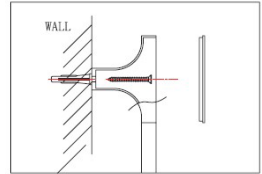
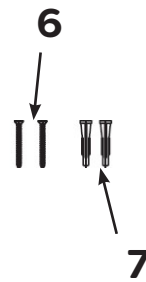
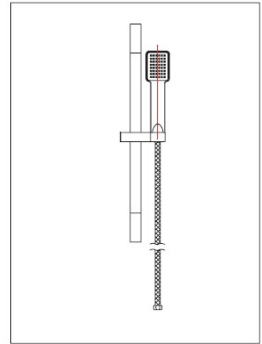


Figure 2



- | | |
|-------------------|---------------------|
| 1. Riser Rail | 5. 1.5m Shower Hose |
| 2. Handset Holder | 6. Screw |
| 3. Fixed Bases | 7. Screw Wall Plug |
| 4. Shower Handset | |

www.victorianplumbing.co.uk