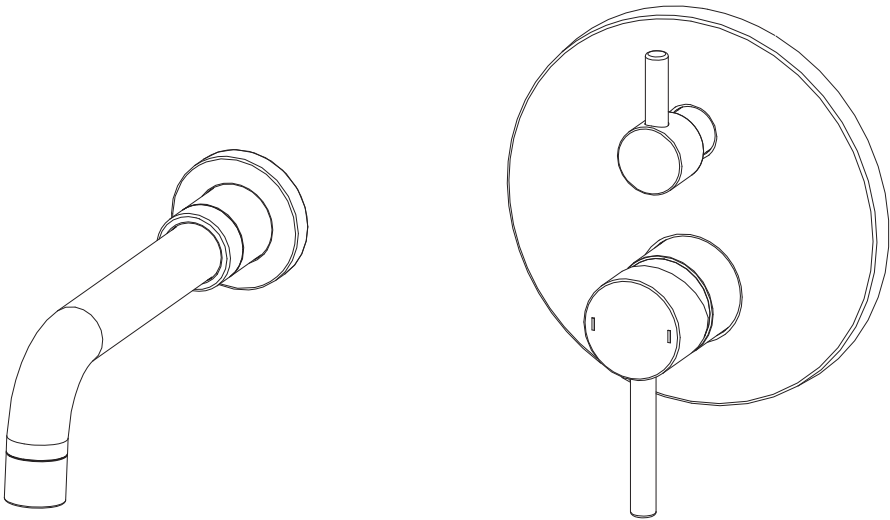




Concealed Bath/ Shower Mixer



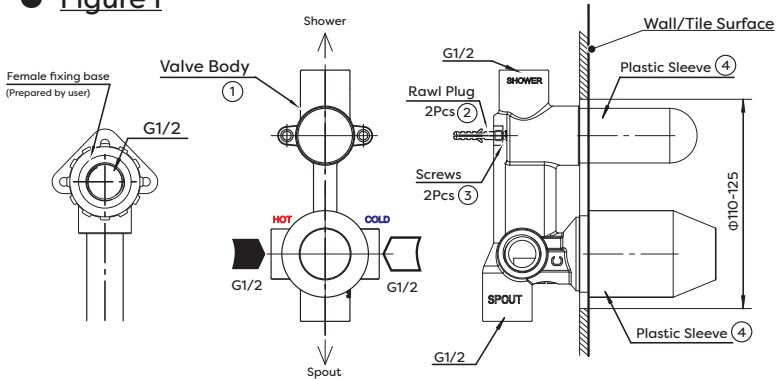
Fitting Instructions

Please follow them carefully and
leave this manual with end user

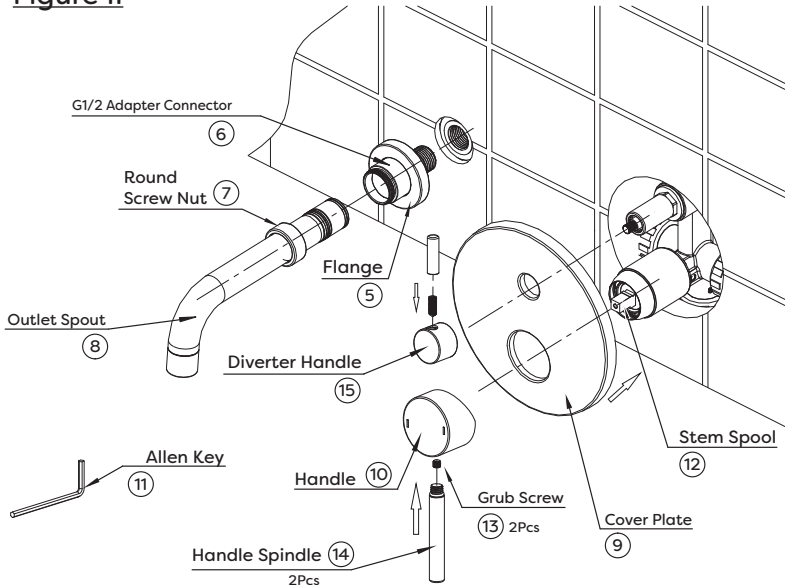
Before you begin:

1. **We recommend that this product is installed by a qualified tradesperson.** Victorian Plumbing Ltd. accept no liability for products incorrectly installed, or where the correct testing procedures have not been adhered to, thus resulting in the escape of water and consequential damage.
2. Ensure the incoming mains water supply is switched off prior to commencing the installation.
3. Observe all local plumbing and building codes & regulations.
4. Unpack the product then read these instructions before proceeding. Inspect the product for damage. If any damage is found, contact our Customer Relations team.

● Figure 1



● Figure 2



Diagrams are for illustration purposes only. Your concealed mixer valve may superficially differ from this drawing however the installation guide steps still apply.

Installation:

1. Determine the fixing position for the valve and make a recess in the wall to house the valve (1). The depth of the recess should be 80mm to 100mm within the finished wall surface to fit the flanges and cover plate correctly.
2. Insert the valve (1) into the wall recess, then mark the fixing points with the mounting lugs that are cast on the valve body. Pull the valve out and drill suitable depth holes at the marked positions. Use the supplied rawl plugs (2) and screws (3) to secure the valve.
3. Now that the valve body is securely mounted to the wall (prior to installation and connecting) make sure that the pipes are thoroughly flushed to remove any debris etc. (failure to do this will impair the flow of the water).
4. The Plumbing connections should then be made to the hot and cold inlets which are clearly marked (see Fig. 1). The hot water inlet is to be connected with the hot supply on the left of the valve and the cold water inlet is to be connected to the cold supply on the right of the valve. Make sure that they are correctly connected, otherwise the thermostatic cartridge will lose it's function of controlling the temperature and may scald.
5. The plumbing connections on the inlets are 1/2" BSP female thread. It is recommended to apply PTFE tape to all thread connections to ensure a water tight seal.
6. Remove the plastic sleeves (4) turn on the water supply to ensure that there are no leakages. Turn the water supply back off, refit the plastic sleeves, and prepare the wall surface.
7. As shown in Fig.2, unscrew the round screw nut (7), then pull out the water outlet spout (8). Wrap PTFE tape to the G1/2" thread of the adapter connector (6), then screw the adaptor connector to the G1/2" female thread outlet of the female fixing base.
8. Fit the flange (5), control handle (10), diverter handle (15), and outlet spout (8) to the valve using the screws and Allen Key provided (11). Be careful not to overtighten. (See below "Fitting the handle and Spout")
9. Turn on the water supply, check all the joints and connections for any leakage.

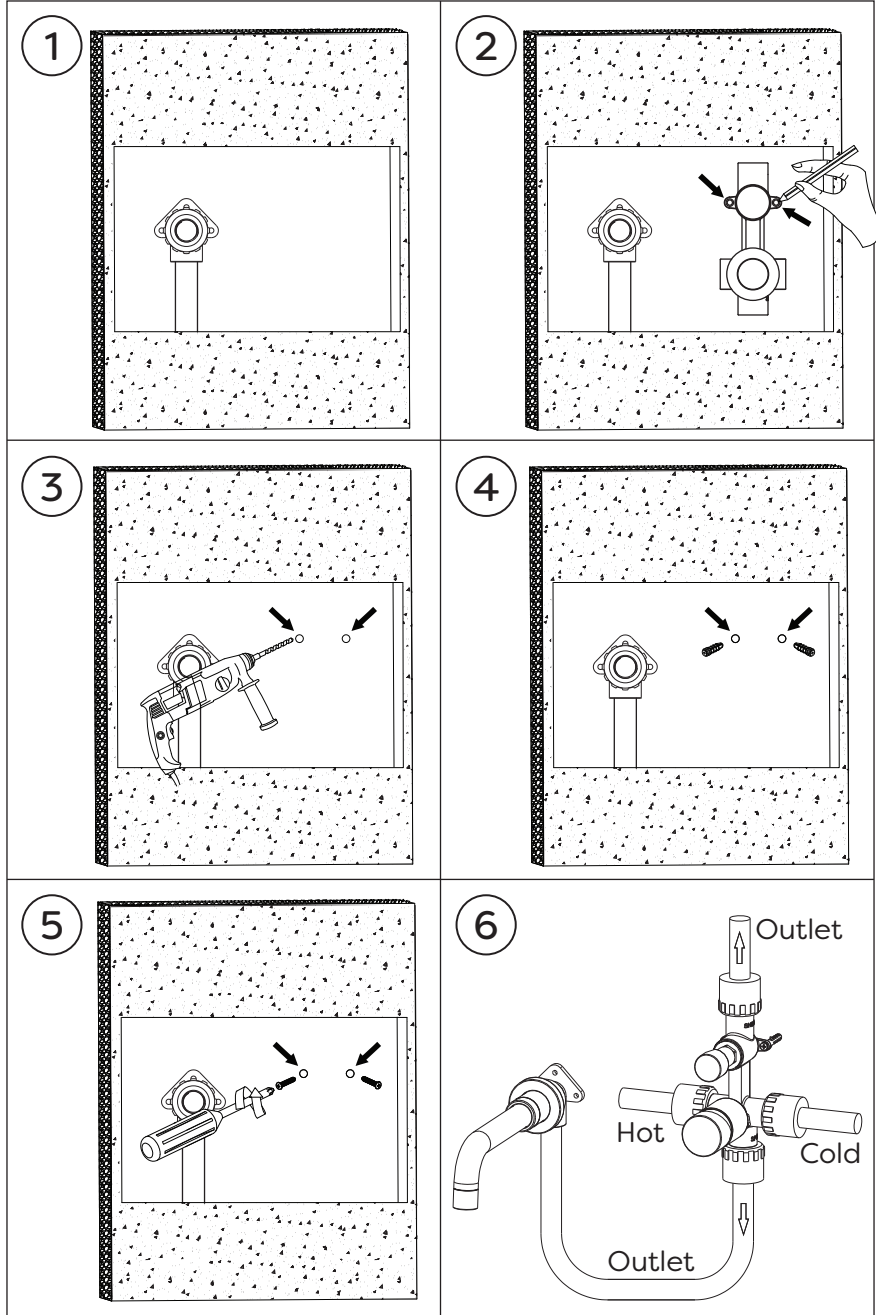
Fitting the Handles and Spout:

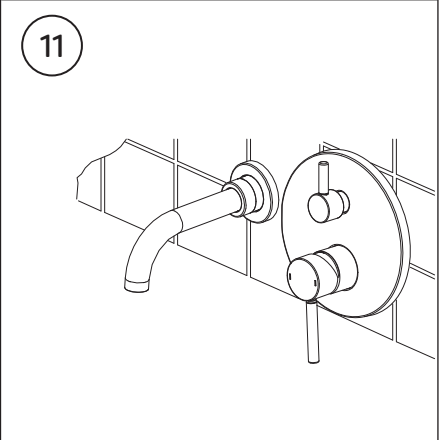
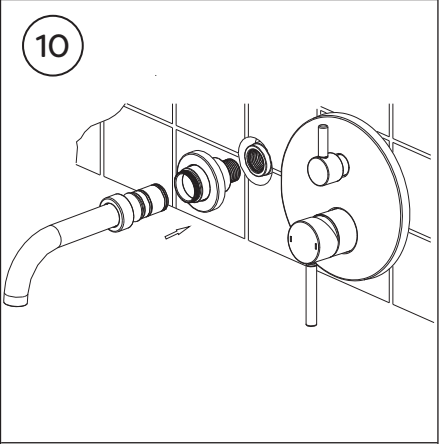
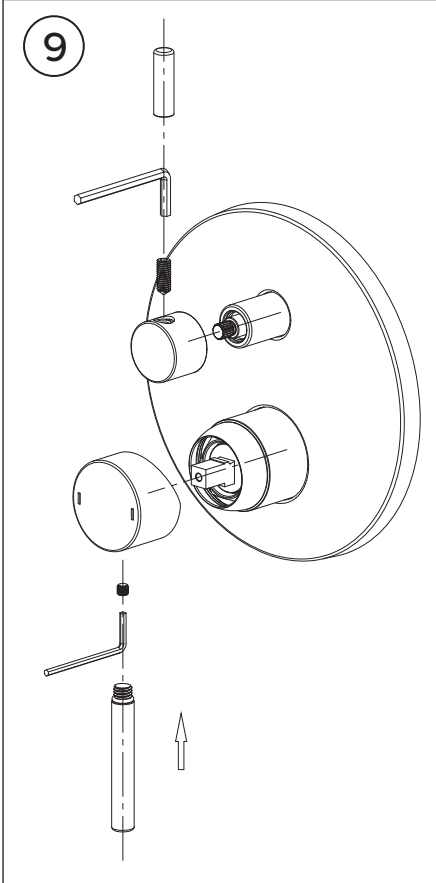
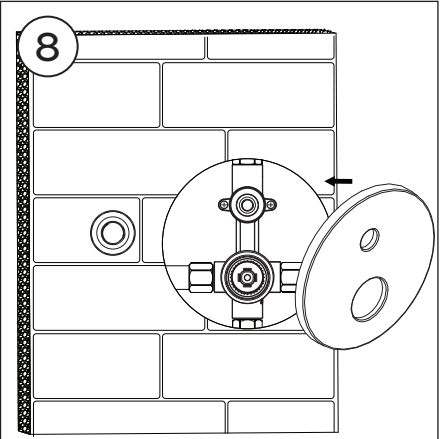
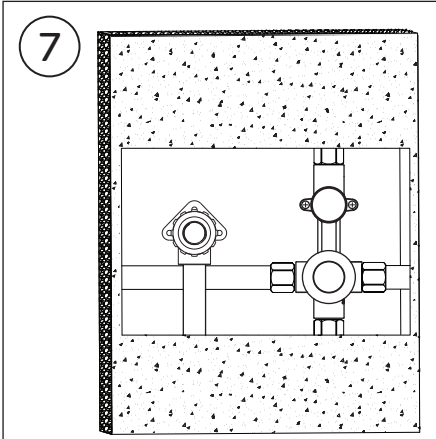
1. Insert the outlet spout (8) to the inner hole of connector (6), then use the round screw nut (7) to fix the outlet spout (8). (Ensure that the outlet spout is inserted in place.)
2. Unscrew the handle spindle (14), loosen the grub screw (13) with the Allen key provided (11), then place the handle (10) on the stem pool (12). Tighten the grub screw with the Allen Key to fix the handle. (Pay attention to the direction of the handle.) Screw the handle spindle back on the handle. Repeat this task for the diverter handle (15).

Operation Notice:

1. The work condition for use of this product is cold water 4-29°C, hot water 55-85°C and water pressure 0.5 bar - 5 bar. To avoid the differential pressure between hot water and cold water, the thermostatic cartridge is preferably under the condition of water pressure 3 bar, hot water 65°C and cold water 15°C .
2. Ensure that the tap is in the off position during periods of non-use.
3. Take measures to ensure the tap is not subjected to temperatures below 0°C freezing.
4. It is recommended that a qualified tradesperson should disassemble this valve.

Diagram:

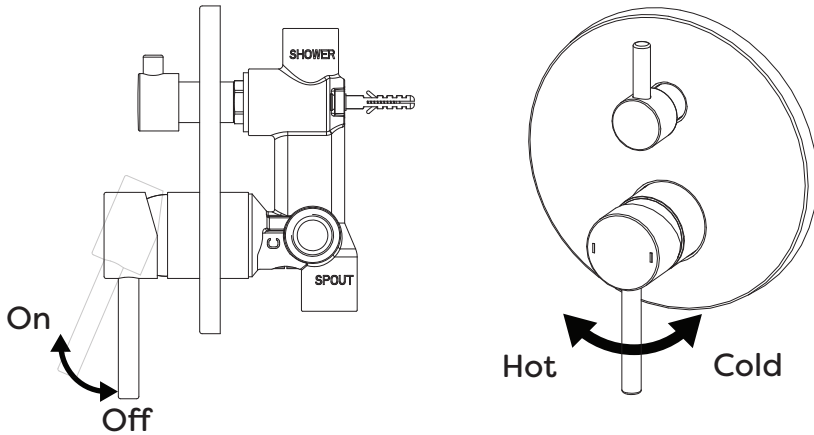




Diagrams are for illustration purposes only. Your concealed mixer valve may superficially differ from this drawing however the installation guide steps still apply.

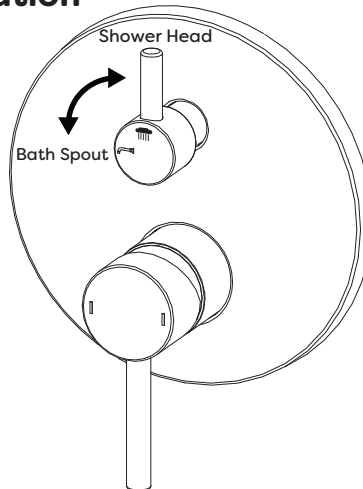
Operation:

Flow Control



Ensure that the control handles are positioned correctly to avoid obstruction.

Diverter Operation



Aftercare:

Always clean the surface of concealed mixer valve to keep it bright. **Attention:** please do not use inappropriate tools such as sharp brushes, rough sponges, scouring pads or corrosive detergent to clean the concealed mixer valve. Please clean the concealed mixer valve by wet cloth and soapy water after each time of usage. Then rinse the soap out with clean water and dry with a soft cotton cloth.

Troubleshooting

FAULT	POSSIBLE CAUSE
Shower/Tap only runs hot or cold after installation	<ol style="list-style-type: none">1. Hot and cold supplies have been plumbed the wrong direction.2. Faulty thermostat.3. Insufficient water pressure.
Shower/Tap does not run hot enough	<ol style="list-style-type: none">1. Check the hot water supply temperature.2. Blockage in the hot supply.
Hot water in cold supply or vice versa	<ol style="list-style-type: none">1. Check and clean non-return valves.2. Check Hot and Cold supplies have not been reversed during installation.
Low or no flow	<ol style="list-style-type: none">1. Possible blockage/debris in the system.2. Operating conditions are incorrect.
Leaking when in the off position	<ol style="list-style-type: none">1. Debris in the flow control cartridge.2. Faulty control cartridge.

Notes:

