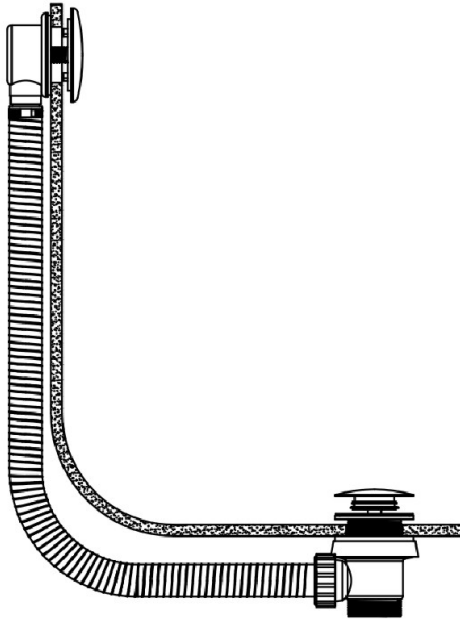


BRUSHED BRASS EASY CLEAN CLICK- CLACK BATH WASTE + OVERFLOW BB-EC-BTHW



INSTALLATION INSTRUCTIONS

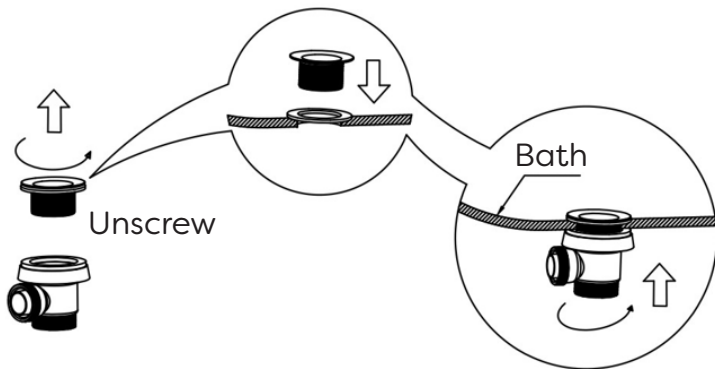
Please follow these care instructions to ensure your product retains it's high quality finish and please retain this leaflet for future reference.

Installation

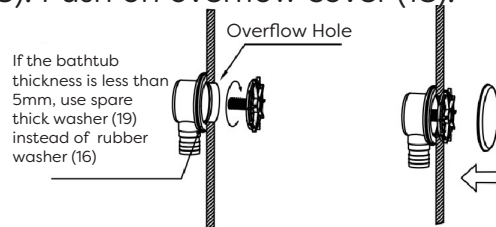
1. Remove waste cover - this includes cover (1), seal washer (2), click clack mechanism (3) and filter screen (4).



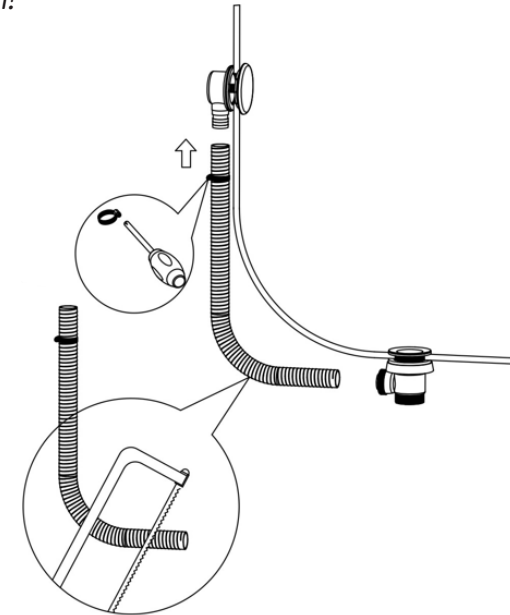
2. Unscrew the waste flange (5) and place silicone washer (6) over the hole on the bottom of the bath. Place waste flange (5) through the silicone washer (6) and the bath hole. Put rubber washer (7) over the bottom the of the waste flange (5) and screw on the waste body (9).



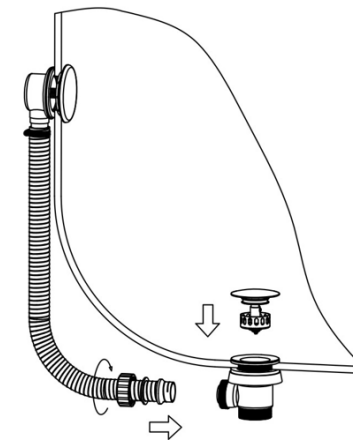
3. Place the overflow elbow (15) and rubber washer (16) on the back of the bathtub. Screw in the overflow plug (17) into the overflow elbow (15). Push on overflow cover (18).



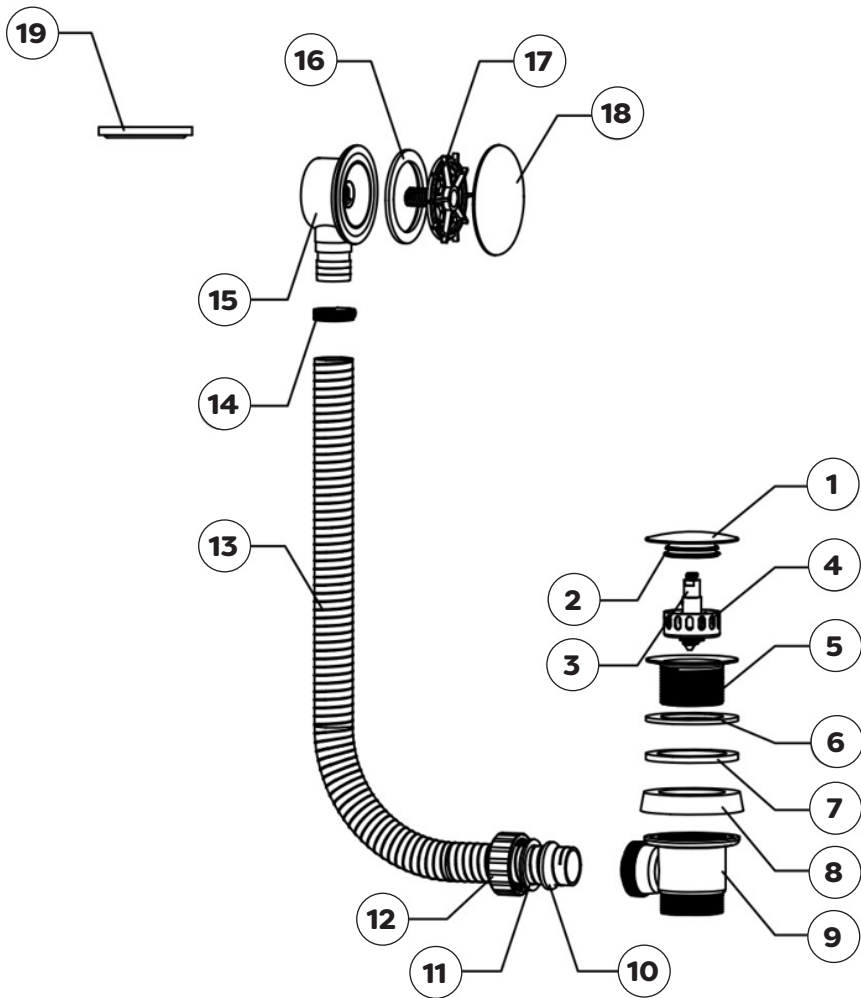
4. Cut PVC hose (13) to the required length and connect to the overflow elbow (15). Ensure that clamp (14) is used to secure the hose in place and tighten using a Phillips screwdriver. *Do not overtighten!*



5. Tighten plastic nut (12) onto the waste body (9) and replace cover (from Step 1)



6. Fill the bath with water and check all joints to ensure there are no leaks. This is the best done in stages starting with a small amount of water before fully filling the bath



WARNING!

We recommend that this product is installed by a qualified tradesperson and we accept no liability for products fitted incorrectly, and where the correct testing procedures have not been used, resulting in the escape of water.