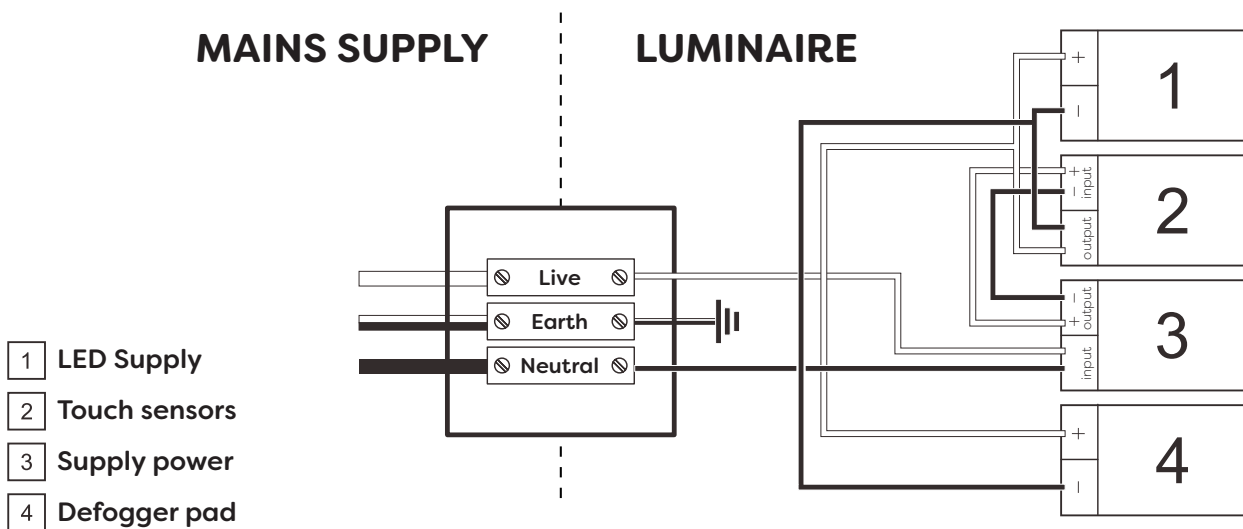


# Technical Details

## Schematic Diagram

### ARZIM06-BB

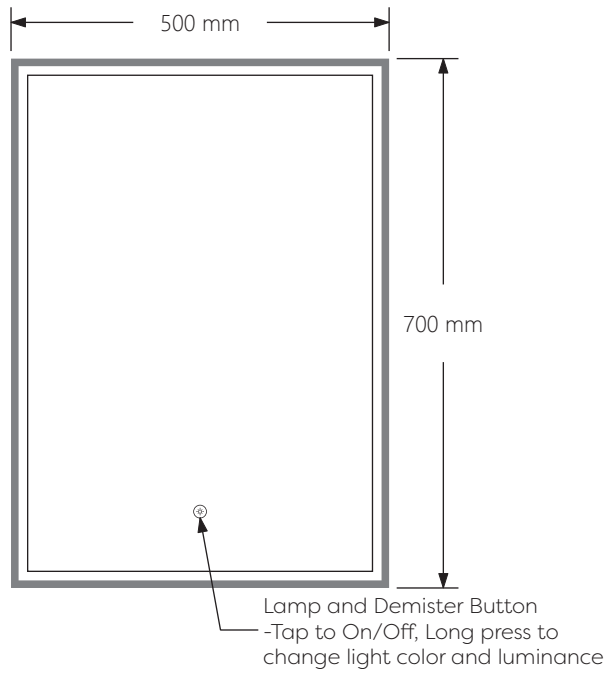


Mirror Weight (kg)	5.35kg
Mirror+Box Weight (kg)	7.25kg
Light Source	LED
Light source average span	50K HOURS
Total Rated Wattage (W)	27W
Lumens (Lm)	2525
Kelvins (K)	3000-6000K

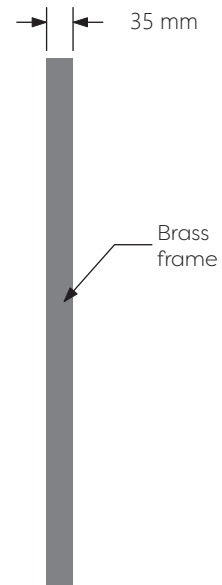
<b>FEATURES</b>
<b>TOUCH SWITCH</b>
<b>DEMISTER</b>
<b>DIMMING</b>
<b>COLOR CHANGE</b>
<b>BRASS FRAME</b>

# Technical Details

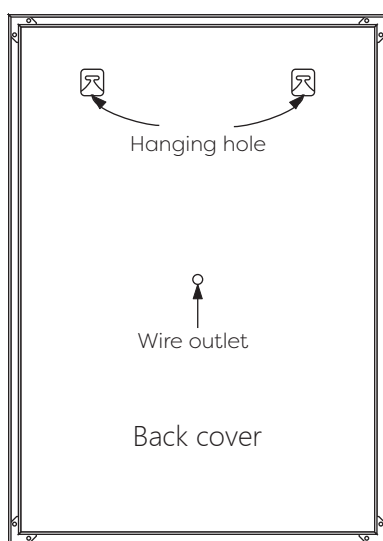
## Data Reference



Front view



Side view



Back view



Bottom view